

*Classic parts*

356 Classic Parts GmbH  
Hartmanns Au 12  
66119 Saarbrücken  
Tel.: (+49) 0681-851550  
Fax: (+49) 0681-855439  
Email: [hofmann@classic-parts.com](mailto:hofmann@classic-parts.com)  
Internet: [www.classic-parts.com](http://www.classic-parts.com)

spare parts for Porsche 356

Ust.Id.-Nr.: DE283246698

Bank details:  
Deutsche Bank Saar  
IBAN: DE 61 590 700 70 0 06 356 56 00  
BIC: DEUTDEDB595

---

**Dear 356-friend,**

we tried to offer the most common parts illustrated, all further parts are not illustrated due to the lack of space, but they might be available.

Please do not hesitate to contact us. Due to the large volume of telephone calls, we recommend to contact us via email or our contact form.

You can place your order very easily with the order form on our homepage. Furthermore, you can order via email or fax.

Moreover, you can look for spare parts with our parts number, the original Porsche number or with keywords. You can find our price list on the homepage as well.

**Have fun!**

---

Our business hours:

monday - thursday  
friday

8:00 am - 4:30 pm  
8:00 am - 3:00 pm

notice:

356 classic parts GmbH is not related to Porsche AG. The name „Porsche“, „Carrera“ or any other trademarks of Dr. Ing. h.c. Porsche AG are used for identification purpose only!

0201a	front hood, OEM, made in Germany	644 511 010 07	356 C
0201aa	hinge, front hood, left or right	644 511 031 00	356 A - C
0201ab	lock, upper part, front hood, complete	644 511 053 00	356 - B T6
0201ac	upper hood latch repair kit	CLP 511 053 01	356 - B T6
0201b	front hood	644 511 010 05	356 B T5
0201c	windshield center	644 503 017 00	356 A - B T5 coupe/cabrio
0202a	headlight bucket	644 631 151 00	alle 356
0202aa	extension pipe, headlight	644 631 182 00	356 B/C
0202b	water drain in headlamp bucket	644 025 612 00	356 B/C
0202c	nose panel, perfect reproduction, pressed in one piece, best quality	644 503 011 06	356 B T6/C
0202d	nose panel, perfect reproduction, pressed in one piece, best quality	644 503 011 05	356 B T5
0202da	nose panel, perfect reproduction, pressed in one piece, best quality	644 503 011 00	356 A
0202e	foglight bracket	644 631 021 05	356 B/C
0202f	hood latch mounting plate, (modification to C - model)	644 511 053 16	356 B T6/C
0202g	hood seal, very soft	644 511 901 06	all 356
0202h	corner piece for hood seal, 2 reg. Per car, stainless steel	644 511 911 00	356 A - C
0202ha	hood seal screw set incl. washers, 48-pieces	CLP 511 001 00	all 356
0202i	lower hood latch, zinc-plated	644 511 054 01	356 C
0202j	upper hood latch repair kit	CLP 511 053 02	356 C
0202k	latch spring	644 511 511 00	356 - B T6
0202l	latch spring	644 511 511 01	356 C
0202m	upper hood latch coil spring	644 511 512 01	356 C
0202n	weld nut for headlight attachment	999 505 103 00	all 356
0202o	front hood locking system	644 511 054 00	356 - B T6
0202p	upper lock for front hood, yellow zinc-plated	644 511 053 01	356 C, 911



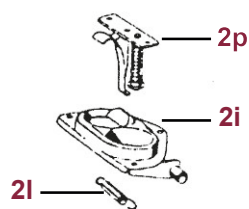
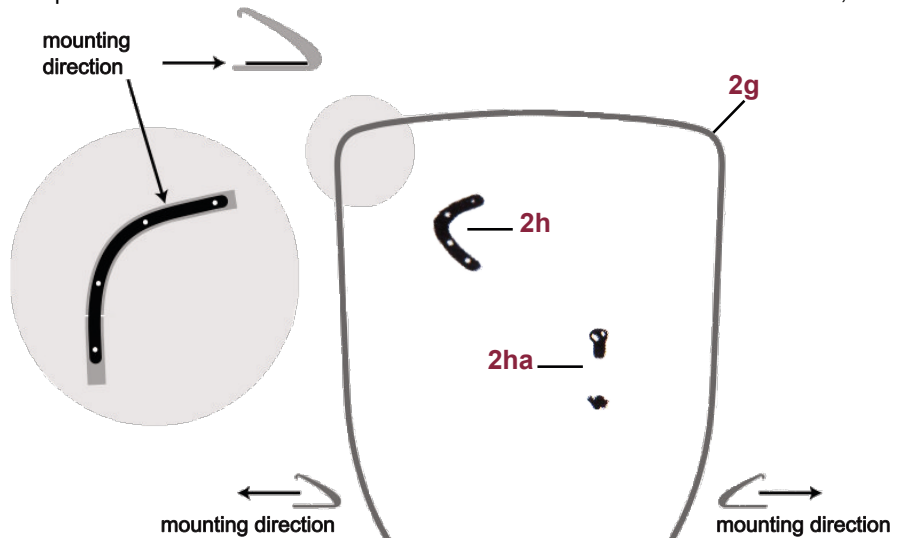
2da



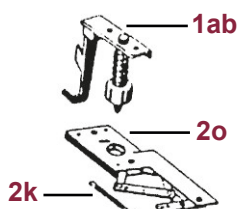
2d



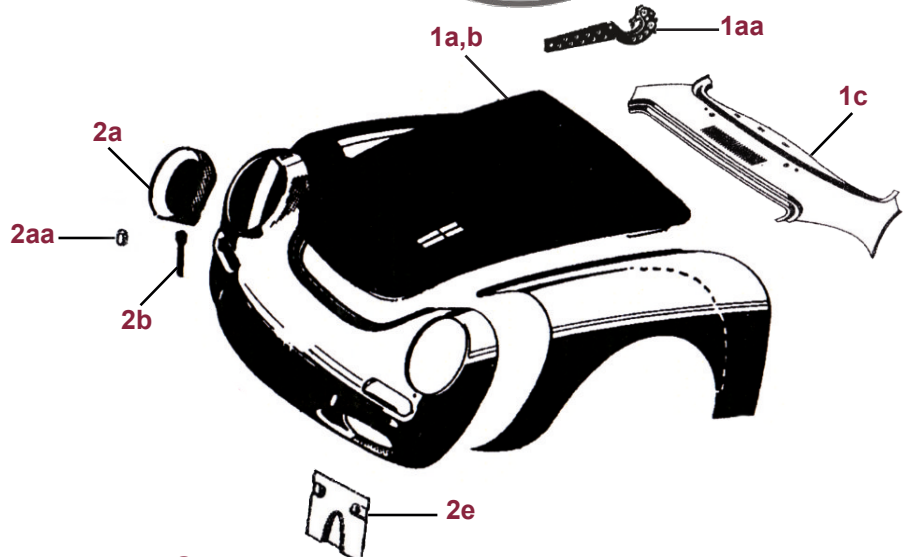
2c



356C

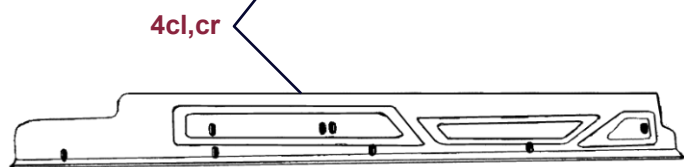
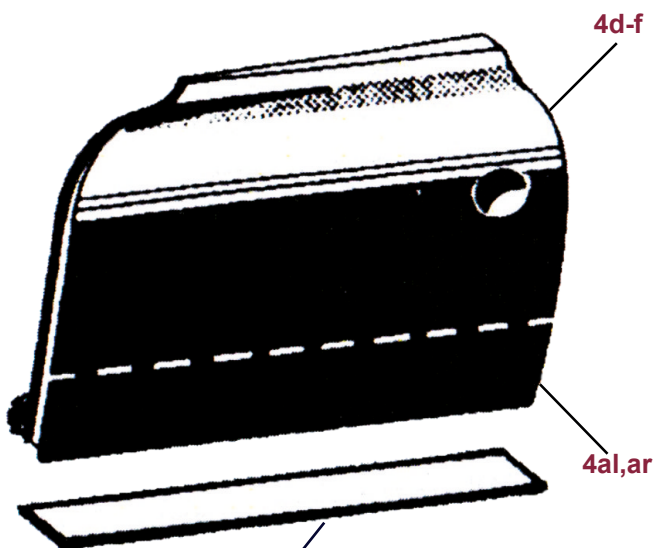
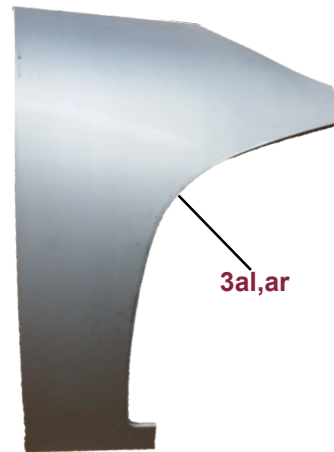
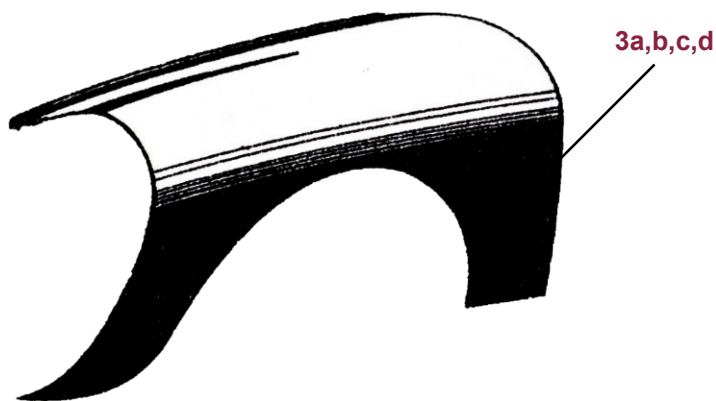


356 - 356 B

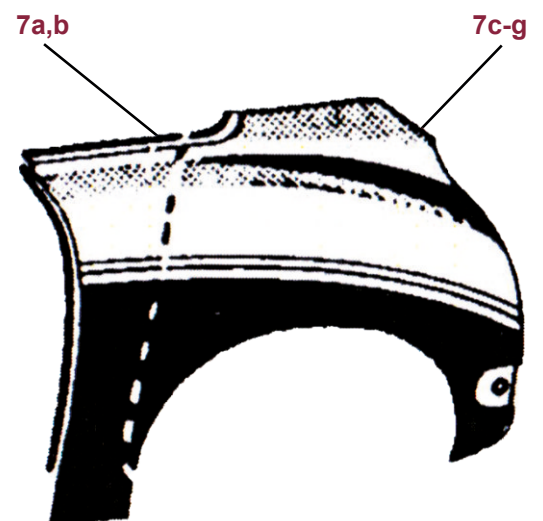
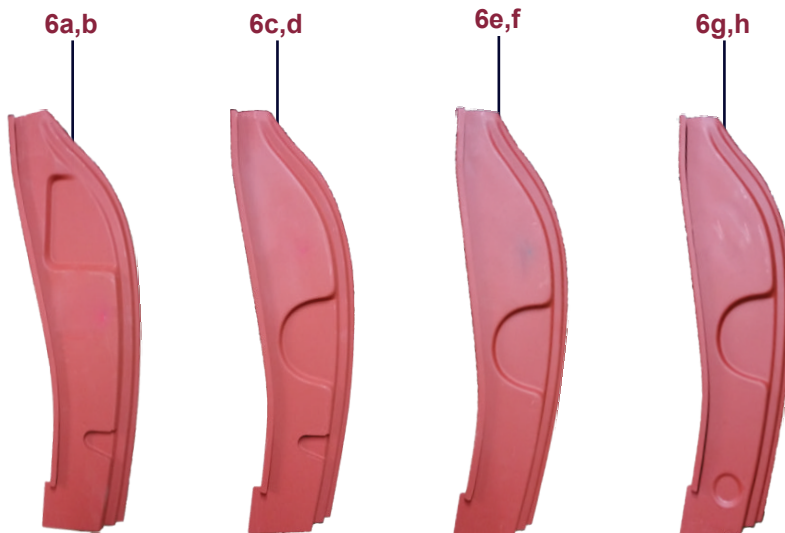
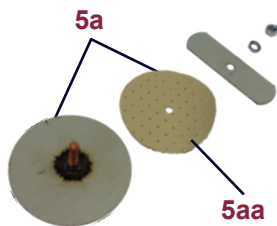




0203a	front fender, left, pressed in one piece, best quality	644 503 033 05	356 B T5
0203al	repair panel of front fender, left	CLP 503 033 00	all 356
0203ar	repair panel of front fender, right	CLP 503 034 00	all 356
0203b	front fender, right, pressed in one piece, best quality	644 503 034 05	356 B T5
0203c	front fender, left, pressed in one piece, best quality	644 503 033 06	356 B T6/C
0203d	front fender, right, pressed in one piece, incl. tank cup, best quality	644 503 034 06	356 B T6/C
0204al	repair panel for lower door skin, left	CLP 531 023 00	all 356
0204ar	repair panel for lower door skin, right	CLP 531 024 00	all 356
0204bl	door bottom, left	CLP 531 025 00	356 - early B T6
0204br	door bottom, right	CLP 531 026 00	356 - early B T6
0204c	shell door, right, complete with hinges	644 531 004 26	356 A T2 - C cabrio
0204cl	door bottom, left	CLP 531 025 06	late 356 B T6 - C
0204cr	door bottom, right	CLP 531 026 06	late 356 B T6 - C
0204d	shell door, left, complete with hinges	644 531 003 26	356 A T2 - C cabrio
0204e	shell door, right, complete with hinges	644 531 004 05	356 A T2 - C coupe
0204f	shell door, left, complete with hinges	644 531 003 05	356 A T2 - C coupe
0204g	door skin, left, best quality	CLP 531 003 05	356 A T2 - C coupe
0204h	door skin, right, best quality	CLP 531 004 05	356 A T2 - C coupe
0204i	door skin, left, best quality	CLP 531 003 26	356 A T2 - C cabrio
0204j	door skin, right, best quality	CLP 531 004 26	356 A T2 - C cabrio
0204k	inner door frame, with hinges and bottom, right	CLP 531 004 XX	356 A T2 - early B T6
0204l	inner door frame, with hinges and bottom, left	CLP 531 003 XX	356 A T2 - early B T6



0305a	cover for torsion bar hole, compl. with fastening plate	644 504 079 00	all 356
0305aa	base gasket for torsion bar hole	644 504 079 01	all 356
0305b	rocker panel, left	356 51 323	356 pre A
0305c	rocker panel, right	356 51 324	356 pre A
0305d	rocker panel, left	644 503 041 00	356 A - C
0305e	rocker panel, right	644 503 042 00	356 A - C
0306a	lockpost, left, 5-hole high striker, coupe, no. 5001 - 101692	644 502 041 00	356 - A T1
0306b	lockpost, right, 5-hole high striker, coupe, no. 5001 - 101692	644 502 042 00	356 - A T1
0306c	lockpost, left, 3-hole low striker	644 502 041 01	356 A T2
0306d	lockpost, right, 3-hole low striker	644 502 042 01	356 A T2
0306e	lockpost, left, 3-hole low striker	644 502 041 05	late 356 A - B T5
0306f	lockpost, right, 3-hole low striker	644 502 042 05	late 356 A - B T5
0306g	lockpost, left, 3-hole low striker	644 502 041 06	356 B T6/C
0306h	lockpost, right, 3-hole low striker	644 502 042 06	356 B T6/C
0307a	quarter panel repair panel, rear left	CLP 503 061 xx	all 356
0307b	quarter panel repair panel, rear right	CLP 503 062 xx	all 356
0307cl	rear quarter panel, left	644 503 061 25	356 B/C cabrio
0307cr	rear quarter panel, right	644 503 062 25	356 B/C cabrio
0307d	rear quarter panel, left	644 503 061 05	356 B T5 coupe
0307e	rear quarter panel, right	644 503 062 05	356 B T5 coupe
0307f	rear quarter panel, left, reproduction	644 503 061 06	356 B T6/C coupe
0307g	rear quarter panel, right, reproduction	644 503 062 06	356 B T6/C coupe



0309	decklid cover, rear	644 512 001 06	356 B T6/C coupe
0309a	rear decklid upper latch	356 52 075 1	356 A
0309b	rear decklid upper latch	644 512 511 01	356 B T5
0309c	rear decklid upper latch	644 512 511 06	356 B T6/C
0309d	lock, engine lid, lower part	644 512 052 01/06	356 A T2 - C
0309e	lock, engine lid, lower part	356 52 075 02	356 - A T1
0310	rear tail skin, pressed in one piece, best quality	644 503 081 05	356 B T5 coupe
0311	rear tail skin, pressed in one piece, best quality	644 503 081 06	356 B T6/C coupe
0311a	repair panel for tail, missing 20 mm on the upper edge	CLP 503 081 06	356 B T6/C coupe
0312	rear tail skin, pressed in one piece, best quality	644 503 081 25	356 B/C cabrio
0313	rear tail skin, pressed in one piece, best quality	CLP 503 081 00	356 A coupe
0315	decklid cover, rear, aluminium	644 512 001 10	356 GT coupe 1959 - 1961
0315a	skin for rear lid, with 5 or 6 louvers, aluminium	CLP 512 001 10	356 A - B T5 coupe
0315b	skin for rear lid, with 5 or 6 louvers, aluminium	CLP 512 001 41	356 A speedster
0315d	door, aluminium, please specify model without illustration	644 531 03/004 10	356 A - B coupe GT version
0315e	front hood, aluminium, please specify model without illustration	644 511 010 15	356 A - B coupe GT version
0315f	intake funnel for „Solex“- carburators, without illustration	644 512 041/042 10	356 A - B T5 GT version
0316	upper cover over dashboard, aluminium without lining	644 552 033 16	356 B GT
0317	rollbar, without studs	644 803 021 45	356 A/B GT



9a



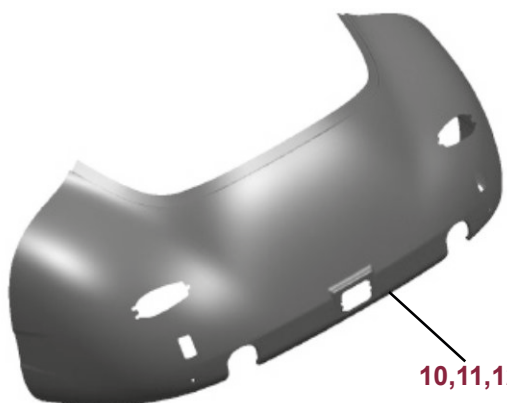
9b



9c



9d,e



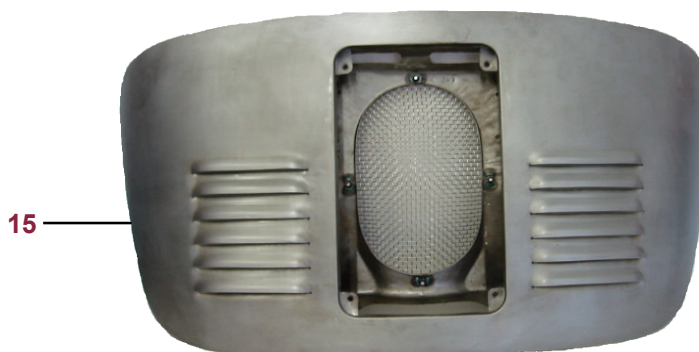
10,11,12



15a,b



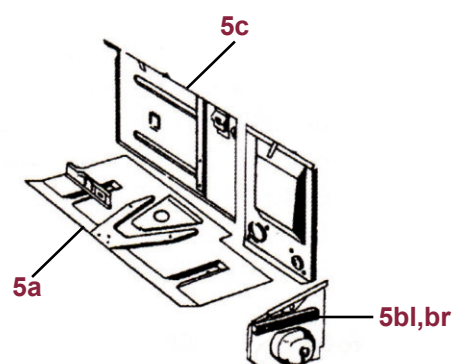
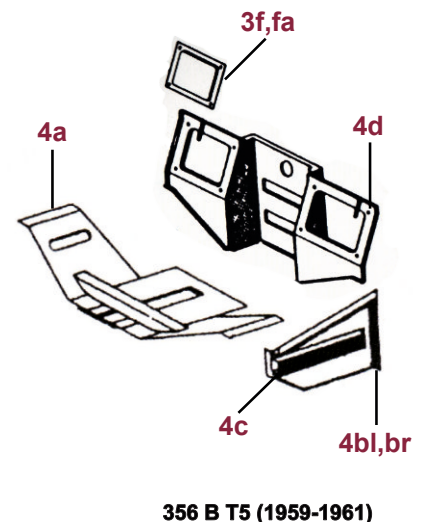
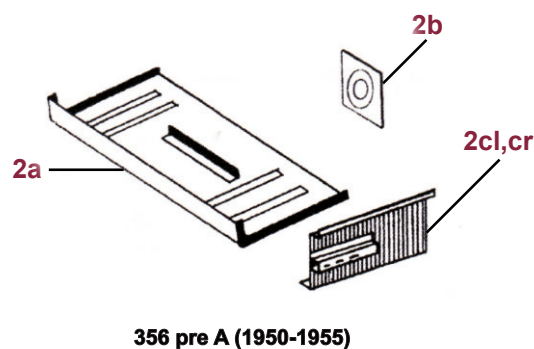
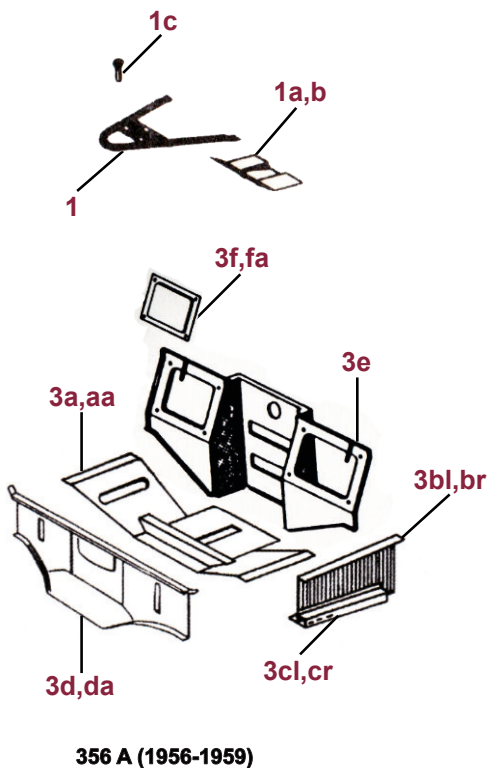
17



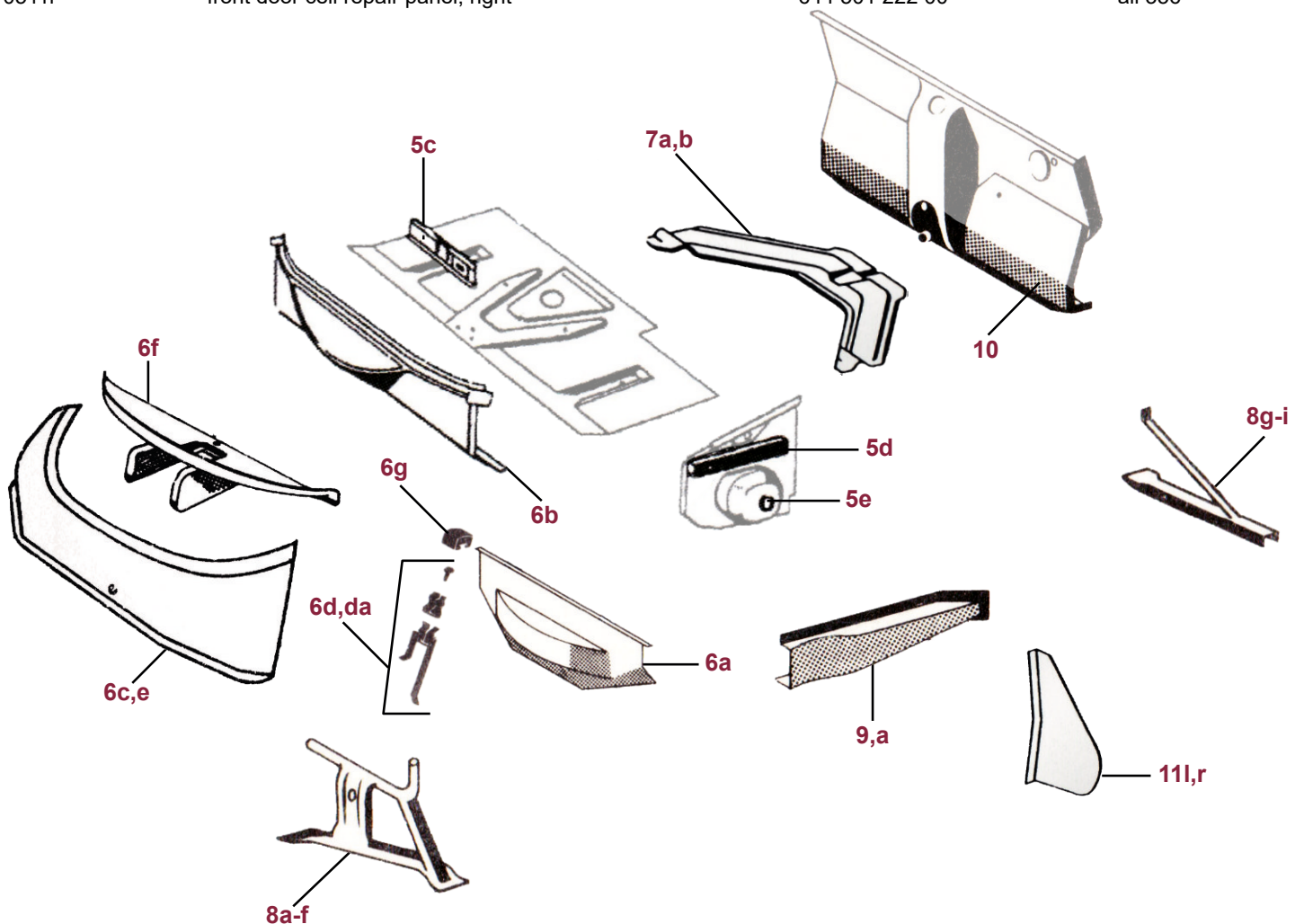
15



0401	tow hook	644 506 001 00	356 A T2 - C
0401a	tow hook plate	CLP 506 052 00	356 A - B T5
0401b	tow hook plate	CLP 506 050 06	356 B T6/C
0401c	rivet set for tow hook, (5 pieces)	900 055 015 00	356 A - C
0402a	battery box floor	644 501 037 00	356 pre A
0402b	rear battery box wall, pair for left and right	644 501 036 00	356 pre A
0402cl	battery box side, left	356 49 431	356 pre A
0402cr	battery box side, right	356 49 432	356 Vor A
0403a	battery box floor	644 501 037 01	356 A T1
0403aa	battery box floor	644 501 037 02	356 A T2
0403bl	battery box side, left	644 501 033 00	356 A
0403br	battery box side, right	644 501 034 00	356 A
0403cl	bumper bracket mount, left	644 501 327 00	356 A
0403cr	bumper bracket mount, right	644 501 328 00	356 A
0403d	bulkhead for battery box	644 501 031 01	356 A T2
0403da	bulkhead for battery box	644 501 031 00	356 A T1
0403e	rear wall for battery box	644 501 032 00	356 A
0403f	cover for rear wall of battery box, 2 required	644 504 521 10	356 A - B T5
0403fa	cover for rear wall of battery box, aluminium, 2 required	644 504 521 15	356 A/B T5 Carrera GT
0403g	drain cup for battery box and floor	CLP 501 037 XX	356 - A T1
			550 Spyder - VIN 0028
0404a	battery box floor	644 501 037 05	356 B T5
0404bl	battery box side, left	644 501 033 05	356 B T5
0404br	battery box side, right	644 501 034 05	356 B T5
0404c	bumper bracket mount, left or right	644 501 039 05	356 B T5
0404d	rear wall for battery box	644 501 032 05	356 B T5
0405a	battery box floor,	644 501 037 06	356 B T6/C
0405bl	battery box side, left with cup	644 501 033 06	356 B T6/C
0405br	battery box side, right	644 501 034 06	356 B T6/C
0405c	rear wall for battery box	644 501 032 06	356 B T6/C

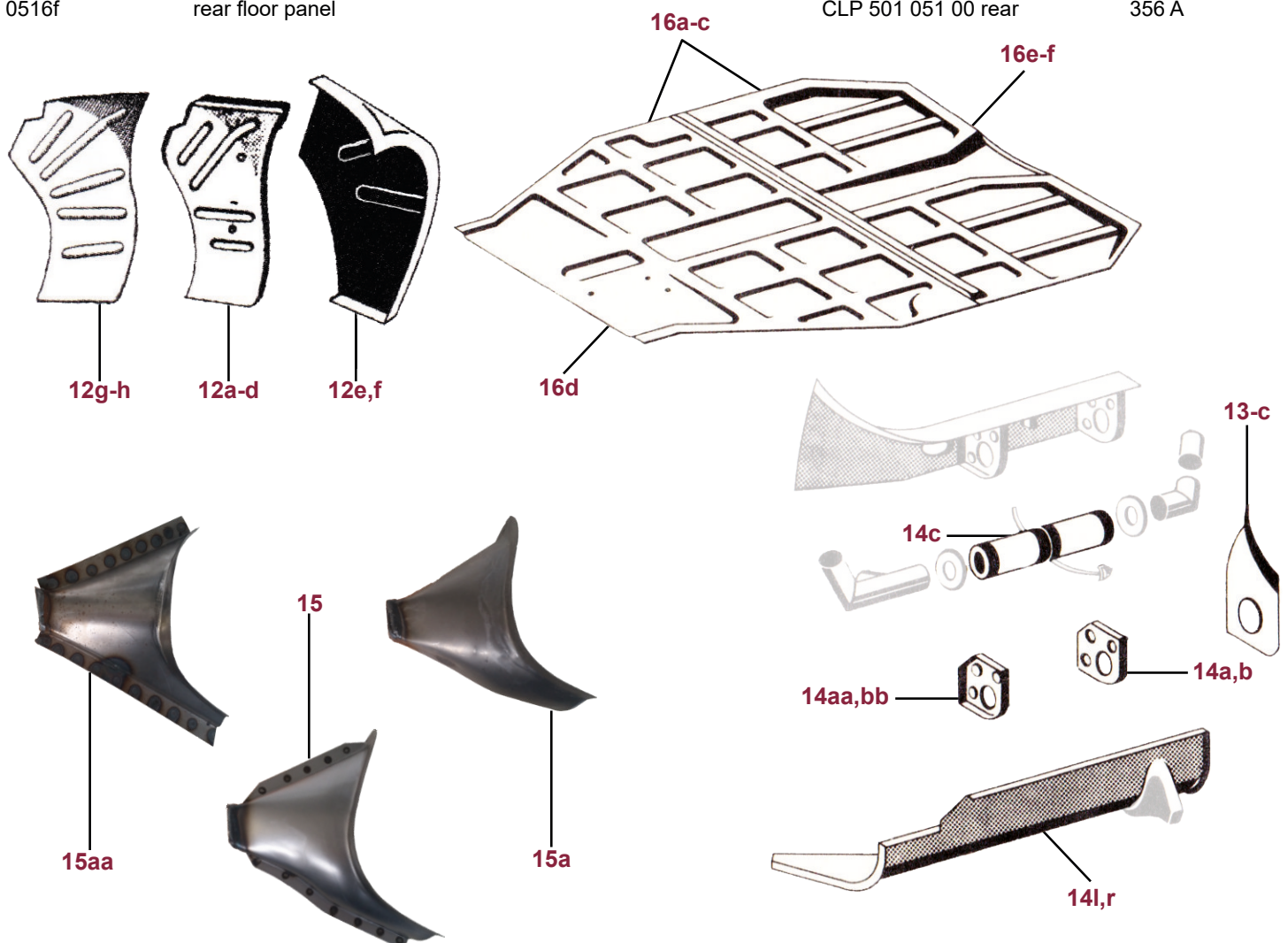


0505c	battery bracket	644 501 037 07	356 B T6/C
0505d	bumper bracket mount, left or right	644 505 039 05	356 B T6/C
0505e	bulkhead rubber plug	644 572 961 00	356 B T6/C
0506a	front panel for battery box	644 501 031 05	356 B T5
0506b	front panel for battery box	644 501 031 06	356 B T6/C
0506c	front interior panel, trunk	644 502 101 05	356 A - B T5
0506d	bracket for jack in the battery box, 2 required	644 501 093 00	356 A
0506da	bracket for jack in the battery box, 2 required	644 501 093 05	356 B T5
0506e	interior panel, front compartment	644 502 101 06	356 B T6/C
0506f	lock post with covering plate, complete	644 502 050 00	356 C
0506g	rubber pad for jacks support, 2 required	644 501 915 00	356 A - B T5
0506h	top pad for jack, early „Bilstein“ jacks	644 722 201 10 o.	356 B T6/C,
		644 722 010 99	911/912
0507a	diagonal member, 2 pieces	CLP 501 441 00	356 pre A
0507b	diagonal member	644 501 441 06	356 A - C
0508a	front fender brace, left	644 501 095 00	356 - A
0508b	front fender brace, right	644 501 096 00	356 - A
0508c	front fender brace, left	644 501 095 05	356 B T5
0508d	front fender brace, right	644 501 096 05	356 B T5
0508e	front fender brace, left	644 501 095 06	356 B T6/C
0508f	front fender brace, right	644 501 096 06	356 B T6/C
0508gl	rear fender brace, left	644 501 097 00	356 - A
0508gr	rear fender brace, right	644 501 098 00	356 - A
0508h	rear fender brace, left or right	644 501 097 05	356 B/C
0508i	front fender brace, left or right	644 501 095/096 11	356 B/C Carrera 2
0509	front strut reinforcement, left	644 501 417 00	356 A - C
0509a	front strut reinforcement, right	644 501 418 00	356 A - C
0510	toeboard bulkhead repair panel	CLP 501 041 05	356 A - C
0511l	front door cell repair panel, left	644 501 221 00	all 356
0511r	front door cell repair panel, right	644 501 222 00	all 356

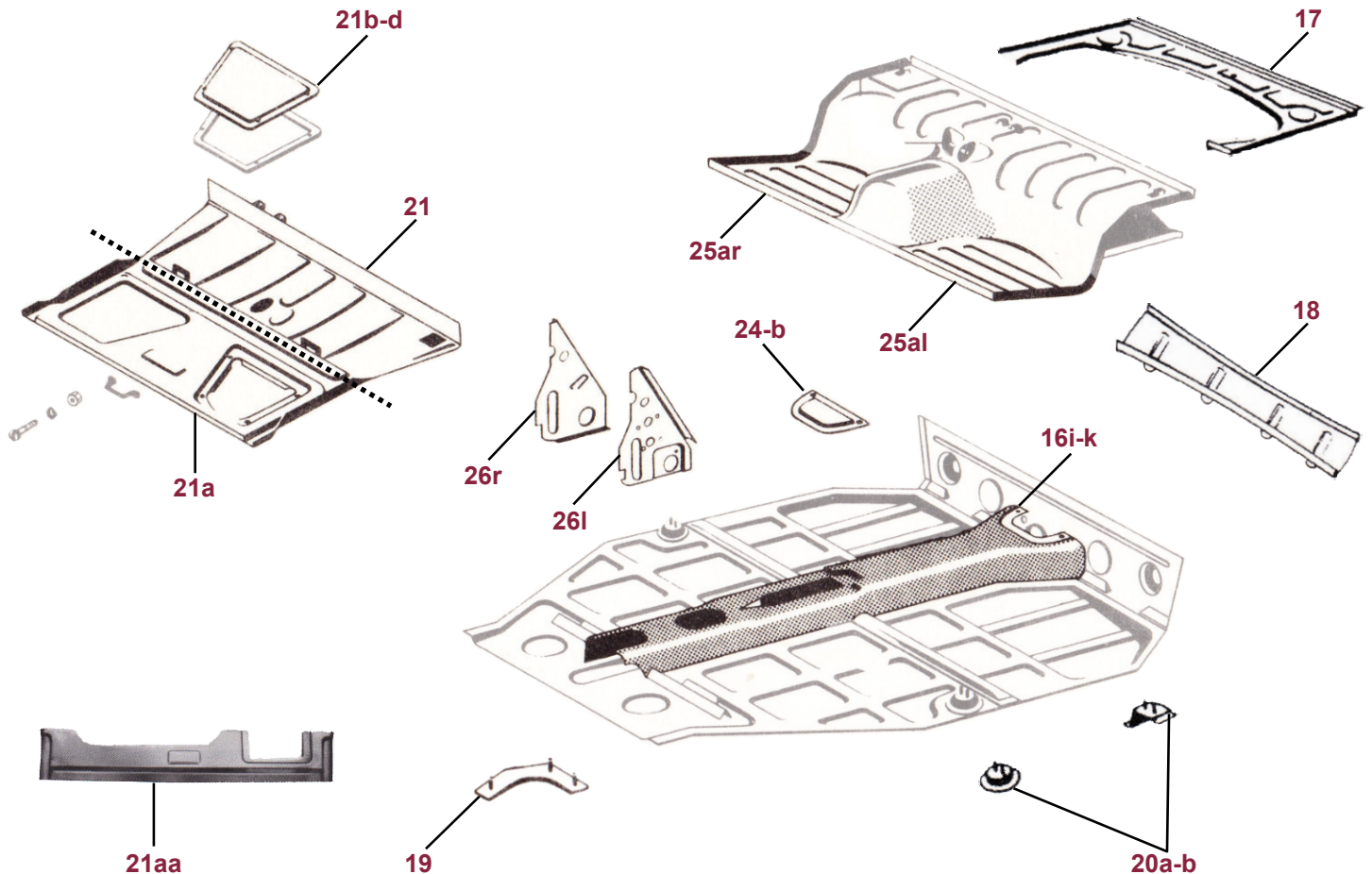




0512a	front closing panel, left, 4 ribs	644 502 017 00	356 A T2 - B T5
0512b	front closing panel, right, 4 ribs	644 502 018 00	356 A T2 - B T5
0512c	front closing panel, left, 4 ribs	644 502 017 06	356 B T6/C
0512d	front closing panel, right, 4 ribs	644 502 018 06	356 B T6/C
0512e	front closing panel, left, 2 ribs	644 502 111 00	356 pre A
0512f	front closing panel, right, 2 ribs	644 502 112 00	356 pre A
0512g	front closing panel, left, 5 ribs	644 502 015 00	356 A T1
0512h	front closing panel, right, 5 ribs	644 502 016 00	356 A T1
0513	rear closing panel, left	644 501 141 00	356 - B T5
0513a	rear closing panel, right	644 501 142 00	356 - B T5
0513b	rear closing panel, left	644 501 141 05	356 B T6/C
0513c	rear closing panel, right	644 501 142 05	356 B T6/C
0514a	reinforcement plate longitudinal, rear left or front right	644 501 061 00	356 - B T5
0514aa	reinforcement plate longitudinal, front left or rear right	644 501 062 00	356 - B T5
0514b	reinforcement plate longitudinal, rear left or front right	644 501 061 06	356 B T6/C
0514bb	reinforcement plate longitudinal, front left or rear right	644 501 062 06	356 B T6/C
0514c	sound absorber in longitudinal	644 572 201 05	356 B/C
0514l	longitudinal, left, without jack receiver	644 501 017 05	all 356
0514r	longitudinal, right, without jack receiver	644 501 018 05	all 356
0515	jack receiver	644 501 045 00	356 A - B T6
0515a	jack receiver	644 501 150 07	356 C
0515aa	jack receiver	356 49 019	356 pre A
0516a	complete floor pan, 2 pieces (crash box), up to May 1952	CLP 501 051 00	356 pre A
0516aa	complete floor pan, 2 pieces, from May 1952 - 1955	CLP 501 051 00	356 pre A
0516b	complete floor pan, 2 pieces	CLP 501 051 00	356 A T1
0516bb	complete floor pan, 2 pieces	CLP 501 051 02	356 A T2
0516c	complete floor pan, 2 pieces	644 501 051 05	356 B T5 - C
0516d	front floor panel, specify model	CLP 501 051 00 front	specify model
0516e	rear floor panel, specify model	CLP 501 051 00 rear	specify model
0516f	rear floor panel	CLP 501 051 00 rear	356 A

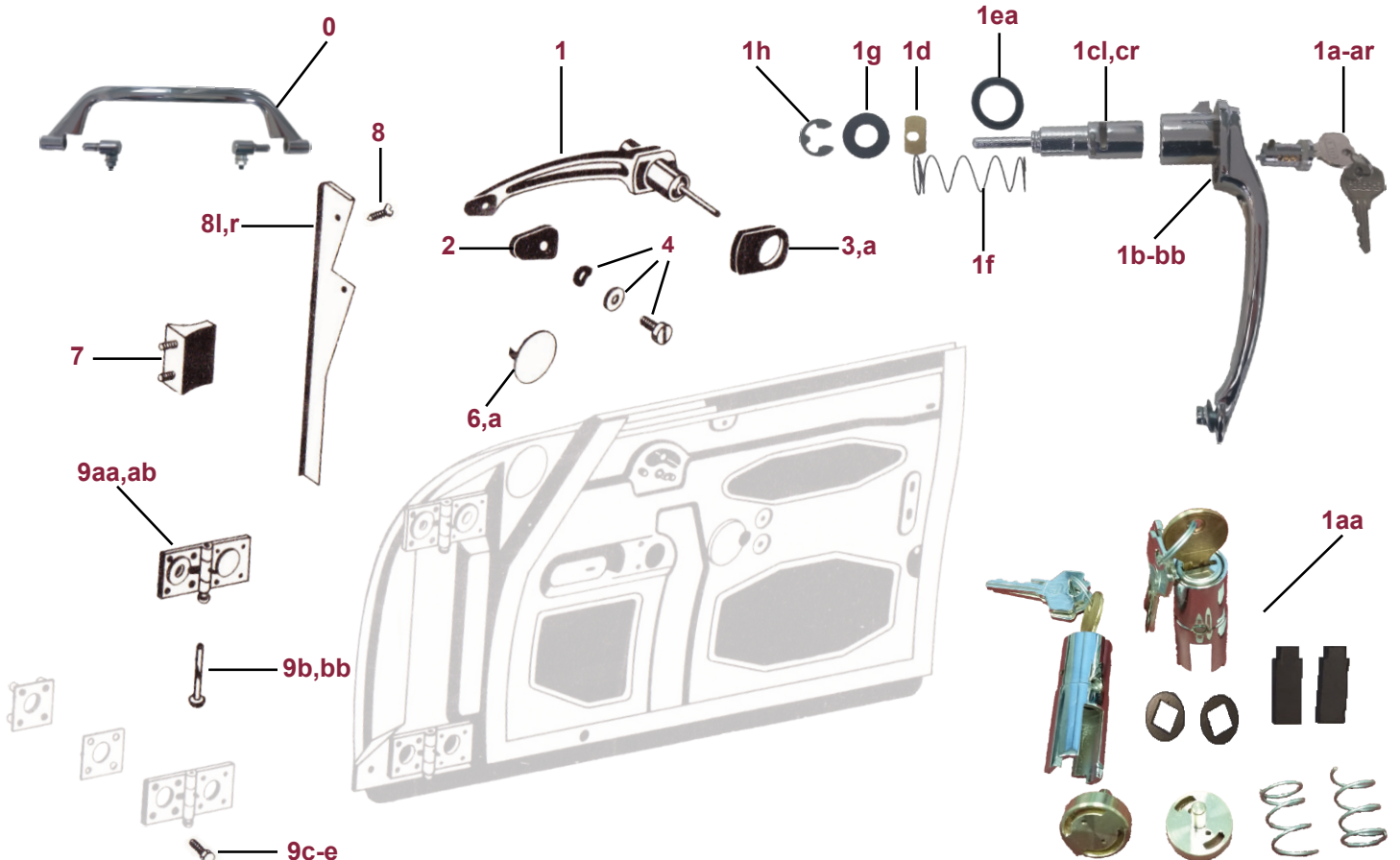


0516g	tunnel, complete	356 49 003	356 pre A
0516h	tunnel, complete	356 049 004	356 A T1
0516i	tunnel, complete	356 049 005	356 A T2
0516j	tunnel, complete	CLP 49 006	356 B T5
0516k	tunnel, complete		356 B T6/C
0517	covering engine compartment	644 501 081 07	356 A - C
0517a	guide rail for engine ducting seal, set for 1 car		356 A
0518	heat shield	644 501 080 00	356 B/C
0519	reinforcement plate for foot pedal system	644 501 055 00	356 A - C
0520a	seat mount set complete, set of 6 pieces	CLP 501 054 00	356 A T2 - B T5
0520aa	seat mount set complete, set of 4 pieces	CLP 505 014 00	356 pre A
0520ab	seat mount set complete, set of 6 pieces	CLP 501 014 01	356 A T1
0520b	seat mount set complete, set of 6 pieces	CLP 501 014 06	356 B T6/C
0521	repair panel for floor, fuel tank compartment	CLP 501 035 00 rear	356 - B T5
0521a	VIN plate repair panel, specify VIN	CLP 501 035 00 front	356 - B T5
0521aa	VIN plate repair panel	CLP 501 035 / 037 07	356 B T6/C
0521b	cover for steering compartment, LHD	644 504 501 01	356 - B T5
0521c	cover for steering compartment, LHD	644 504 501 03	356 B T6
0521d	cover for steering compartment, LHD	644 504 501 07	356 C
0522	hingeplate reinforcement, left	644 501 211 00	356 A T1 - B T5
0522a	hingeplate reinforcement, right	644 501 212 00	356 A T1 - B T5
0522b	hingeplate reinforcement, left	644 501 211 05	356 B T6/C
0522c	hingeplate reinforcement, right	644 501 212 05	356 B T6/C
0523	repair panel below speaker, left	CLP 501 023 00	356 A T1 - C
0523a	repair panel below speaker, right	CLP 501 024 00	356 A T1 - C
0524	cover for rear gear shift bearing, without lining	644 504 730 00	356 - A T1
0524a	cover for rear gear shift bearing, without lining	644 504 730 05	356 B T5
0524b	cover for rear gear shift bearing, without lining	644 504 730 06	356 B T6/C
0524c	cover for rear gear shift bearing, without lining, aluminium	644 504 730 10	356 A T2
0525	rear seat repair panel, set for left and right	CLP 501 072/073 00	356 pre A
0525al	repair panel for back seat floor, 2 ribs, left	CLP 501 073 16	356 B - C
0525ar	repair panel for back seat floor, 2 ribs, right	CLP 501 072 16	356 B - C
0526l	pedal board rest, left	644 501 047 06	356 A - C
0526r	pedal board rest, right	644 501 048 06	356 A - C



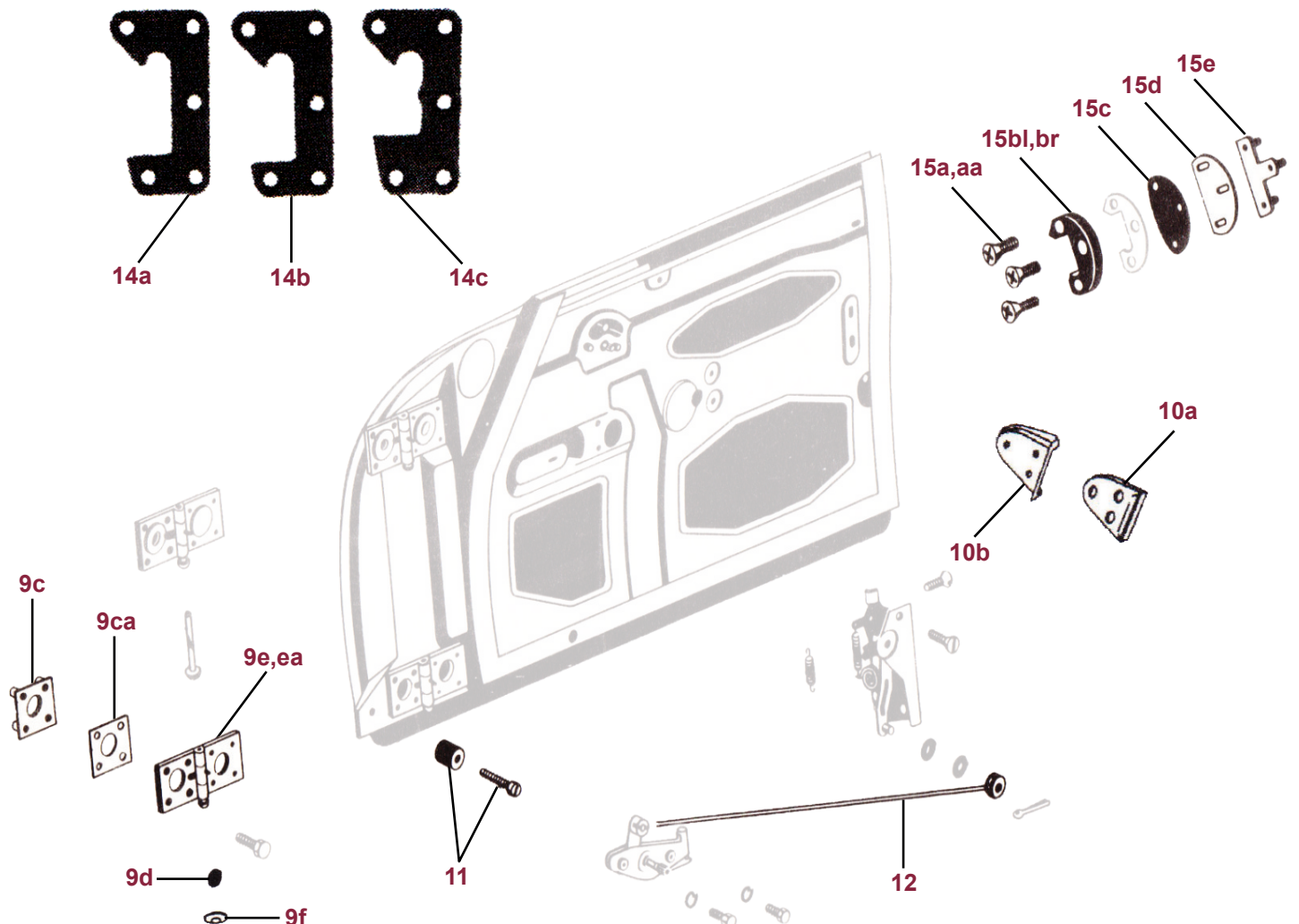
- 0600 inner door closing handle, chrome plated, complete with hardware, left or right
- 0601 complete door handle assembly, matched pair
- 0601a lock cylinders with keys, pair of left and right
- 0601aa lock cylinders with keys, pair of left and right
- 0601al lock cylinder, with 2 keys, left
- 0601ar lock cylinder, with 2 keys, right
- 0601b door handle, casting, chrome plated, left or right
- 0601bb door handle, casting, chrome plated, left or right
- 0601cl lock cylinder receiver, casting, chrome plated, left
- 0601cr lock cylinder receiver, casting, chrome plated, right
- 0601d locking piece
- 0601ea lock receiver seal for door handle
- 0601f spring for lock receiver
- 0601g washer for lock receiver
- 0601h retaining clip for lock receiver
- 0601i nylon collar for door lock
- 0602 small door handle gasket
- 0603 large 'square' door handle gasket
- 0603a large door handle gasket
- 0604 screw and washer for door handle
- 0606 mirror access cover, silver painted
- 0606a mirror access cover, black painted
- 0607 door stop rubber wedge, except GT version
- 0608 screw set for hinge cover, left or right
- 0608l hinge cover, aluminium, left
- 0608r hinge cover, aluminium, right
- 0609aa upper door hinge with pin, left
- 0609ab upper door hinge with pin, right
- 0609b hinge pin, specify if top or bottom
- 0609bb hinge pin, oversize, specify if top or bottom
- 0609c hex. bolt M8x25, DIN 931, SW 14, with „NSF“-script
- 0609d hex. bolt M8x20, DIN 933, SW 14, with „NSF“-script
- 0609e hex. bolt M8x30, DIN 931, SW 14
- 0609f hex. nut M8, SW 14

- 644 531 621 00 356 A/B
- 644 531 061 01 356 A T2 - C
- CLP 531 650 00 356 A T2 - C
- CLP 531 650 00 356 - A T1
- 644 531 651 01 356 A T2 - C
- 644 531 652 01 356 A T2 - C
- 644 531 061 01 356 A T2 - C
- CLP 531 061 00 356 - A T1
- CLP 531 067 00 356 A T2 - C
- CLP 531 068 00 356 A T2 - C
- 644 531 608 01 356 A T2 - C
- 644 531 607 00 356 A T2 - C
- 644 531 605 01 356 A T2 - C
- 644 531 606 01 356 A T2 - C
- 900 116 006 01 356 A T2 - C
- CLP 531 607 01 356 A T2 - C
- 644 531 632 00 all 356
- 644 531 006 00 356 - A T1
- 644 531 631 01 356 A T2 - C
- 900 015 005 02 356 A T2 - C
- 644 504 761 00 356 A - B T5
- 644 504 761 01 356 B T6/C
- 644 531 035 00 356 A T2 - C
- CLP 531 004 00 all 356
- 644 531 331 00 all 356
- 644 531 332 00 all 356
- 644 531 031 04 all 356
- 644 531 032 04 all 356
- 644 531 305 00 all 356
- CLP 531 305 00 all 356
- 900 075 029 02 all 356
- 900 075 027 02 all 356
- 900 074 081 01 all 356
- 900 076 013 02 all 356

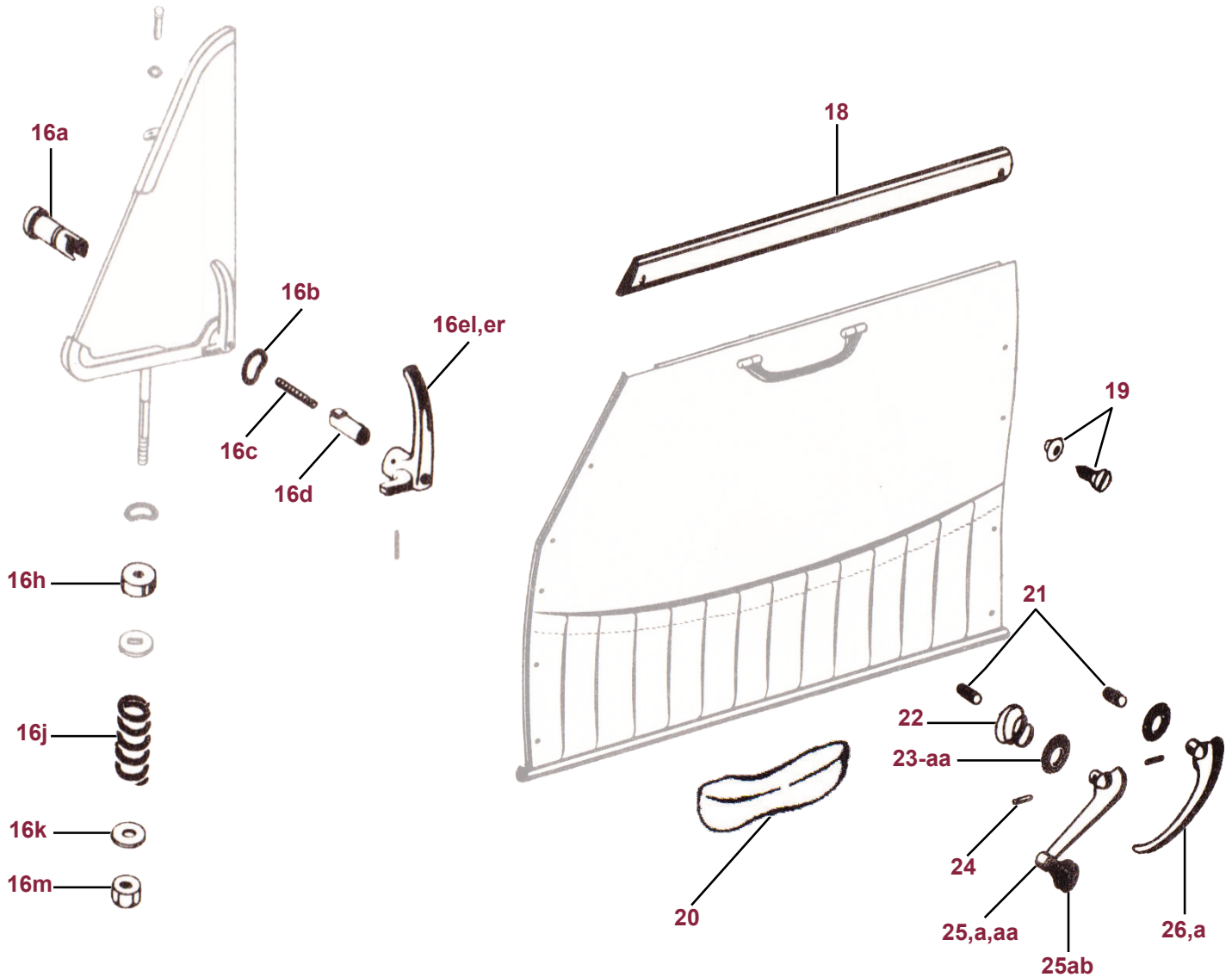




0709c	threaded plate, door hinge	644 531 310 00	all 356
0709ca	base plate for door hinge	644 531 321 00	all 356
0709d	light switch buffer plug	644 531 309 00	all 356
0709e	lower door hinge with pin, left	644 531 033 04	all 356
0709ea	lower door hinge with pin, right	644 531 034 04	all 356
0709eb	grease nipple for hinge pin	644 531 305 00	356 - B
0709f	plug for lower hinge pin hole in the step plate	644 531 308 00	all 356
0710a	rubber door wedge, left or right	644 531 751 00	356 - A
0710aa	screw set for rubber door wedge, one set per side	CLP 531 100 00	356 - A
0710b	wedge receiver on lockpost, aluminium	644 531 755 00	356 - A
0710bb	screw set for wedge receiver, one set per side	CLP 531 101 00	356 - A
0711	door stop buffer, with screw	644 531 741 00	356 - A
0712	pull cable for door latch, left or right	644 531 561 01	356 A T2 - C
0714	threaded reinforcement plate for all 5-hole strikers	644 531 711 00	356 - A T1
0714a	striker 5-hole for coupe 5001-11360, cabrio 5001-10269	356 52 206	356 pre A
0714b	striker 5-hole for coupe 11361-53288, cabrio 10270-60779 and Speedster 80001-82000	644 52 206	356 A T1
0714c	striker 5-hole for coupe 53289-101692, cabrio 60780-150000 und Speedster 82001-83791	644 531 701 00	356 A T1
0714d	screw set for strikers, 10 pieces, one set per car, zinc plated	CLP 531 009 00, 900 147 001 02	356 - A T1
0714e	shim under striker 0714c, stainless	644 531 701 xx	356 A T1
0715a	screw set for strikers, 6 pieces, one set per car, zinc plated	CLP 531 005 00	356 A T2 - C
0715aa	screw for striker	CLP 531 005 00	356 A T2 - C
0715bl	striker with metal backing plate, left	644 531 701 01	356 A T2 - C
0715br	striker with metal backing plate, right	644 531 702 01	356 A T2 - C
0715c	fiber shim under striker, quantity as required	644 531 723 00	356 A T2 - C
0715d	reinforcing plate for striker, zinc plated	644 531 713 00	356 A T2 - C
0715e	threaded plate for striker, zinc plated	644 531 710 01	356 A T2 - C



0716a	special bolt, left or right, chrome plated	644 542 558 00	356 A T2 - C
0716aa	upper bearing part for vent window, chrome plated	644 542 621 26	356 B T6/C
0716b	shim washer, quantity as required	644 542 556 00	356 A T2 - C
0716c	trust spring for turnbuckle	644 542 555 00	356 A T2 - C
0716d	release button, chrome plated	644 542 559 06	356 A T2 - C
0716el	turnbuckle for vent wing, left	644 542 551 20	356 A T2 - C
0716er	turnbuckle for vent wing, right	644 542 552 20	356 A T2 - C
0716h	thrust washer, fiber	644 542 563 00	356 A T2 - C
0716j	thrust spring	644 542 565 00	356 A T2 - C
0716k	guide shim	644 542 567 00	356 A T2 - C
0716m	hex. nut, self locking	N 021 196 1	356 A T2 - C
0718	inside door top trim, used, specify model	644 531 433/434 20	356 A - C
0719	door panel screws and washers, 64 pieces, set for one car, zinc plated	CLP 531 003 00	all 356
0720	wood arm rest set, pair for left and right, no lining	CLP 555 043 00	356 C
0720a	plate for arm rest, left or right, 2 per side required	644 555 305 00	356 C
0721	rubber plug, 4 required, only 2 for speedster and GT	644 531 691 00	all 356
0722	window crank spring, 2 required	644 542 473 00	all 356
0723	escutcheon for inner door an window crank handle, tan	644 552 891 01	356 A T2
0723a	escutcheon for inner door an window crank handle, black	644 552 891 02	356 B/C
0723aa	escutcheon for inner door an window crank handle, green/tan	644 552 891 00	356 - A T1
0724	roll pin for handles	900 091 001 00	all 356
0725	window crank, chrome with black knob	644 542 470 01	356 B/C
0725a	window crank, chrome with tan knob	CLP 542 470 00	356 A T2
0725aa	window crank, chrome with tan knob		356 pre A
0725ab	knob for wondow crank, ivory		356 split window
0726	inner door handle, chrome	644 531 611 02	356 A T2 - C
0726a	inner door handle, chrome	644 531 611 00	356 Vor A - A T1



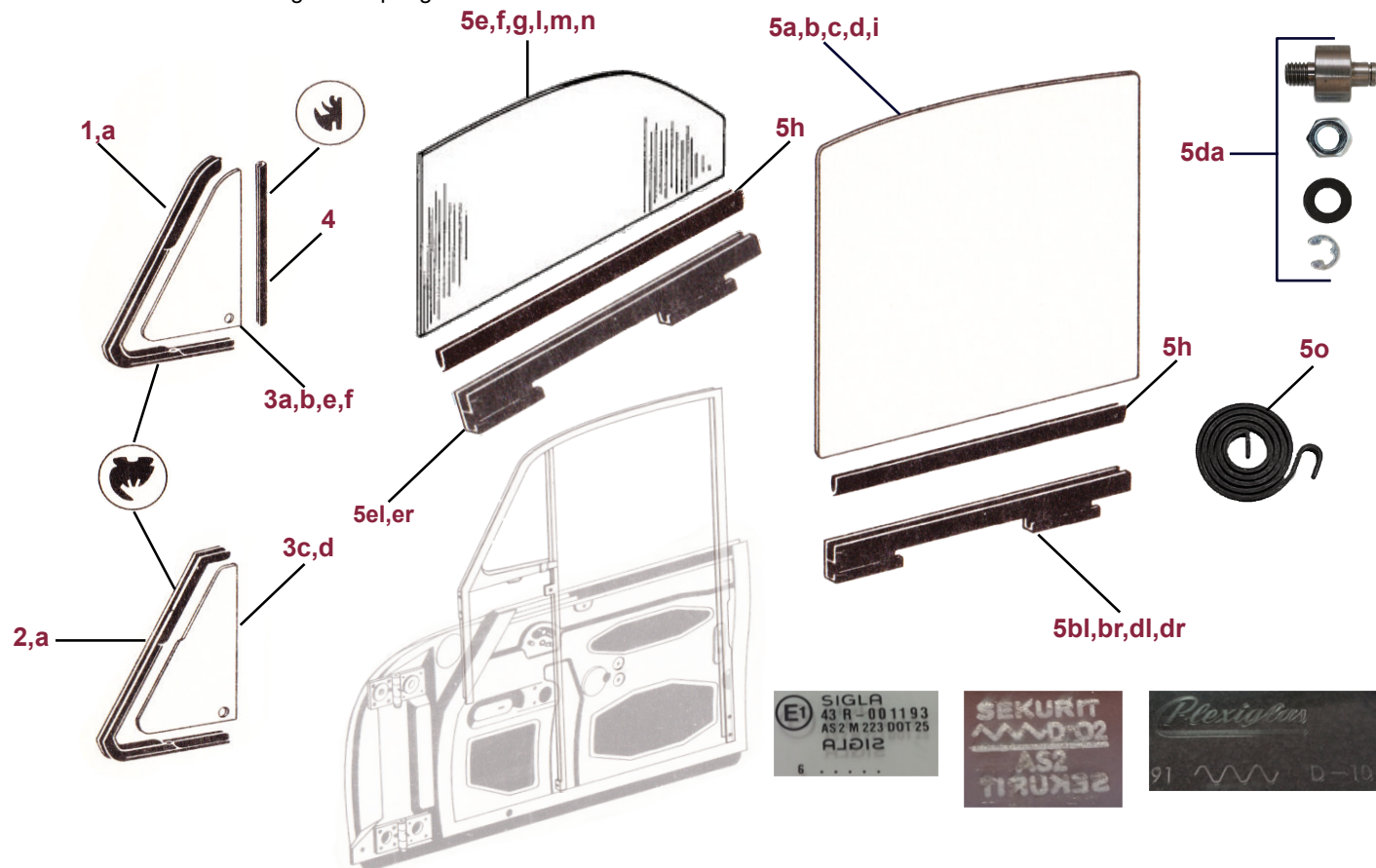


# rubber gaskets and side windows

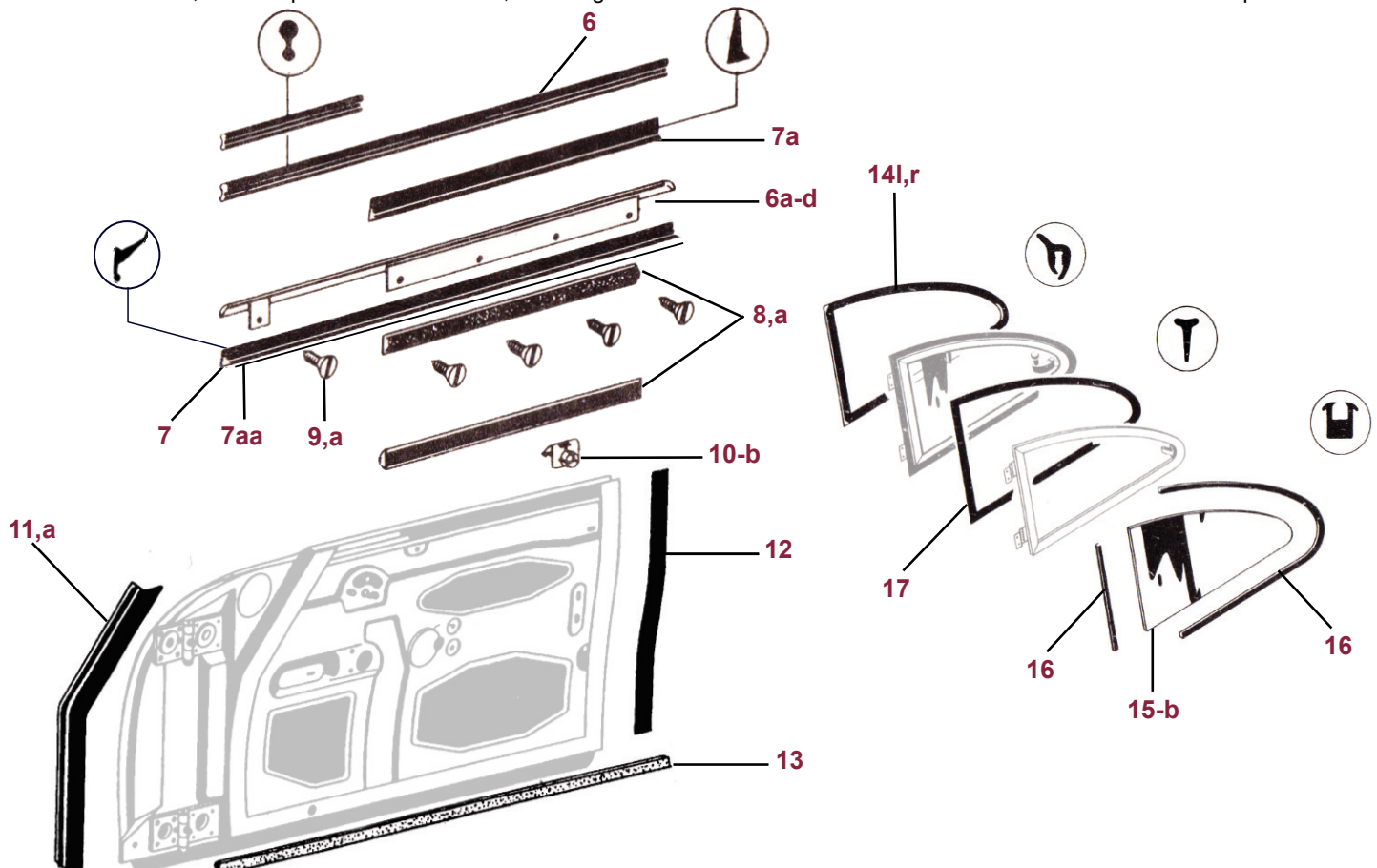
*Classic parts*

- 0901 vent window seal, left
- 0901a vent window seal, right
- 0902 vent window seal, left
- 0902a vent window seal, right
- 0903a vent glass, clear, left or right
- 0903b vent glass, tinted, left or right
- 0903c vent glass, clear, left or right
- 0903d vent glass, tinted, left or right
- 0903e vent glass, clear, „Plexiglas“, with correct stamp
- 0903f vent glass, clear, „Plexiglas“, with correct stamp
- 0904 vent window seal, rear, left or right
- 0905a door glass, clear, left or right
- 0905b door glass, tinted, left or right
- 0905bl side window rail, left
- 0905br side window rail, right
- 0905c door glass, clear, left or right
- 0905d door glass, tinted, left or right
- 0905da holt kit
- 0905dl side window rail, left
- 0905dr side window rail, right
- 0905e door glass, clear, left or right
  
- 0905el side window rail, left
- 0905er side window rail, right
- 0905f door glass, clear, left or right
- 0905g door glass, tinted, left or right
- 0905h rubber profile for window rail, specify model
- 0905i door glass, „Plexiglas“, with correct stamp
- 0905j leather strap for door glass „Plexiglas“, GT
- 0905k aluminium plug to fix leather strap for GT „Plexiglas“
- 0905l door window, clear, left or right
  
- 0905m door window, tinted, left or right
- 0905n door glass, „Plexiglas“, with correct stamp
- 0905o window regulator spring

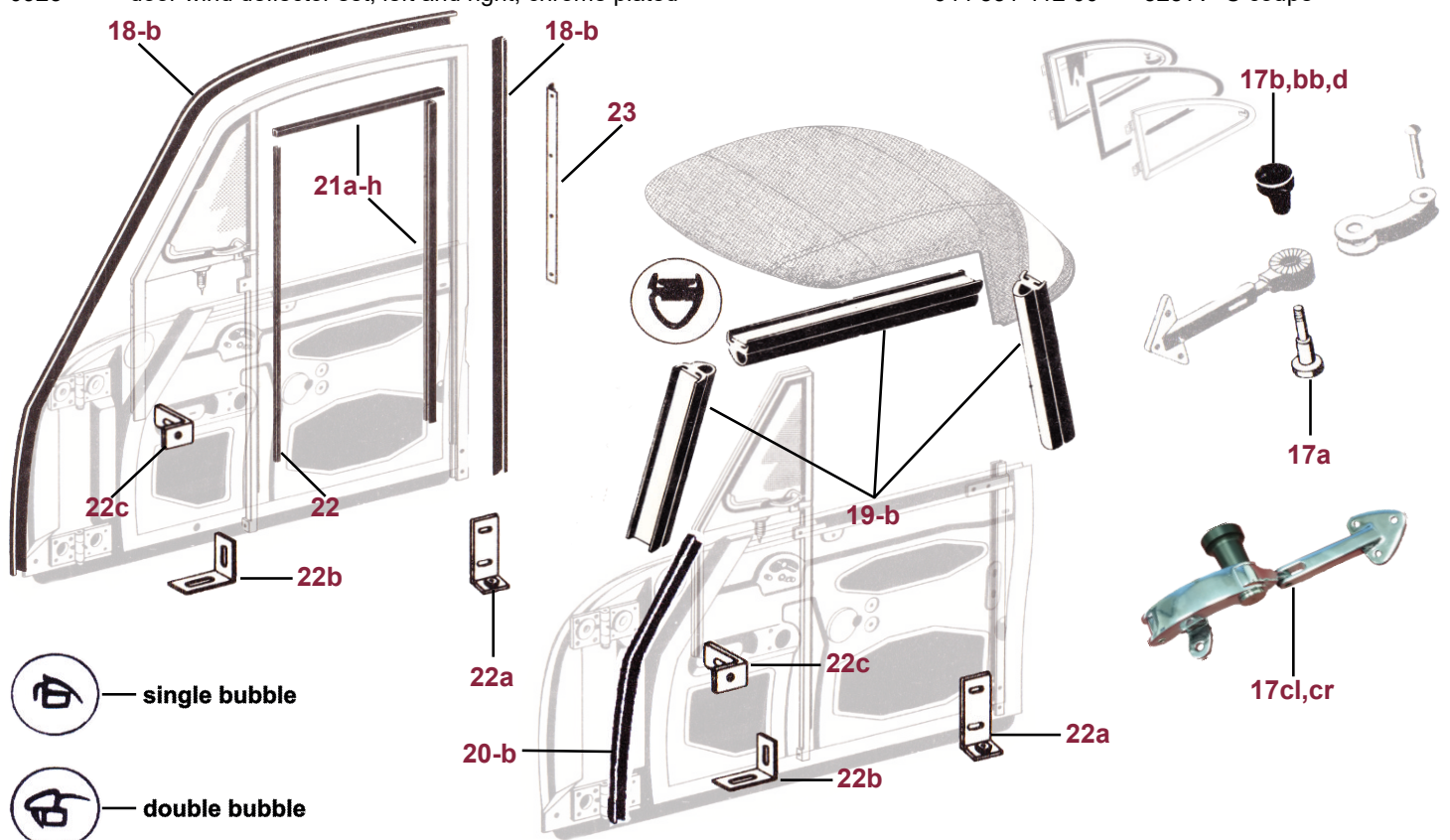
- 644 542 931 03
- 644 542 932 03
- 644 542 931 26
- 644 542 932 26
- 644 542 105 01
- 644 542 105 11
- 644 542 105 30
- 644 542 105 31
- 644 542 101 10
- 644 542 101 15
- 644 542 933 02
- 644 542 101 02
- 644 542 101 11
- 644 542 045 02
- 644 542 046 02
- 644 542 101 21
- 644 542 101 31
- 644 542 043 00
- 644 542 045 21
- 644 542 046 21
- 644 542 101 00
- 356 57 201/202
- 644 542 045 00
- 644 542 046 00
- 644 542 101 41
- 644 542 101 42
- 644 542 491 02/41
- 644 542 101 10
- 644 542 431 10
  
- 644 542 101 20
- 356 57 210/211
- 644 542 101 11
- 644 542 105 10
- 644 542 047 00
  
- 356 B/C coupe
- 356 B/C coupe
- 356 A T2 - C cabrio
- 356 A T2 - C cabrio
- 356 B/C coupe
- 356 B/C coupe
- 356 A T2 - C cabrio
- 356 A T2 - C cabrio
- 356 A - B T5 GT coupe
- 356 B T6 GT coupe
- 356 A T2 - C coupe/cabrio
- 356 B/C coupe
- 356 B/C coupe
- 356 B/C coupe
- 356 A T2 - C cabrio
- 356 A T2 - C cabrio
- 356 B/C cabrio
- 356 B/C cabrio
- 356 B/C cabrio
- 356 - A coupe
  
- 356 A T2
- 356 A T2
- Convertible D/Roadster
- Convertible D/Roadster
- all 356
- 356 A T2 - B T6 coupe GT
- 356 A T2 - B T6 coupe GT
- 356 A T2 - B T6 coupe GT
- 356 - A T1 cabrio
  
- 356 A coupe
- 356 A without vent window
- all 356



0906	plastic profile under chrome strip, left or right	644 531 951 00 o. PCG 025 928 00	all 356
0906a	external cover rail, chrome plated, left or right	644 531 431/432 02	356 B/C coupe
0906b	external cover rail, chrome plated, left or right	644 531 431/432 21	356 B/C cabrio
0906c	external cover rail, chrome plated, left or right	644 531 431/432 41	356 A cabrio, Convertible D, 356 B Roadster
0906d	door trim, chrome plated, left and right	644 531 431 19	356 pre A cabrio
0907	seal against glass, inner at inside door top trim	644 531 933 00	356 - A T1
0907a	seal against glass, outer, specify model	644 531 931 41	all 356
0907aa	door window seal trim spring	356 52 801	356 - A T1
0907b	door trim, aluminium polished, left or right	644 531 431 00	356 A coupe
0908	furry weatherstrip, inner and outer, 4 per car required length 450 mm	644 531 935 20	356 A T2 - C cabrio und 356 B/C coupe
0908a	furry weatherstrip, inner and outer, 4 required, 670 mm	644 531 935 41	356 A T2 Coupe, Convertible D/Roadster
0909	screw set for furry weatherstrips, one set per car	CLP 531 007 00	356 A - C coupe/cabrio
0909a	screw set for furry weatherstrip, one set per car	CLP 531 008 00	Convertible D/Roadster
0910	clip set for furry weatherstrip, one set per car	CLP 531 002 00	356 A - C coupe/cabrio
0910a	clip set for furry weatherstrip, one set per car	CLP 531 002 00	Convertible D/Roadster
0910b	clip for furry weatherstrip, single one	GHE 31 511	356 A T2 - C
0911	seal, front, glued to the door	644 531 901 00	356 - AT1
0911a	seal, front, glued to the door	644 531 903 00	356 A T2 - C
0912	seal, rear, glued to the door	644 531 901 00	all 356
0913	seal, bottom, glued to the door	644 531 921 00	356 B T6/C
0914l	seal for quarter window, opening on body, left	644 543 903 00	all 356 coupe
0914r	seal for quarter window, opening on body, right	644 543 904 00	all 356 coupe
0914a	seal for quarter window, opening for split window cars		356 till 1951
0915	quarter window glass, rear, clear, left or right	644 543 101 00	all 356 coupe
0915a	quarter window glass, rear, tinted, left or right	644 543 101 11	all 356 coupe
0915b	quarter window glass, rear, clear, „Plexiglas“, left or right, with correct stamp	644 543 101 10	356 A - B T6 GT
0916	seal, directly around the quarter glass	644 543 901 00	all 356 coupe
0917	seal, around quarter window frame, left or right	644 543 905 00	all 356 coupe



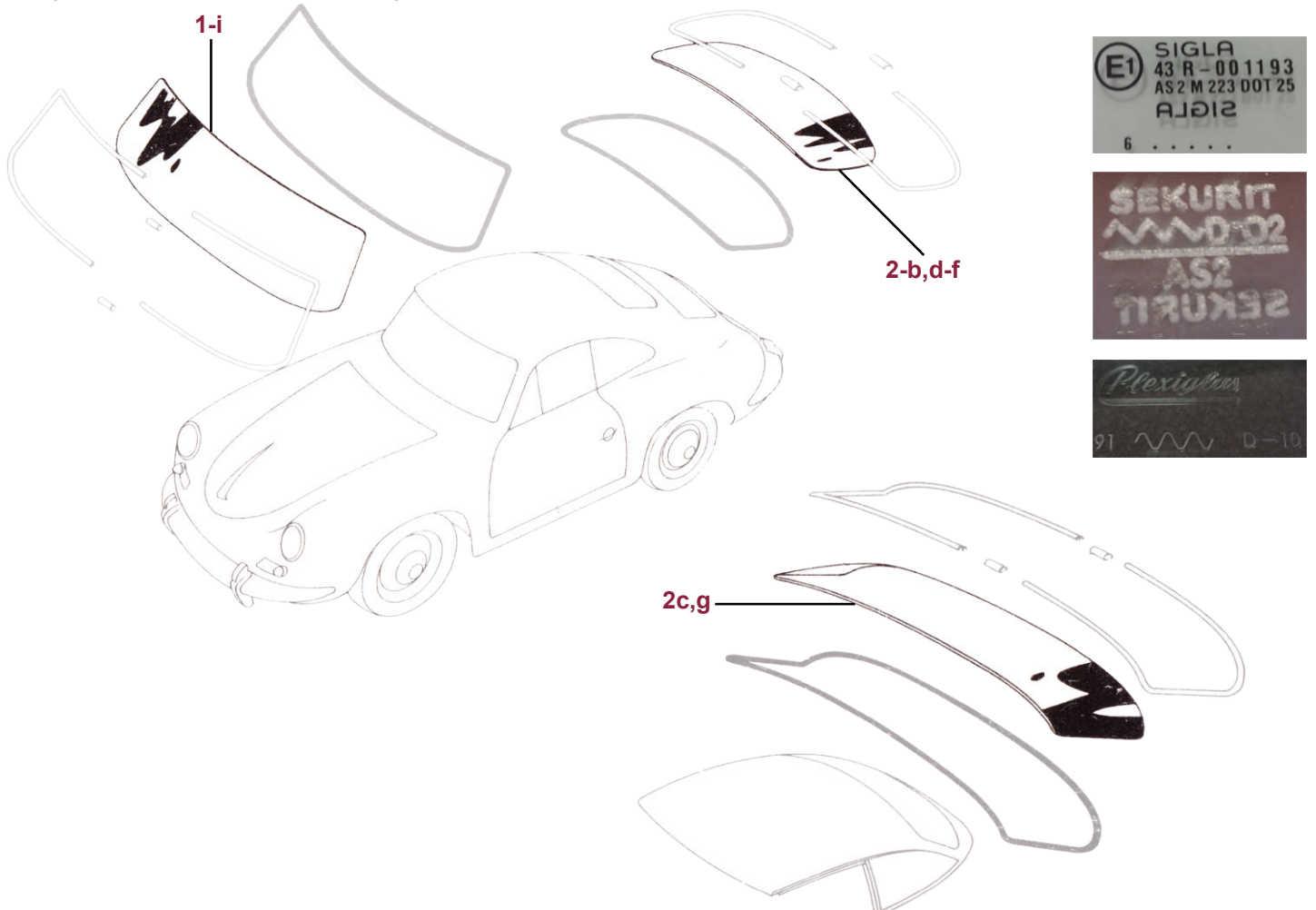
0917a	hinge bolt for quarter window latch	CLP 543 416 00	356 B/C coupe
0917b	knob for rear side window operation mechanism, black	CLP 552 820 03	356 B/C
0917bb	knob for rear side window operation mechanism, specify colour	CLP 552 820 03	356 A
0917cl	operation mechanism complete for rear side window, left, with knob state colour of knob	644 543 041 00	356 A - C
0917cr	operation mechanism complete for rear side window, right, with knob state colour of knob	644 543 042 00	356 A - C
0917d	knob for rear vent window, ivory		356 split window
0918	door seal on body, left, single bubble	644 531 923 00	356 A - B T6 coupe
0918a	door seal on body, right, single bubble	644 923 924 00	356 A - B T6 coupe
0918aa	door seal on body, left or right, single bubble, very soft version	CLP 531 923 00	356 A - B T6 coupe, GT
		CLP 531 924 00	
0918al	door seal on body, left, double bubble	644 531 923 00	late 356 B T6 - C
0918ar	door seal on body, right, double bubble	644 531 924 00	late 356 B T6 - C
0918b	door seal on body, left or right	356 52 807	356 pre A coupe
0919	side window seals for convertible top, set of 6 pieces for 1 car	644 542 095 20	356 B/C cabrio
0919a	side window seals for convertible top, set for 1 car	644 542 929 41	Convertible D/Roadster
0919aa	side window seals for convertible top, set for 1 car, 1951 - 1957	CLP 542 921 20	356 pre A - A T1 cabrio
0919b	side window seals for convertible top, set for 1 car	644 542 095 20	356 A T2 cabrio
0920	door seal on body, single bubble, 4 required	CLP 531 911 22	356 A T1 - B T6 cabrio, Speedster, Convertible D/Roadster
			356 pre A cabrio/Speedster
0920a	door seal on body, single bubble, 4 required	644 531 911 20	356 C cabrio
0920b	door seal on body, double bubble, 4 required	644 531 911 22	356 pre A coupe
0921a	window channel, flexible, 2 required	356 57 203	356 pre A cabrio
0921b	window channel, flexible, 2 required		356 A coupe
0921c	window channel, flexible, without vent window, 2 required	CLP 542 901 00	356 B/C coupe
0921d	window channel, flexible, with vent window, 2 required	644 542 901 00	356 A - C cabrio
0921e	window channel, flexible	644 542 901 00	356 A coupe
0921f	window channel, flexible, complete for 1 car, without vent window	644 542 901 00	356 B/C coupe
0921g	window channel, flexible, complete for 1 car, with vent window	CLP 542 901 00	356 A T2 - C cabrio
0921h	window channel, flexible, complete for 1 car, with vent window	CLP 542 901 21	356 A - C coupe/cabrio
0922	window channel, front, flexible, with vent window	CLP 542 901 26	all 356 coupe/cabrio
0922a	mounting angle, rear bottom, for window frame	644 531 460 00	356 B/C coupe/cabrio
0922b	mounting angle, center bottom, for window frame	644 531 453 00	all 356 coupe/cabrio
0922c	mounting angle, front, for window frame	644 531 049 20	325 A - C coupe
0923	door wind deflector set, left and right, chrome plated	644 531 412 00	





## coupe and cabrio

1001	split windshield, set of 2 pieces, clear, original „SIGLA“	356 57 101	split windshield, coupe/cabrio
1001a	bent windshield, 1953 - 1956, clear, original „SIGLA“	356 57 108	bent windshield, coupe/cabrio
1001b	bent windshield, 1953 - 1956, tinted, original „SIGLA“	356 57 47	bent windshield, coupe/cabrio
1001c	windshield, clear, original „SIGLA“	644 541 101 00	356 A - B T5 coupe and 356 A - C cabrio
1001d	windshield, tinted, original „SIGLA“	644 541 101 10	356 A - B T5 coupe and 356 A - C cabrio
1001da	windshield, tinted with green strip, original „SIGLA“	644 541 101 16	356 A - B T5 coupe and 356 A - C cabrio
1001e	windshield, clear, original „SIGLA“	644 541 101 06	356 B T6/C coupe
1001f	windshield, tinted, original „SIGLA“	644 541 101 11	356 B T6/C coupe
1001fa	windshield, tinted with green strip, original „SIGLA“	644 541 101 16	356 B T6/C coupe
1001g	windshield, clear	904 541 101 00	904
1001h	windshield, clear, 12V heated	644 541 101 50	356 A - B T5 coupe and 356 A - C cabrio
1001i	windshield, clear, 12V heated	644 541 101 52	356 B T6/C coupe
1001j	window set, 7 pieces, "Plexiglas", with correct stamp, best quality	CLP 545 101 10	356 A/B T5, GT
1001k	window set, 7 pieces, "Plexiglas", with correct stamp, best quality	CLP 545 101 16	356 B T6/C, GT
1002	rear window, clear, original „Sekurit“	644 545 101 00	356 - B T5
1002a	rear window, clear, original „Sekurit“	644 545 101 06	356 B T6/C
1002b	rear window, tinted, original „Sekurit“	644 545 101 11	356 B T6/C
1002c	rear window, clear, original „Sekurit“	644 545 101 60	356 A - C hardtop
1002d	rear window, clear, „Plexiglas“, with correct stamp	644 545 101 10	356 A - B T5 coupe
1002e	rear window, clear, „Plexiglas“, with correct stamp	644 545 101 16	356 B T6/C coupe
1002f	rear window, tinted, original „Sekurit“	644 545 101 01	356 - B T5 coupe
1002g	rear window, clear, original „Sekurit“	644 545 101 30	„Karmann“ notchback coupe

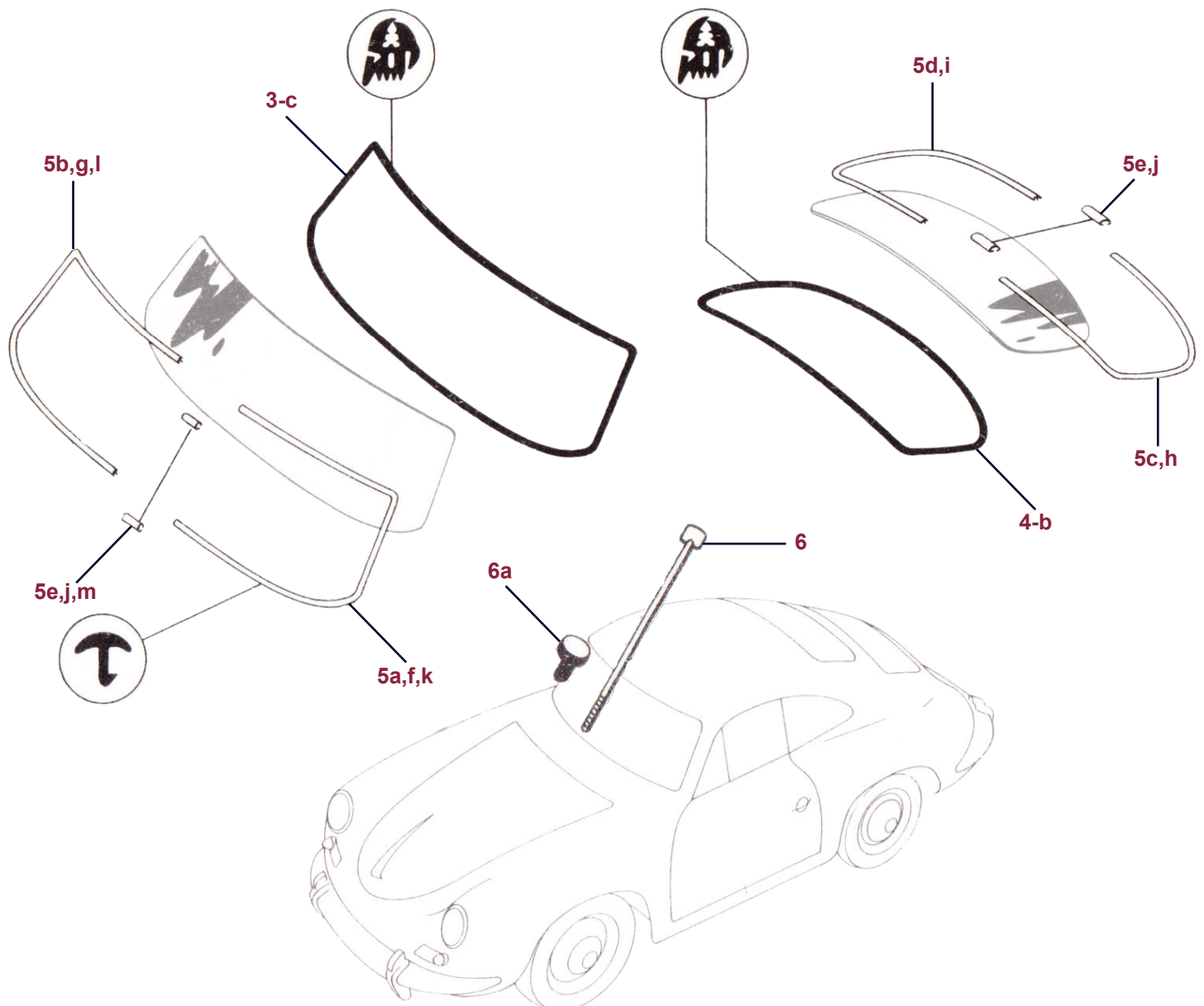


# glass and accessory parts

*Classic parts*

## coupe and cabrio

1003	rubber seal for windshield, only for „Reutter“ body	644 541 901 00	all 356 coupe/cabrio and bent windshield
1003a	rubber seal for windshield, only for „Karmann“ body	644 541 901 07	356 B T6 coupe
1003b	rubber seal for windshield	904 541 901 00	904
1003c	rubber seal, with bar for split windshield	356 57 103	split windshield
1004	rubber seal for rear window	644 545 901 00	356 (1952) - B T5 coupe
1004a	rubber seal for rear window, „Reutter“ and „Karmann“ body	644 545 901 06	356 B T6/C
1004b	rubber seal for rear window	356 57 314	split windshield
1005a	windshield trim, left	644 541 911 00	356 - B T5 coupe/cabrio
1005b	windshield trim, right	644 541 912 00	356 - B T5 coupe/cabrio
1005c	rear window trim, left	644 545 911 00	356 - B T5
1005d	rear window trim, right	644 545 912 00	356 - B T5
1005e	connecting piece, windshield or rear window trim, 4 required	644 541 921 00	356 - B T5 coupe/cabrio
1005f	windshield trim, left	644 541 911 06	356 B T6/C coupe
1005g	windshield trim, right	644 541 912 06	356 B T6/C coupe
1005h	rear window trim, left	644 545 911 06	356 B T6/C coupe
1005i	rear window trim, right	644 545 912 06	356 B T6/C coupe
1005j	connecting piece, windshield or rear window trim, 4 required	644 545 921 06	356 B T6/C coupe
1005k	windshield trim, left	644 541 911 26	356 B T6/C cabrio
1005l	windshield trim, right	644 541 912 26	356 B T6/C cabrio
1005m	connecting piece, windshield trim, 2 required	644 541 921 06	356 B T6/C cabrio
1006	windshield tension rod	644 541 231 20	356 A - C cabrio
1006a	rubber plug for hole (windshield tension rod)	644 025 675 00	356 A - C cabrio



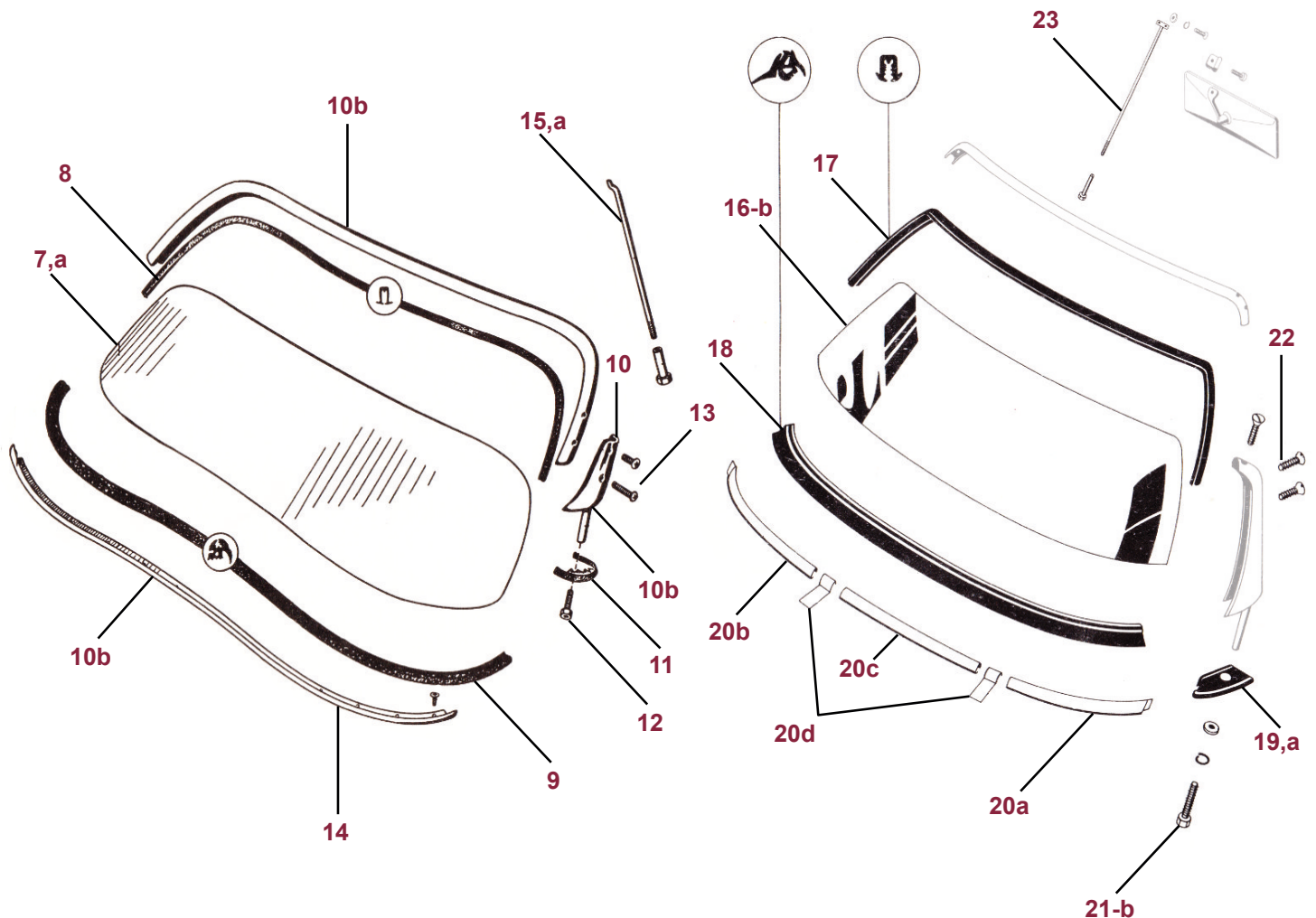


# glass and accessory parts

## Speedster, Conv. D and Roadster

*Classic parts*

1107	windshield, clear, original „SIGLA“	644 541 101 40	356 Speedster
1107a	windshield, tinted, original „SIGLA“	644 541 101 49	356 Speedster
1108	rubber seal around top and sides	644 541 901 40	356 Speedster
1108a	rubber seal set, upper and lower part, best quality	644 541 901/902/ 40	356 Speedster
1109	rubber seal, bottom, for cowl	644 541 902 40	356 Speedster
1110	windshield post set, left and right, chrome plated	CLP 541 251/252 40	356 Speedster
1110b	windshield frame set, 4 pieces, brass not chrome plated, need to be fitted on the body	644 541 201 99	356 Speedster
1111	rubber seal under windshield post	644 541 261 40	356 Speedster
1112	bolt for bottom of windshield post	644 541 265 40	356 Speedster
1113	screw set for windshield frame, stainless steel	CLP 541 040 00	356 Speedster
1114	lower windshield frame, brass not chrome plated	644 541 205 40	356 Speedster
1115	tension rod for windshield frame with nut, chrome plated	644 541 231 40	356 Speedster
1115a	tension rod for windshield frame with nut, chrome plated	540 57 118	356 pre A Speedster
1116	windshield, clear, height 352 mm, original „SIGLA“	644 541 101 45	late 356 B Roadster
1116a	windshield, tinted, height 352 mm, original „SIGLA“	644 541 101 49	late 356 B Roadster
1116b	windshield, clear, height 362 mm	644 541 101 41	Convertible D and early Roadster
1117	rubber seal around top and sides of windshield	644 541 901 41	Convertible D/Roadster
1118	rubber seal, bottom of windshield to cowl	644 541 902 41	Convertible D/Roadster
1119	rubber base under windshield post, left	644 541 261 41	Convertible D/Roadster
1119a	rubber base under windshield post, right	644 541 262 41	Convertible D/Roadster
1120a	trim, windshield to cowl, left	644 541 911 41	Convertible D/Roadster
1120b	trim, windshield to cowl, right	644 541 912 41	Convertible D/Roadster
1120c	trim, windshield to cowl, center	644 541 913 41	Convertible D/Roadster
1120d	trim shackels, windshield to cowl, 2 required	644 541 915 41	Convertible D/Roadster
1121a	bolt, top of post, chrome plated, VIN 85501 - 87825	644 561 895 41	Convertible D/Roadster
1121b	bolt, top of post, chrome plated, VIN 87826 - 89846	644 541 275 42	356 B T5 and 356 B T6 Roadster
1122	screw set for windshield frame, stainless steel, set for 1 car	CLP 541 041 00	Convertible D/Roadster
1123	tension rod for windshield with nut, chrome plated	644 541 025 45	Convertible D/Roadster

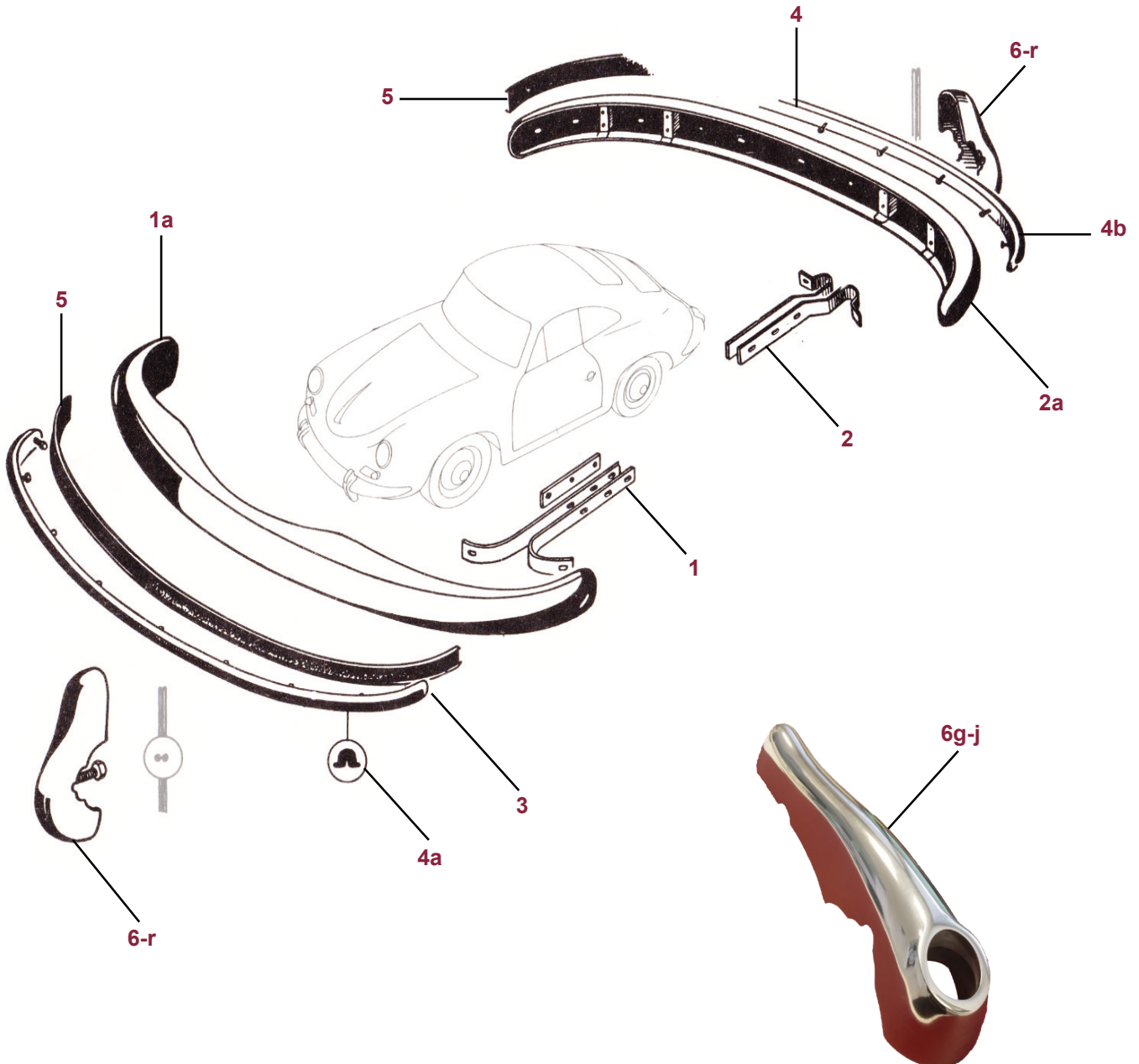


# bumper and accessory parts

*Classic parts*

## 356 and 356 A

1201	front bumper, bracket set, for 1 car, unpainted	CLP 505 131 00	356 - A T2
1201a	front bumper	644 505 011 00	356 - A T2
1202	rear bumper, bracket set, for 1 car, unpainted	CLP 505 231 00	356 - A T2
1202a	rear bumper, with little changes also for 356 A T2	644 505 021 00	356 - A T2
1203	front deco strip, complete with rubber insert and rubber base	CLP 505 041 00	356 - A T2
1204	rear deco strip, complete with rubber insert and rubber base	CLP 505 043 00	356 - A T2
1204a	rubber insert for front deco strip	644 505 411 00	356 - A T2
1204b	rubber insert for rear deco strip	644 505 413 00	356 - A T2
1205	rubber base for deco strip, front or rear	644 505 049 00	356 - A T2
1206	bumper guard set, front and rear, 260mm tall by 65mm wide, aluminium polished	644 505 031/032 00	356 - A T1
1206a	bumper guard, left front or right rear, 260mm tall by 42mm wide, aluminium polished	644 505 031 02	356 - A T1
1206b	bumper guard, right front or left rear, 260mm tall by 42mm wide, aluminium polished	644 505 032 02	356 - A T1
1206c	bumper guard, left front or right rear, export version, 155mm, aluminium polished	CLP 505 031 10 P	356 - A T1
1206d	bumper guard, right front or left rear, export version, 155mm, aluminium polished	CLP 505 032 10 P	356 - A T1
1206e	bumper guard, left front or right rear, export version, 155mm, chrome plated	CLP 505 031 10 C	356 - A T1
1206f	bumper guard, right front or left rear, export version, 155mm, chrome plated	CLP 505 032 10 C	356 - A T1
1206g	bumper guard, left rear, hole for exhaust funnel, export version, 155mm, chrome plated	CLP 505 035 10 C	356 A T2
1206h	bumper guard, right rear, hole for exhaust funnel, export version, 155mm, chrome plated	CLP 505 036 10 C	356 A T2
1206i	bumper guard, left rear, hole for exhaust funnel, export version, 155mm, alu polished	CLP 505 035 10 P	356 A T2
1206j	bumper guard, right rear, hole for exhaust funnel, export version, 155mm, alu polished	CLP 505 036 10 P	356 A T2

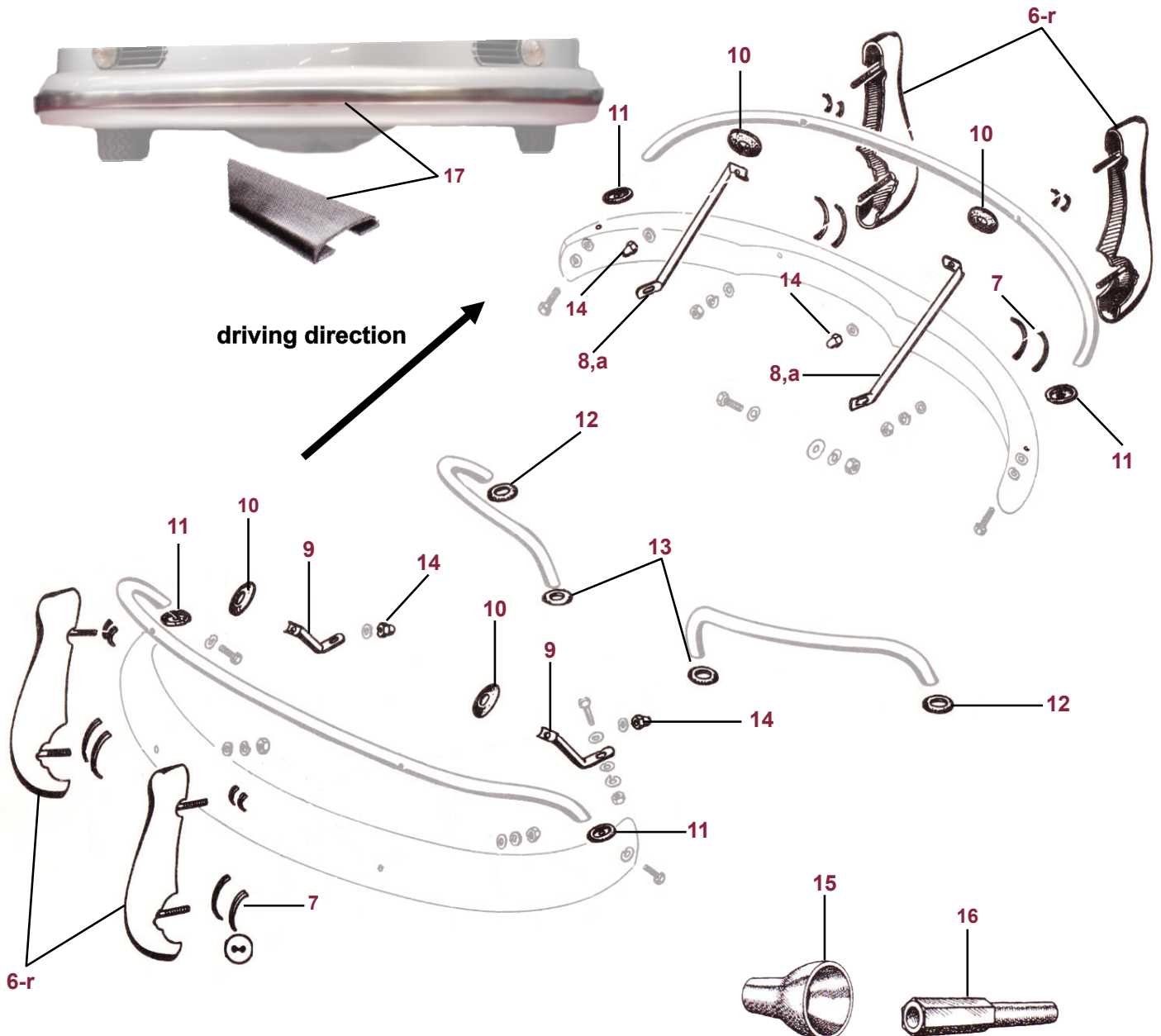


# bumper and accessory parts

*Classic parts*

## 356 and 356 A

1206k	bumper guard, left front, export version, 190mm, aluminium polished	644 505 031 12	356 A T2
1206l	bumper guard, right front, export version, 190mm, aluminium polished	644 505 032 12	356 A T2
1206m	bumper guard, left front, europe version, aluminium polished	644 505 031 01	356 A T2
1206n	bumper guard, right front, europe version, aluminium polished	644 505 032 01	356 A T2
1206o	bumper guard, left rear, with hole, europe version, aluminium polished	644 505 033 00 POL	356 A T2
1206p	bumper guard, right rear, with hole, europe version, aluminium polished	644 505 034 00 POL	356 A T2
1206q	bumper guard, left rear, with hole, europe version, chrome plated	644 505 033 00 CHR	356 A T2
1206r	bumper guard, right rear, with hole, europe version, chrome plated	644 505 034 00 CHR	356 A T2
1207	plastic profile for bumper guard, 4 required	644 505 391 00	356 - A
1208	bumper overrider support set, front, 155 mm version	644 505 161 00	356 - A
1208a	bumper overrider support set, front, 190 mm version	644 505 161 01	356 A T2
1209	bumper overrider support set, rear	CLP 505 261 00	356 - A
1210	grommet for bumper overrider support, 4 required	644 505 171 00	356 - A
1211	grommet, oval, for front bumper overrider support, left or right	644 505 191 00	356 - A
1212	grommet, oval, for rear bumper overrider support, outer end, left or right	644 505 291 00	356 - A
1213	grommet, oval, for rear bumper overrider support, inner end, left or right	644 505 291 01	356 - A
1214	cap nut for overrider	CLP 085 001 00	356 - A
1215	exhaust funnel	644 505 305 00	356 A T2
1216	attaching nut, 60mm	644 505 335 00	356 A T2
1217	deco strip for GT, aluminium, complete with hardware	644 505 041 10	356 A GT
1217a	hardware for deco strip		356 A GT
1219	rubber for bumper till 1951		split windshield





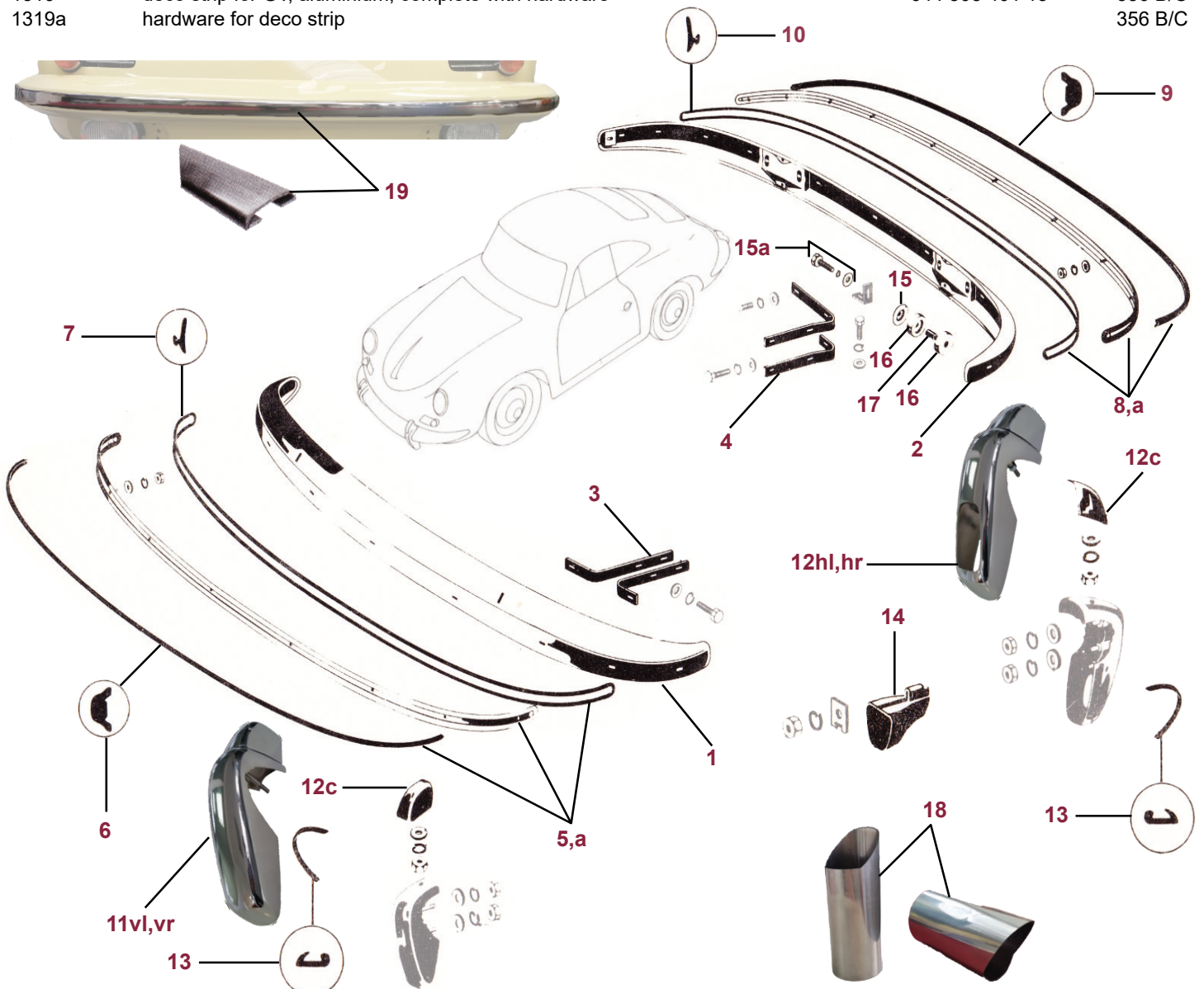
# bumper and accessory parts

*Classic parts*

## 356 B/C

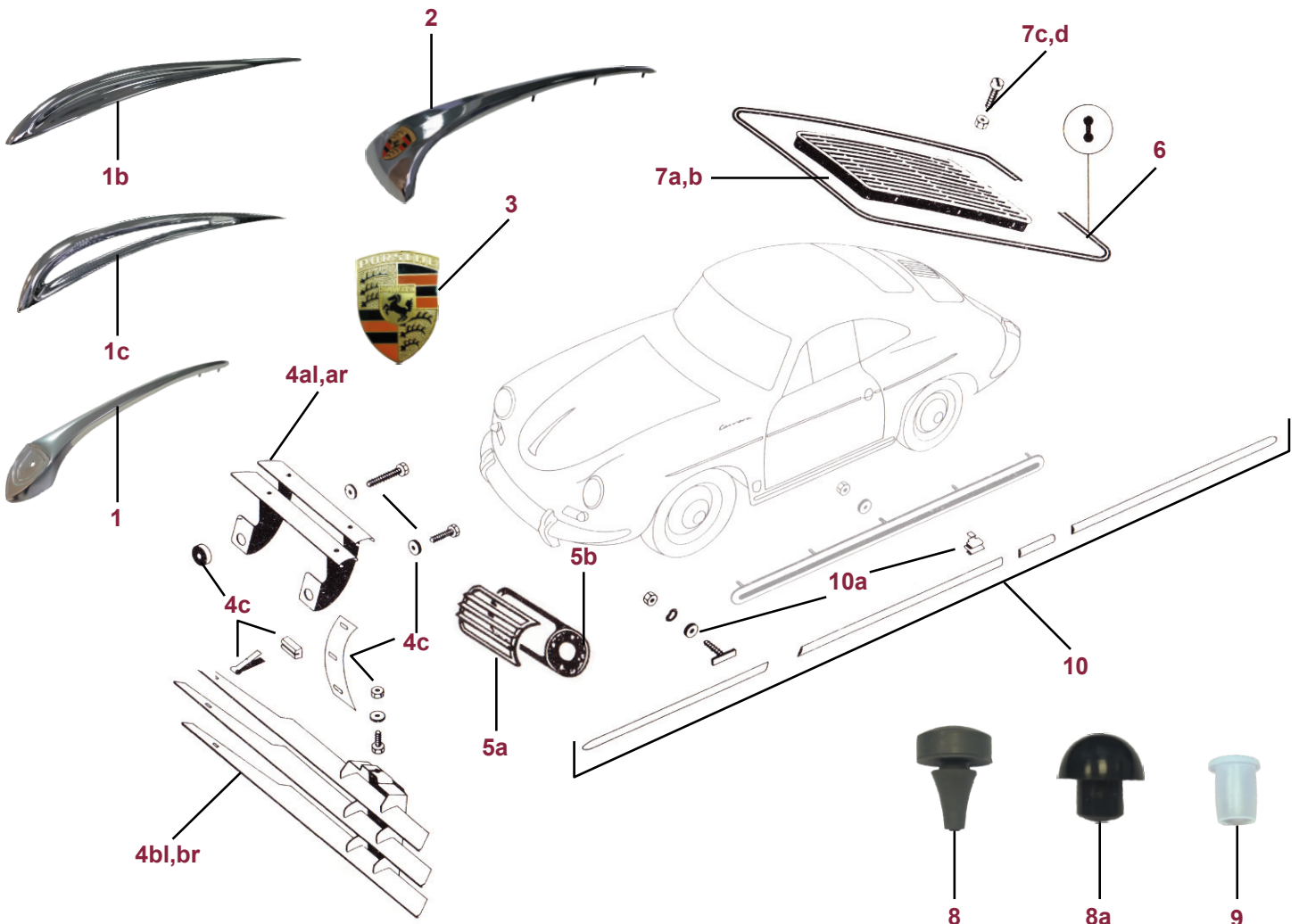
- 1301 front bumper, OEM, made in Germany
- 1302 rear bumper, OEM, made in Germany
- 1303 bracket set, front bumper, 4 pieces, unpainted
- 1304 bracket set, rear bumper, 4 pieces, unpainted
- 1305 front deco strip, complete with hardware, OEM
- 1305a front deco strip, complete with hardware, repro from USA
- 1306 insert for front deco strip
- 1307 beading for front deco strip
- 1308 rear deco strip, complete with hardware, OEM
- 1308a rear deco strip, complete with hardware, repro from USA
- 1309 insert for rear deco strip
- 1310 beading for rear deco strip
- 1311vl bumper guard, front left, complete with hardware, made in USA, good quality
- 1311vr bumper guard, front right, complete with hardware, made in USA, good quality
- 1312c headpiece for bumper guard, OEM
- 1312hl bumper guard, rear left, complete with hardware, made in USA, good quality
- 1312hr bumper guard, rear right, complete with hardware, made in USA, good quality
- 1313 plastic edging for bumper guard, 2 per guard required
- 1314 exhaust funnel, inside rear bumper guard, zinc plated
- 1315 support plate for rubber mount, 2 required
- 1315a bolt, M 8x50, to mount the rear bumper to the fender, left or right, 2 required
- 1316 rubber mount for rear bumper, 4 required
- 1317 spacer tube, 2 required
- 1318 exhaust tip, stainless steel, aftermarket
- 1319 deco strip for GT, aluminium, complete with hardware
- 1319a hardware for deco strip

- 644 505 010 05 356 B/C
- 644 505 020 05 356 B/C
- CLP 505 131 05 356 B/C
- CLP 505 231 05 356 B/C
- 644 505 041 07 356 B/C
- CLP 505 041 07 356 B/C
- 644 505 411 05 356 B/C
- 644 505 433 05 356 B/C
- 644 505 043 07 356 B/C
- CLP 505 043 07 356 B/C
- 644 505 413 05 356 B/C
- 644 505 433 05 356 B/C
- CLP 505 301 15 356 B/C
- CLP 505 302 15 356 B/C
- 644 505 325 05 356 B/C
- CLP 505 303 15 356 B/C
- CLP 505 304 15 356 B/C
- CLP 505 394 05 356 B/C
- 644 505 037 06 356 B/C
- 644 505 247 05 356 B/C
- 644 505 245 05 356 B/C
- 644 505 243 05 356 B/C
- CLP 111 548 00 356 B/C
- 644 505 401 15 356 B/C
- 356 B/C



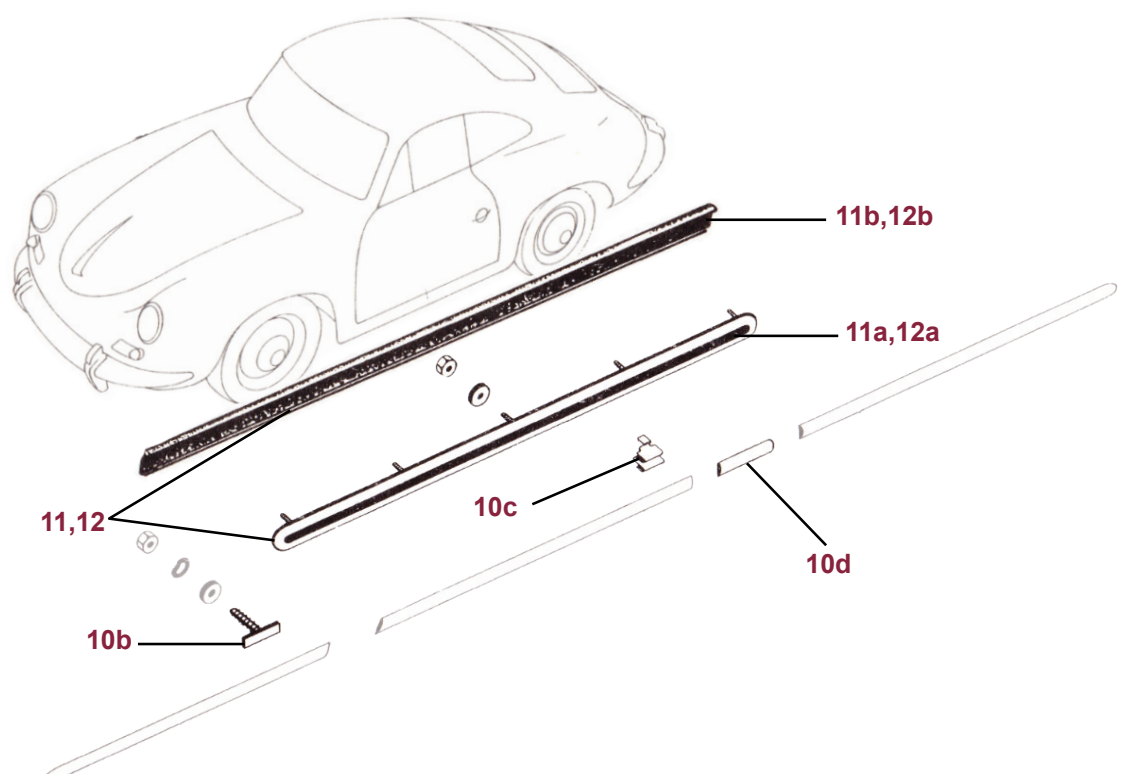
- 1501 hood handle, aluminium anodised, perfect quality
- 1501a base gasket set for hood handle, 2 pieces
- 1501b hood handle, no hole, chrome plated, 1948 - 1952
- 1501c hood handle, chrome plated, 1953 - 1955
- 1502 hood handle, with rubber base, „Porsche“ crest and hardware, chrome plated
- 1502a rubber base for hood handle
- 1502aa hardware set for hood handle
- 1502b rubber base for hood handle 1948 - 1955
- 1503 crest for hood handle, incl. hardware
- 1503a liner for crest in front hood and rear lid
- 1504al horn grille, above bumper, left
- 1504ar horn grille, above bumper, right
- 1504bl grille for fog light lamp, left
- 1504br grille for fog light lamp, right
- 1504c attaching set for all 4 grilles
- 1504d rubber plug, for nose panel when you use „hella“ fog lights, 6 required
- 1505a horn grille, with studs and nuts, left or right
- 1505b rubber base for horn grille
- 1506 plastice adging for engine grille
- 1507a engine grille
- 1507b engine grille
- 1507c hardware set for engine grille, 1 set per car
- 1507d hardware set for engine grille, 1 set per car
- 1507e screen for engine grille, zinc plated
- 1507f rear grill set, left and right, chrome plated
- 1508 rear hood buffer, grey, 4 required
- 1508a rear hood buffer, black, 4 or 6 required
- 1509 plug for luggage rack holes in rear hood, 4 required
- 1510 side trim molding set, complete with hardware, 8 pieces
- 1510a hardware set for side molding, 1 set per car

- 644 559 020 01 356 A
- 644 559 003 00 356 A
- 356 58 039 356 pre A
- 644 559 021 05 356 B/C
- 644 559 231 05 356 B/C
- CLP 559 005 00 356 B/C
- 356 58 316 356 pre A
- 644 559 210 00 356 A - C
- 550 Spyder
- 644 559 045 05 356 B/C
- 644 559 046 05 356 B/C
- 644 559 047 05 356 B/C
- 644 559 048 05 356 B/C
- CLP 559 002 00 356 B/C
- 644 025 631 00 356 B/C
- 644 559 045 00 356 - A
- 644 559 495 01 356 - A
- 644 559 491 00 all 356
- 644 559 041 06 356 B T6 coupe
- 644 559 041 26 356 B T6 cabrio
- CLP 512 001 00 356 - B T5
- CLP 512 002 00 356 B T6/C
- 356 Carrera
- 718
- 999 703 086 40 356 A T2 - C
- 644 025 637 00 356 - A T1
- 644 703 002 00 all 356
- CLP 559 002 40 all 356
- CLP 559 004 00 all 356





1510b	t-bold for side molding, as required	644 559 171 41	alle 356
1510c	rail fastenig for side molding, 36 required	999 591 302 02	alle 356
1510d	short aluminium trim	644 559 125 40	alle 356
1511	rocker deco molding, below door, 34mm wide, complete with rubber base and hardware	644 559 011 00	356 A
1511a	rubber insert for rocker deco	CLP 559 011 00	356 A
1511b	rubber base for rocker deco	644 559 131 00	356 A
1512	rocker deco molding, below door, with all rubbers and hardware, OEM	644 559 011 07	356 B/C
1512a	rubber insert for rocker deco	901 559 101 22	356 B/C
1512b	rubber base for rocker deco	644 505 431 05	356 B/C
1513a	rubber base for „Aero“- mirror	644 731 129 00	356 A - B T5
1513c	„Aero“- mirror, complete with rubber base	644 731 002 00	356 - B T5
1513d	„Aero“- mirror, convex glass, complete with rubber base	644 731 002 01	356 - B T5
1514	„Ponto“ - mirror, complete with rubber base	644 731 003 00	356 B T6
1514a	rubber base, for „Ponto“- mirror	644 731 003 01	356 B T6
1515	„Durant“- mirror, complete with rubber base, OEM	644 731 111 10	356 C, 911 till 1968
1515a	rubber base for „Durant“- mirror	901 731 129 00	356 C, 911 till 1968
1515b	„Durant“- mirror, convex glass, with rubber base	644 731 111 20	356 C, 911 till 1968



1516	interior mirror, complete with tension clip	644 731 004 00	early Speedster
1516a	interior mirror, complete with tension clip	644 731 101 40	late Speedster
1516aa	tension clip for interior mirror		356 Speedster
1517a	interior mirror, 2 hole mount	644 731 101 01	356 A T1 Coupe
1517b	interior mirror, 1 hole mount, specify model	644 731 101 01	356 A T2 - B T5 coupe
			356 A T2 - B T6 cabrio
1517bb	tension clip for interior mirror	644 731 150 25	356 A - B cabrio
1518	interior mirror, day/night with bracket	644 731 101 06	356 B T6 coupe
1519	interior mirror, day/night with bracket	644 731 101 26	356 C cabrio
1519a	interior mirror, day/night with bracket	644 731 101 07	356 C coupe
1520	mirror housing, aluminium, mounted on front fender		GT Version
1520a	mirror, mounted on front fender		GT Version
1520b	profile under mirror housing		GT Version
1521	„Talbot“ Berlin 300 mirror, chrome plated	644 731 111 08	optional for 356, as standard for 904 GTS
1521a	„Talbot“ mirror, chrome plated	644 731 111 06	356 A T2 - B T6
1522	hood strap set, tan complete with hardware	644 511 080 10	all 356
1522a	hood strap set, black, complete with hardware	644 511 080 11	all 356



16



16a



17a



17b



18



19



19a



20



20a



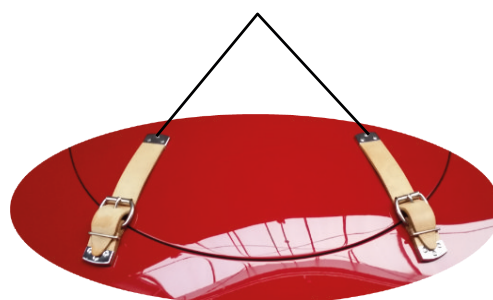
22



21a



21



1600	"Porsche" emblem, single letters, gold plated	904 559 301 00	904 GTS
1600a	emblem "1500", gold plated	540 58 301	356 pre A
1600b	emblem "1500 Super", gold plated	644 559 311 16	356 pre A
1601	"Porsche" - letters, chrome plated	644 559 301 01	356 - early A
1602	"Porsche" - letters, gold plated, front or rear	644 559 301 00	356 A
1603	"Porsche" - letters, gold plated, front or rear	644 559 301 05	356 B T5
1604	"Porsche" - letters, gold plated	644 559 301 06	356 B T6/C
1605	"Speedster" - letters, gold plated, with hardware	644 559 321 40	Speedster and early Convertible D
1605a	clip for "Speedster" - letters, 5 required	999 591 212 01	Speedster and early Convertible D
1606	"Carrera" - letters, gold plated	644 559 325 00	356 A - C Carrera
1607	"Carrera" - letters, gold plated	644 559 326 00	356 pre A - B T5 Carrera
1607a	letter "D", gold plated		356 A Convertible D
1608	letter "S", gold plated	644 559 302 06	356 B T6, 75 PS
1609	letter "C", gold plated	644 559 302 07	356 C, 75 PS
1610	letter "G", gold plated	904 559 303 00	904 GTS
1611	letter "90", gold plated	644 559 303 06	356 B T6 Super 90
1612	letter "SC", gold plated	644 559 303 07	356 SC
1613	letter "60", gold plated	644 559 304 06	356 B T6, 60 PS
1614	letter "T", gold plated	904 559 304 00	904 GTS
1615	letter "GTS", gold plated	904 559 303 99	904 GTS
1616	letter "2", gold plated	644 559 306 06	356 B/C Carrera 2
1617	letter "1600", gold plated	644 559 311 00	356 A - B T5, 1600 Normal, 60 PS
1618	letter "1600 Super", gold plated	644 559 311 01	356 A and B T5, 1600 Super, 75 PS
1619	letter "Super 90", gold plated	644 559 311 05	356 B T5 Super 90 and Super 90 GT
1619a	clip for letters		all 356





1620	crest for hood handle	644 559 210 00	356 A - C
1621	letter "Continental", gold plated	356 58 350	356 pre A
1621a	letter "Spyder", gold plated	550 58 350	550 RS Spyder
1621b	letter "European", gold plated		356 A
1622	letter "Porsche", gold plated, mounted at the dashboard	644 559 305 40	Convertible D and 356 B T5 Roadster
1623	badge "Meisterschaften", goldplated	CLP 559 831 00	356 A
1624	chassis plate "Reutter", mounted at the left hinge post cover, with rivets	CLP 701 102 00	1956 - 1964
1624a	chassis plate „Reutter“, OEM from „Reutter“, with rivets	644 701 102 00	1956 - 1964
1624b	chassis plate „Reutter“ hardtop		
1625	chassis plate "Drauz", mounted at the left hinge post cover, with rivets	CLP 701 104 00	Convertible D/Roaster
1626	chassis plate "Karmann", mounted at the left hinge post cover, with rivets	CLP 701 105 00	356 "Karmann"
1627	chassis plate "D'leteren", mounted at the left hinge post cover, with rivets	CLP 701 106 00	356 B T5/B T6 Roadster
1628	paint number plate, "Reutter", mounted at the left hinge post cover, with rivets	CLP 701 103 00	1956 - 1964
1628a	chassis plate "Porsche", mounted at the left hinge post cover, with rivets		356 - A T1
1628aa	paint number plate, "Reutter", OEM from „Reutter“, with rivets	644 701 103 00	1956 - 1964
1628b	rivets, aluminium, chassis or paint number plate, as required	900 055 001 02	all 356
1628c	paint badge „Kunstharzlack“, mounted at the left hinge post cover, with rivets		356 - A T1
1629	badge "Made in Western Germany"	CLP 723 012 00	all 356
1630	chassis identification plate, specify model	CLP 701 101 00	356 A - C
1630a	chassis identification plate, 5-lines		356 Vor A
1630c	chassis identification plate, without illustration		356 prototype
1631	badge „Bosch“ horn, 6/4, high	CLP 701 645 00	356 B/C
1632	badge „Bosch“ horn, 6/3, low	CLP 701 646 00	356 B/C
1633	badge „Bosch“ horn, 6/3, low	CLP 701 635 00	356 A
1634	badge „Bosch“ horn, 6/4, high	CLP 701 636 00	356 A
1635	badges „Bosch“ horn, set for 12 Volt horn, 2 pieces	CLP 701 637 00	356 A - C





1701	badge „Reutter“, repro	CLP 723 001 00	1950 - 1953
1701a	badge „Reutter“, OEM	644 723 001 00	1950 - 1953
1702	badge „Reutter“, repro	CLP 723 002 00	1953 - 1955
1702a	badge „Reutter“, OEM	644 723 002 00	1953 - 1955
1703	badge „Reutter“, Export, repro	CLP 723 003 00	1954 - 1962
1703a	badge „Reutter“, Export, OEM	644 723 003 00	1954 - 1962
1704	badge „Drauz“	CLP 723 007 00	Convertible D/Roadster
1704a	badge „Drauz“, Euro-Version	CLP 723 007 11	Convertible D/Roadster
1705	badge „Reutter“, repro	CLP 723 004 00	1962 -1963
1705a	badge „Reutter“, OEM	644 723 004 00	1962 -1963
1705b	badge „Reutter“, Europa-Version, repro	CLP 723 003 01	1955 - 1961
1705c	badge „Reutter“, Europa Version, OEM	644 723 003 01	1955 - 1961
1706	badge „D'leteren“	CLP 723 006 00	
1707	badge „Wendler“, pair for left and right	CLP 723 005 00	
1708	badge „Karmann“	CLP 723 008 00	
1710	rivet, aluminium	900 055 003 30	
1711	badge „Gläser“	CLP 723 010 00	
1712	badge „100000 km“		
1713	badge „Nürburgring“		
1714	badge „50 Jahre Speedster“		





1800	decal set for all 356 pushrod engines	CLP 701 000 00	all 356
1801	decal „Ventilspiel“	CLP 701 015 00	Super 90/SC
1802	decal „Ventilspiel“	CLP 701 001 00	60/75 PS, 912
1803	decal „Ventilspiel“	CLP 701 547 00	Carrera
1804	decal for air cleaner, 2 required	CLP 701 002 00	356 B/C
1805	decal for „Fram“ oil filter side	CLP 701 012 00	all 356
1806	decal for „Mann“ oil filter	CLP 701 011 00	356 A
1807	decal „Einlass“ for „Fram“	CLP 701 005 00	all 356
1808	decal for „Fram“ oil top cover	CLP 701 009 00	all 356
1809	decal for „H-filter“ oil top cover	CLP 701 003 00	all 356
1810	decal „Einlass“ for „H-filter“	CLP 701 004 00	all 356
1811	decal for voltage regulator cover	CLP 701 006 00	1954 - 1958
1812	decal für voltage regulator cover	CLP 701 007 00	1959 - 1965
1812a	decal für voltage regulator cover	CLP 701 007 01	356 C
1813	decal „Jörg“ for screw driver	CLP 701 191 00	356 A - B
1814	decal „Bosch“ for ignition coil, 6 V	CLP701 008 00	all 356
1815	decal „Bosch“ for ignition coil, 12 V	CLP 701 010 00	all 356
1815a	decal for ignition coil, 12 V (TK 12A10)		Carrera

**Ventilspiel kalt**  
Tappet clearance cold  
Jeu de poussoir à froid

2

**Achtung!** micro-star -Luffilter-Einsatz  
nicht in Flüssigkeit auswaschen.  
Einsatz bei Verschmutzung oder  
nach ca **20000** km erneuern.

Ventilspiel Auslaß : 0,15 mm  
kalt: Einlaß : 0,15 mm  
Elektrodenabstand : 0,40 mm  
U-Kontaktabstand : 0,35 mm

3

**Ventilspiel kalt**  
Tappet clearance cold  
Jeu de poussoir à froid

1

**Achtung!** micro-star -Luffilter-Einsatz  
nicht in Flüssigkeit auswaschen.  
Einsatz bei Verschmutzung oder  
nach ca **20000** km erneuern.

**EINLASS**

7

9

**Einlass**

10

8

13

15

14

15a

6

5

11

00

12

12a



- 1816 decal „Koni“ for shock absorber
- 1817 decal „Zu-Auf“ for carb. pre heat shroud, type 692/587
- 1818 decal, „12 Volt“
- 1818a decal, „12 Volt“, without illustration
- 1819 decal „Behr“, for fresh air valve
- 1820 decal for shift pattern
- 1821 decal for shift pattern
- 1822 decal, „Bendix“ for fuel pump, 2 required
- 1824 decal set „Hazer“ for screw drivers, without illustration
- 1825 decal „Made in Germany“
- 1826 decal „Klein“ for lug nut wrench

- CLP 701 014 00 all 356
- CLP 701 587 00 Carrera
- CLP 701 833 00 356 C Carrera 2
- CLP 701 020 00 356 B Carrera 2
- CLP 701 572 00 356 B T6/C
- CLP 701 542 00 356 B/C
- CLP 701 541 00 356 - A
- CLP 701 017 00 Carrera
- CLP 701 021 00 all 356
- CLP 701 019 00 356 C
- 356 C

**Zu Beachten!**  
**Nur schalten zwischen**  
 40- km/h v. 4. in den 3. Gang  
 10- km/h v. 3. in den 2. Gang  
 0- km/h v. 2. in den 1. Gang

Kupplung Immer ganz durch-  
 treten. Gang ganz einlegen

**Einfahrsvorschrift**  
**Höchstgeschwindigkeiten**

	1.Gg.	2.	3.	4.
Bis 500 km	20	35	60	90
Bis 1500 km	25	45	80	120

Bitte Einfahrsvorschrift einhalten

21



16



17



19

**Bendix**  
 L i z e n z  
**Elektrische Kraftstoffpumpe**

Modell-Nr., Spannung und Polarität  
 auf Befestigungssteg aufgeschlagen  
 DB-Patent Nr. 897 655

**A. Pierburg K. G.**  
 Auto- und Luftfahrt-Gerätebau KG  
 Neuss/Rhein  
 Made in W-Germany

**Kraftstoff-Filter**  
 von Zeit zu Zeit  
 reinigen

22

25



26

**Schalt-schema**

20



18

1901a	chrome wheel, 4,5 x 15, ET 25, new production, with clips for hubcaps	CLP 361 010 20	356 A/B
1901aa	steel wheel, 4,5 x 15, ET 25, silver powder coated, new production, with clips for hubcaps	CLP 361 010 10	356 A/B
1901b	chrome wheel, 5,5 x 15, ET 15, new production, with clips for hubcaps	CLP 361 012 20	356 A/B
1901bb	steel wheel, 4,5 x 15, ET 15, silver powder coated, new production, with clips for hubcaps	CLP 361 012 10	356 A/B
1901c	aluminium wheel, 5,0 x 15, polished, only for racing, no TÜV certification		356 A/B
1901d	aluminium wheel, 5,0 x 15, brushed, only for racing, no TÜV certification		356 A/B
1901f	aluminium wheel, 6,0 x 15, brushed, only for racing, no TÜV certification		356 A/B
1901g	magnesium wheel, 5,0 x 15, weight 5,5 kg, with TÜV certification		356 A/B
1901h	aluminium wheel, 5,0 x 15 „Rudge“, billet aluminium, polished only for racing, no TÜV certification		356 A/B
1901j	steel wheel, 3,25 x 16, primer coated, perfect reproduction, with TÜV certification you can stamp the year by yourself	356 68 021	356 Vor A
1901k	steel / aluminium wheel, 3,5 x16, Typ S540 A		550/550 A, 718 RSK Spyder
1901l	steel / aluminium wheel, 3,5 x 16, Typ S597 A		550/550 A Spyder
1901r	„Rudge“ wheel set, chrome plated or painted, wing or octagonal nut, with TÜV certification	644 68 010	356 A/B





1902a	chrome wheel, 4,5 x 15, ET 43, new production with original KPZ tools	901 361 013 20	356 C/SC, 912, 911
1902aa	steel wheel, 4,5 x 15, ET 43, silver powder coated new production with original KPZ tools	901 361 013 10	356 C/SC, 912, 911
1902b	chrome wheel, 5,5 x 15, ET 42, new production with original KPZ tools	901 361 022 20	356 C/SC, 912, 911
1902c	steel wheel, 5,5 x 15, ET 42, silver powder coated, new production with original KPZ tools	911 361 022 00	356 C/SC, 912, 911
1902d	chrome wheel, 6,0 x 15, ET 36, new production with original KPZ tools	911 361 021 20	356 C/SC, 912, 911
1902e	steel wheel, 6,0 x 15, ET 36, silver powder coated, new production with original KPZ tools	911 361 021 00	356 C/SC, 912, 911
1902f	aluminium wheel, 5,0 x 15, polished, only for racing, no TÜV certification		356 C, 904, 911, 912
1902g	aluminium wheel, 5,0 x 15, brushed, only for racing, no TÜV certification		356 C, 904, 911, 912
1902h	aluminium wheel, 6,0 x 15, polished, only for racing, no TÜV certification		356 C, 904, 911, 912
1902i	aluminium wheel, 6,0 x 15, brushed, only for racing, no TÜV certification		356 C, 904, 911, 912
1902j	adapter unit for hubcaps on aluminium wheels, 1 set per car		356 C, 911, 912
1902k	aluminium wheel, 7,0 x 15, brushed, only for racing, no TÜV certification		904 rear, 906 front, 911
1902l	aluminium wheel, 9,0 x 15, brushed, only for racing, no TÜV certification		906 rear, 911



2b



2c



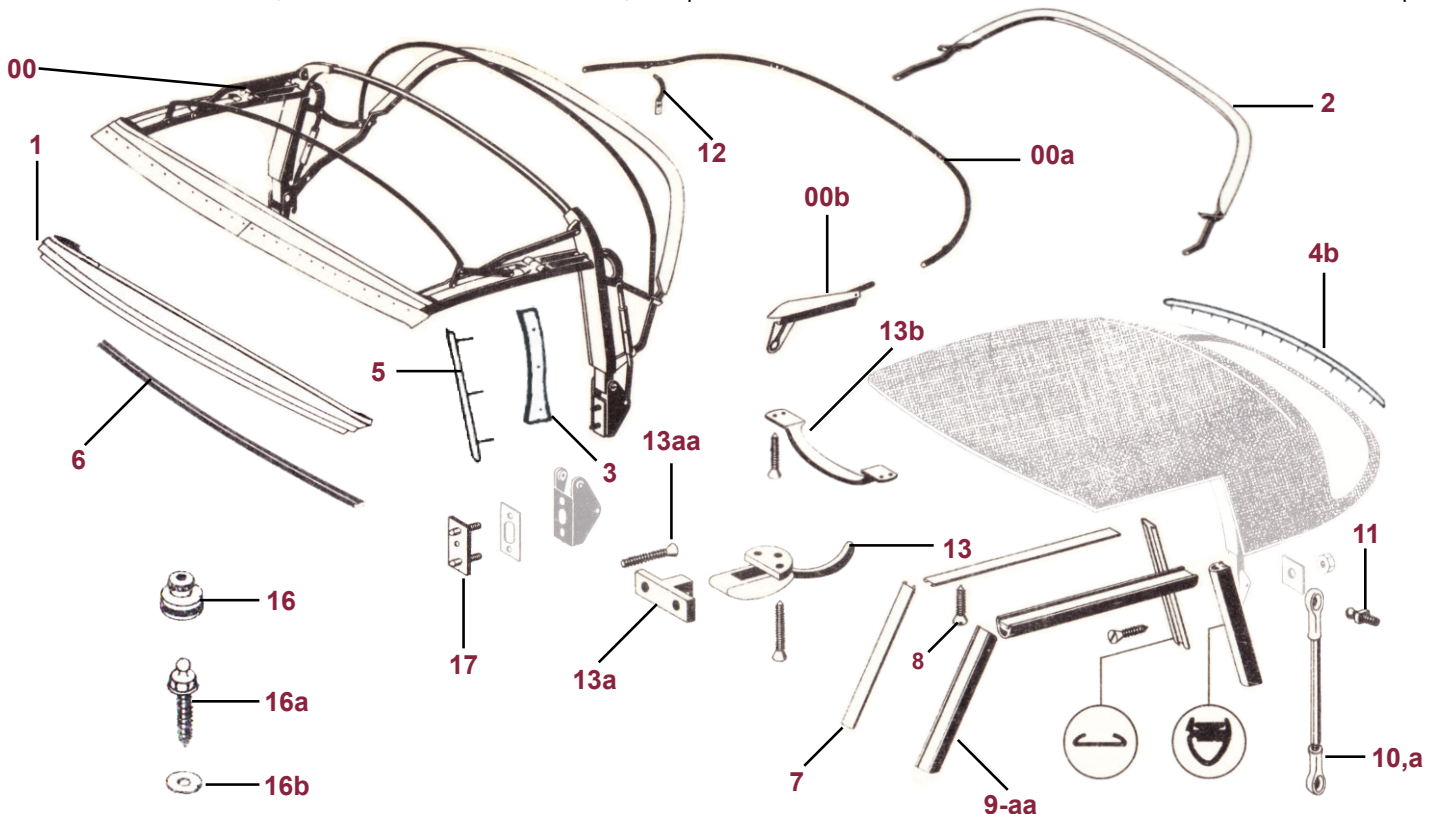
2h



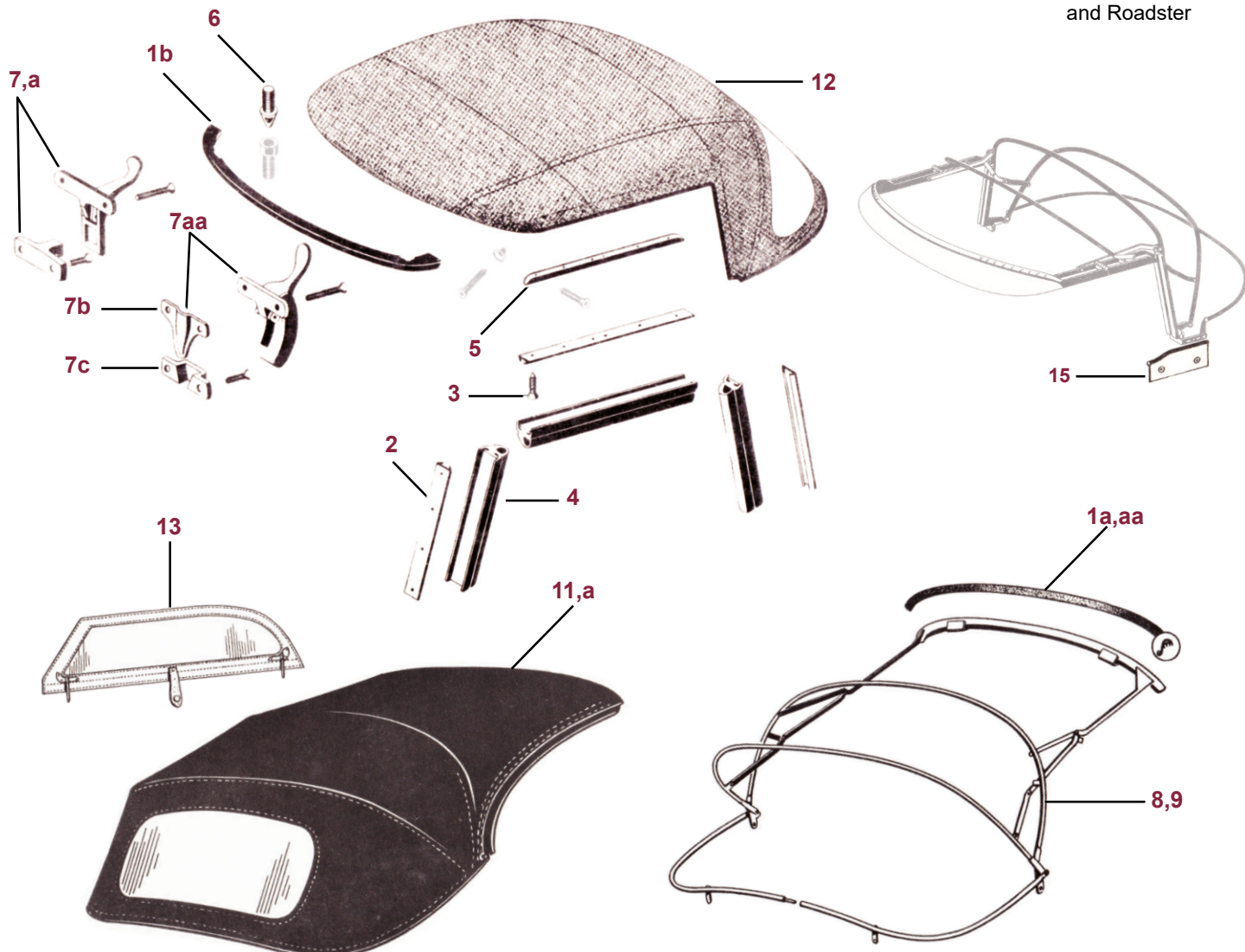
1903	lug nut, zinc plated	900 182 001 01	all 356
1903a	lug nut, black	900 182 001 01	all 356
1904	Radbolzen, Standardlänge für Trommelbremse	356 34 132	356 - B
1904a	Radbolzen, Überlänge für Spurverbreiterung, 10 mm	CLP 331 671 00	ale 356
1904aa	Radbolzen, Überlänge für Spurverbreiterung, 20 mm	550 42 122	550 RS Spyder, all 356
1904b	wheel stud, standard size	901 341 671 01	356 C
1905	valve stem support spring for wheel 4,5 x 15	644 68 211	all 356
1906	clip for hubcap, 5 required per wheel	356 68 119	356 - B
1907	round head rivet for hubcap clip, 5 required per wheel	999 055 001 20	all 356
1908	tire 165 HR 15 Michelin XAS		356 A - C
1908a	tire 175/70 HR 15, Avon, hard version		356 A - C
1908b	tire 185/70 VR 15, Michelin XWX		356 A - C
1908c	tire 185/70 VR 15, Pirelli CN 36		356 A - C
1908d	tire 165/80 TR 15, Continental		356 A - C
1908e	tube for 165/15		356 A - C
1908l	tire 5,00/5,25-16 74 P Excelsior 4 PR Avus with tube valve reducer		356 pre A
1908i	tire 185/70 HR 15 CR 6 ZZ, Avon		356 A - C
1908j	tire 5.00/5.25x16, C18, Dunlop, max. 150 km/h		356 pre A
1909	hubcap, with gold plated enamel crest	644 361 031 11	356 A/B Super, Carrera
1910	hubcap, "Babymoon"	356 68 105	356 - B
1910a	hubcap, aluminium	550 68 105	356 A/B GT, 550 RS Spyder
1911	hubcap, with gold plated enamel crest	901 361 031 00	356 C/SC, 912
1911a	hubcap, without holes for crest	901 361 031 04	356 C, 904, 912
1912	hubcap, with raised chrome crest	911 361 031 01	356 C/SC, 912
1913a	crest for hubcap, gold plated enamel, with hardware. type 644	644 559 801 00	356 A/B
1913b	crest for hubcap, gold plated enamel, with hardware. type 901	901 559 801 00	356 C/SC, 912
1914	crest for hubcap, raised, chrome	901 559 801 01	356 C/SC, 912
1915	spacer, 10 mm, 5 required per wheel		all 356
1915a	spacer, 20 mm, 5 required per wheel	550 42 121	356 A/B GT, 550 RS Spyder
1915b	spacer, 3 mm, 5 required per wheel		all 356
1916	screw spring retainer for hubcap, 3 required per crest	999 591 423 03	356 A - C, 911
1919a	hub set for „Rudge“ wheels, set for 4 wheels		356 A - B T5



2000	softtop frame with rear wood bow	644 561 005 02	356 A T2 - C
2000a	rear tube for soft top frame, tan	644 571 057 00	356 B/C
2000b	metal part above lock post, left and right, „chicken wings“	644 561 059/060 00	356 B/C
2001	front bow	644 561 501 00	356 A - C
2001a	front bow for bent windshield	356 51 870	356 pre A
2001b	middle wooden bow		356 pre A
2001c	wooden frame for rear window	356 51 861/862	1952
2002	rear bow, till VIN 150001	644 561 055 02	356 A T2 - C
2002a	rear track strip set	356 51 629	356 - A T1r
2003	wooden column set, pair for left and right		356 A - C
2004b	rear deco trim, aluminium, above rear window, holes must be pre drilled	644 561 881 00	all 356
2005	deco trim, aluminium, rear of side window, 2 required	644 561 877 01	all 356
2006	seal, between top and windshield	644 561 931 20	all 356
2007	holding rail set, for side window seal, aluminium, set for 1 car	644 542 950 20	all 356
2008	screw set for holding rail	CLP 542 002 00	all 356
2009	seal for side window and softtop, set of 6 pieces for 1 car, black	644 542 095 20	356 B/C
2009a	seal for side window and softtop, set of 6 pieces for 1 car, grey	644 542 095 20	356 A T2
2009aa	seal for side window and softtop, set of 6 pieces for 1 car, grey	CLP 542 095 20	356 - A T1
2010	turnbuckles, 95 mm for softtop	644 563 081 20	all 356
2010a	turnbuckles, 75 mm for hardtop	644 563 081 01	all 356
2011	ball pin for turnbuckle, 4 required	644 025 741 00	all 356
2012	hold down for rear steel bow	644 561 752 00	all 356
2013	top lock, upper part, mounted on soft- or hardtop, chrome plated, with hardware	644 561 891 02	all 356
2013a	top lock, lower part, mounted on window frame, chrome plated, with hardware	644 561 892 00	all 356
2013aa	screw for top lock, chrome plated	900 148 072 02	all 356
2013b	pull handle, chrome plated, 2 required	644 561 991 00	all 356
2014	rubber seal for removable hardtop	644 563 905 00	all 356
2016	„Tenax“ closing, upper part, chrome plated	GHE33	all 356
2016a	„Tenax“ closing, lower part, zinc plated	GHE21	all 356
2016b	plastic washer for „Tenax“ closing	644 025 143 00	all 356
2017	fixing plate for softtop bow, with 2 bolts	644 561 710 00	all 356
2018	rubber seal for rear window	644 545 901 60	356 A - C hardtop, hardtop coupe
2019	rubber seal around rear vent window, 2 required	644 543 201 60 a.	356 B/C hardtop, hardtop coupe
2019a	rubber seal, around rear „fixed“ vent window, 2 required	644 543 903 61 644 543 901 60	356 A - B hardtop

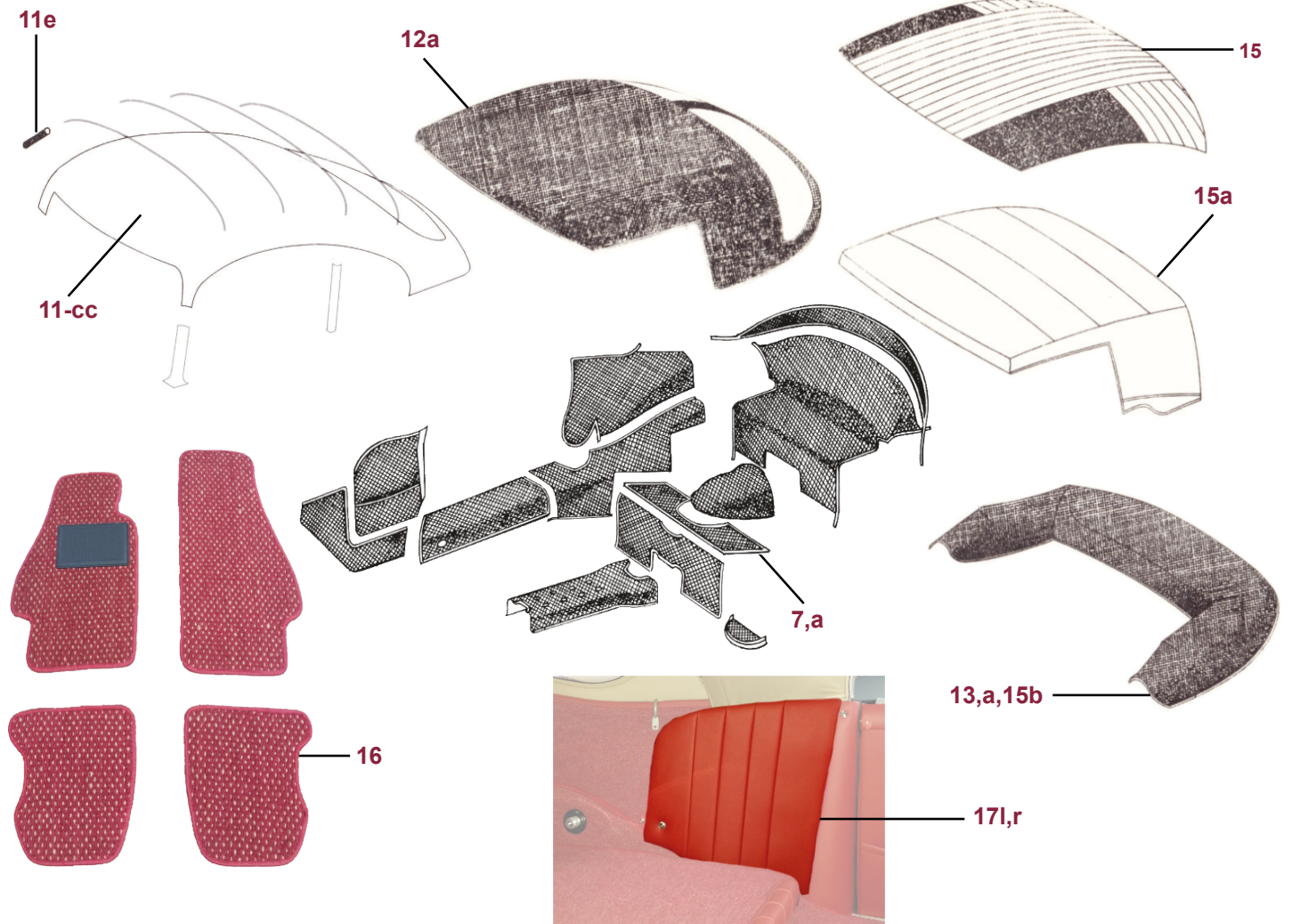


2101a	rubber seal, softtop to windshield frame	540 561 931 00	early Speedster
2101aa	rubber seal, softtop to windshield frame	540 561 931 01	late Speedster
2101b	rubber seal, softtop to windshield frame	644 541 931 45	Convertible D and Roadster
2102	holding rail for side window seals on softtop, aluminium, 1 set per car	644 542 950 20	Convertible D and Roadster
2103	screw set for folding rail		Convertible D and Roadster
2104	rubber seal for side windows on softtop, 1 set per car	644 542 929 41	Convertible D and Roadster
2105	rain channel set, aluminium, 1 set per car, undrilled	CLP 561 865 41	Convertible D and Roadster
2106	location pin for front bow	644 561 897 41	Convertible D and Roadster
2107	top latch set for softtop	540 561 890 00	Speedster
2107a	top latch set for softtop	644 561 890 45	late Roadster
2107aa	top latch set for softtop	540 561 891 00	Convertible D and early Roadster
2107b	guide wedge for top latch	644 561 898 45	late Roadster
2107c	hook for windshield frame	CLP 561 891 45	late Roadster
2108	softtop frame, „low bow“, perfect reproduction	644 561 005 40	early Speedster
2109	softtop frame, „high bow“, perfect reproduction	644 561 005 41	late Speedster
2111	cover for softtop, „Sonnenland“ - quality, „low bow“ version	CLP 531 001 00/01	early Speedster
2111a	cover for softtop, „Sonnenland“ - quality, „high bow“ version	CLP 531 001 00/01	late Speedster
2112	cover for softtop, „Sonnenland“ - quality, specify model and VIN		Convertible D and Roadster
2113	side curtain set, left and right, black vinyl, with bag	CLP 531 001 00/01	Speedster
2115	plate for hinge on softtop frame, left and right	644 561 075/076 45	Convertible D and Roadster

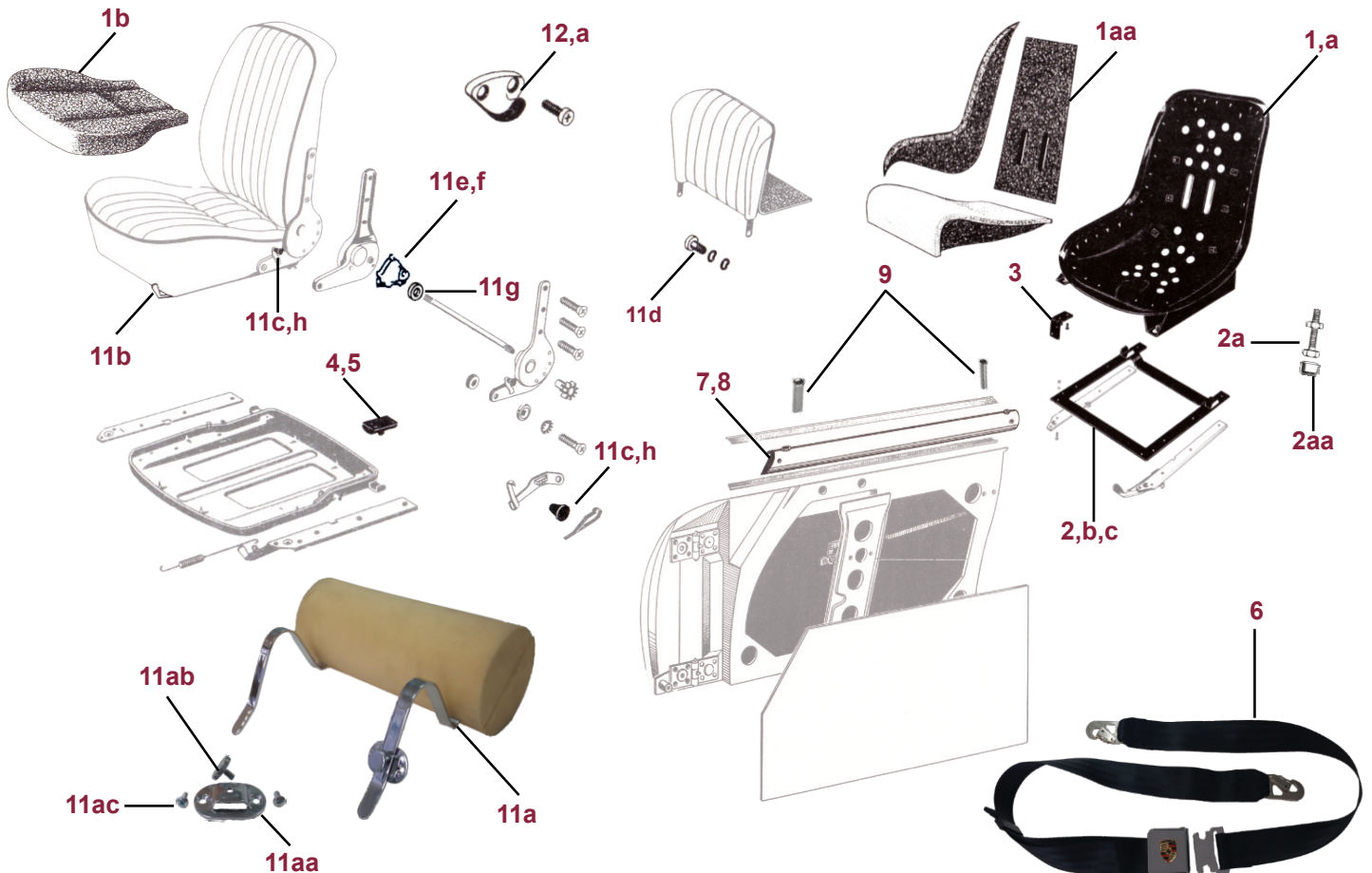




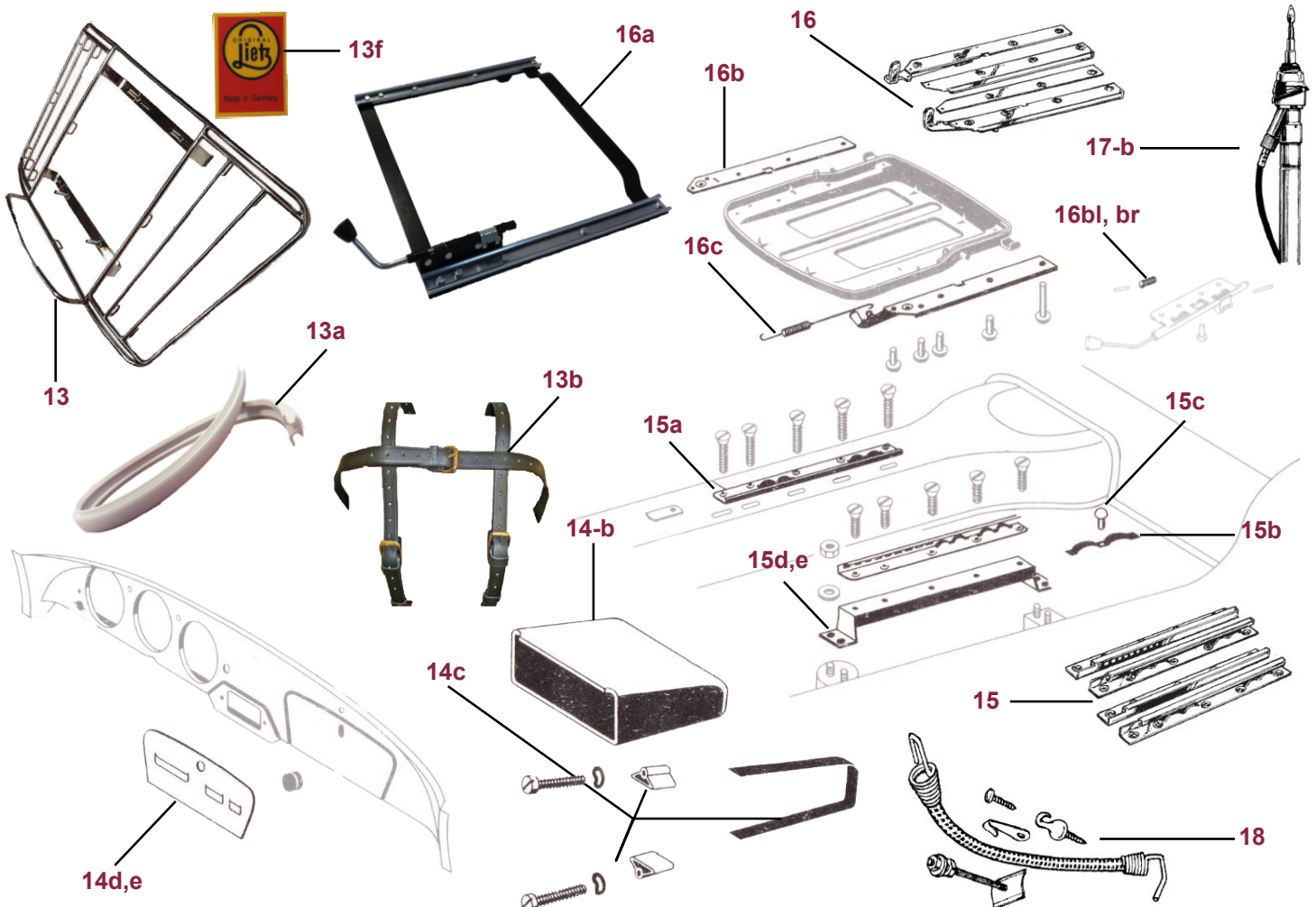
2201	Haargarn - Boucle, tan, per square meter, wide 1,4m		all 356
2202	Haargarn - Boucle, red, per square meter, wide 1,4m		all 356
2203	Haargarn - Boucle, green, per square meter, wide 1,4m		all 356
2204	Haargarn - Boucle, blue, per square meter, wide 1,4m		all 356
2206	Haargarn - Boucle, anthracite, per square meter, wide 1,4m		all 356
2207	Haargarn - Boucle, oatmeal, per square meter, wide 1,4m		all 356
2207a	floor carpet set, original, Haargarn - Boucle, specify colour and model	CLP 551 XXX.XX	all 356
2207aa	additional floor carpet set, instead of rubber mats, set of 5 pieces, specify colour and model		all 356
2208	velours for seat, length 0,5 m, wide 1,4m		904
2211	headliner, cotton, grey or tan, pre finished	644 555 401 00	356 pre A
2211a	headliner, no sunroof, tan, pre finished	644 555 501 00	356 A - C
2211aa	headliner, no sunroof, „Concours“ quality, OEM	644 555 501 00	356 A - C
2211b	headliner, with electric sunroof, tan, pre finished	644 555 501 06	356 B T6/C
2211bb	headliner, with electric sunroof, „Concours“ quality, OEM	644 555 501 06	356 B T6/C
2211c	headliner, with mechanic sunroof, tan, pre finished	644 555 501 05	356 A T2 -B T5
2211cc	headliner, with mechanic sunroof, „Concours“ quality, OEM	644 555 501 05	356 A - B T5
2211e	profiled rubber for cross strut, 8 required	644 555 515 00	356 A - C coupe
2212a	cover for softtop, „Sonnenland“, specify colour and model	644 561 082 01	356 A - C cabrio
2213a	tonneau cover, specify colour and model		Speedster
2215	inner ceiling for softtop, tan	CLP 561 093	356 A - C cabrio
2215a	wadding for softtop	644 555 501 21	356 A - C cabrio
2215b	tonneau cover, small version, „Sonnenland“, black, specify model	644 561 095 01	all 356
2216	cocomat set, 4 pieces, front and rear, like original, specify colour and model	644 551 101 16	all 356
2217l	cover for softtop hinge, without lining, left	CLP 555 087 25	356 A T2 - C cabrio
2217r	cover for softtop hinge, without lining, right	CLP 555 088 25	356 A T2 - C cabrio
2218	screw set for hinge cover, 1 set for left and right	CLP 555 003 00	356 A T2 - C cabrio



2301	seat shell for Speedster, authentic steel construction	644 521 061 40	all 356
2301a	seat shell for Speedster, GT-version, aluminium, best quality	644 521 061 50	all 356
2301aa	cushion set for Speedster seat shell, formed, 4 pieces for 1 seat	644 521 503/504	all 356
2301b	foam cushionfor seat, made by „Reutter“	644 521 501 42	356 A T2 - C
2302	seat frame for speedster seat shell, hardwood, left or right	644 521 001 00	356 A
2302a	seat backrest stop for speedster seat shell, set for 2 seats	CLP 521 014 00	all 356
2302aa	seat backrest stop for speedster seat shell	CLP 521 014 01 ,	all 356
		644 025 615 00	
2302b	seat frame for speedster seat shell, steel, left or right	644 521 011 42	356 A - B T5
2302c	seat frame for speedster seat shell, steel, left or right	644 521 011 06	356 B T6/C
2303	hinge set for speedster seat, 4 pieces for 2 seats	644 521 351/352 40	all 356
2304	rubber base for seat backrest stop, 2 per seat required	644 521 191 00	356 A - B T5
2305	rubber base for seat backrest stop, 2 per seat required	644 521 191 01	356 B T6/C
2306	seat belt, with crest, very close to the original, with hardware, specify colour	CLP 803 901 05	all 356
2306a	3-point seat belt, for 1 seat, modern style		all 356
2306b	hardware for shoulder seat belt, set for 1 car	CLP 803 123 21	356 B T6/C
2306c	plastic rosette, black, for shoulder seat belt	644 803 123 00	356 B/C, 911
2307	inside door top trim panel, with side curtain sockets, left	644 555 037 40	Speedster
2308	inside door top trim panel, with side curtain sockets, right	644 555 038 40	Speedster
2309	side curtain socket, pair for 1 trim panel, chrome plated	CLP 542 001 00	Speedster
2310	wood arm rest set, pair for left and right, without lining	CLP 555 043 00	356 C
2311a	headrest, complete for 1 seat, with hardware and bracktes, without lining	644 521 085 13	all 356
2311aa	chrome bracket for headrest, with hardware, 2 per seat required	644 521 087 05	all 356
2311ab	special screw for headrest, chrome plated, 2 per seat required		all 356
2311ac	screw for bracket, 4 per seat required		all 356
2311b	knob for adjusting lever, black	644 521 371 06	356 B T6/C
2311c	knob for reclining seat bracket, black	644 521 715 00	356 A T2 - C
2311d	grub screw with plain bracket for backrest rear seats, chrome plated	644 025 121 00	all 356
2311e	seat recliner mechanism cover set, grey, driver seat	644 521 915 00	356 C
2311f	seat recliner mechanism cover set, grey, passenger seat	644 521 916 00	356 C
2311g	rubber grommet for seat recliner mechanism, left or right		356 B/C
2311h	conical knob for seat recliner, „Recaro“- version	CLP 521 371 06	late 356 C
2312	cloth hooock, with hardware	644 552 871 00	356 A T2 - C
2312a	cloth hooock, with hardware		356 A T1



2313	luggage rack, „Lietz“, with white buffers for suitcase, incl. hardware, original order number „9510“, stainless steel polished	644 801 010 02	all 356
2313a	white buffers for luggage rack, 1 set per rack	CLP 801 00 00	all 356
2313b	leather strap for luggage rack, natural or black	644 801 953 01	all 356
2313c	luggage rack, „Reutter“, silver metallic coated, incl. hardware, original order number „9501“	644 801 010 03	all 356
2313e	mounting hardware for „Lietz“ luggage rack	CLP 801 033 00	all 356
2313f	decals for „Lietz“ luggage rack	644 701 801 00	all 356
2314	glove box insert	356 70 123	356 pre A
2314a	glove box insert	644 552 501 00/01	356A/B
2314b	glove box insert	644 552 501 02	356 C
2314c	tension strap for glove box insert	644 552 531 00	356 A - C
2314d	lid liner for glove box, grey, leather imitation	644 552 037 00	356 A - B T6
2314e	lid liner for glove box, grey, leather imitation	644 552 037 01	356 C
2315	lower seat rail set, complete for left and right, 4 pieces	CLP 521 031 00	356 - B T5
2315a	lower guide rail, 2 per seat required	644 521 301 06	356 B T6/C
2315b	spring for seat rails, 4 per seat required	644 521 322 00	356 - B T5
2315c	rivet for seat rail spring, 4 per seat required	900 055 010 30	356 - B T5
2315d	support for seat rails, left and right, powder coated, set for 1 car	644 521 017/018 00	356 A - B T5
2315e	support for seat rails, left and right, set for 1 car	356 59 117 and 118	356 pre A
2316	upper seat rail set, left and right, with chrome plated knob, set for 1 car	CLP 521 033 00	356 - B T5
2316a	seat rail set, complete with frame, left and right, set for 1 car	CLP 521 033/034 41	356 B T6/C
2316b	upper seat rail, zinc plated	644 521 303 06	356 B T6/C
2316bl	spring for seat lever, left	644 521 333 06	356 B T6/C
2316br	spring for seat lever, right	644 521 334 06	356 B T6/C
2616c	spring for seat tension	644 521 333 00	356 A - B T5
2317	antenna, chrome plated, reproduction	CLP 912 001 41	all 356
2317a	antenna „Hirschmann“, with red tip	644 645 001 00	356 A - B
2317b	antenna „Bosch“, with blue tip	CLP 645 001 01	356 C
2318	bungee cors for rear set, with hardware	644 522 751 00	356 A
2319	interior leather strap for suitcase, natural or black	644 802 951 00/01	all 356





- 2400 rubber floor mat, front, with snap fasteners
- 2401 rubber floor mat, front, with snap fasteners
- 2401a rubber floor mat, with tunnel and rear mats, tan, with snap fasteners
- 2401b rubber floor mat, front, with snap fasteners
- 2402 rubber floor mat, front, with snap fasteners
- 2402a rubber floor mat, front, with snap fasteners, rhd
- 2403 snap fasteners set, for 1 car
- 2404 tunnel mat
  
- 2405 tunnel mat
  
- 2405a tunnel mat
- 2405b tunnel mat, heater knob behind the shifter
- 2405c tunnel mat, heater knob in front of the shifter
- 2405d tunnel mat, without any holes
- 2405e hold down tab, in front of tunnel cover, 2 required
- 2406 rubber floor mat, rear, pair for left and right
- 2407 rubber floor mat, rear, pair for left and right
- 2408 rubber luggage mat, in front of tank
- 2408a rubber luggage mat, in front of tank
- 2409 plastic luggage mat, for tank
- 2409a plastic luggage mat, for 70l touring tank
- 2410 cocomat set, 4 pieces, front and rear, like original, specify colour and model
- 2411 luggage for trunk, black or brown, leather

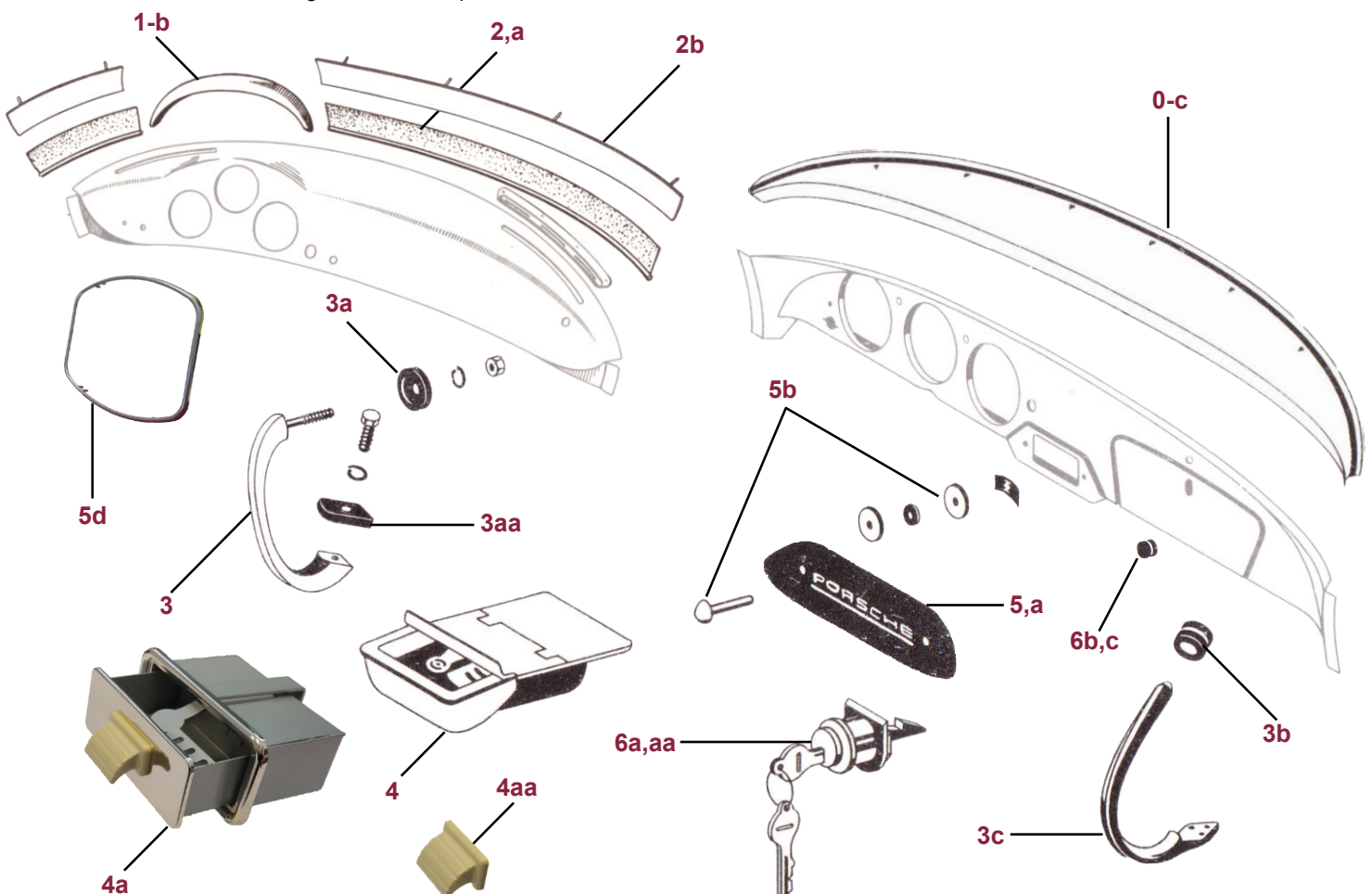
- 356 53 803
- 644 551 101 00
- CLP 551 101 00 400
- 644 551 101 05
- 644 551 101 06
- 644 551 102 06
- 999 591 806 12
- 644 551 111 05
  
- 644 551 111 07
  
- CLP 53 807
- CLP 551 111 01
- CLP 551 111 00
- CLP 551 111 10
- 644 501 643 00
- CLP 551 121 00
- CLP 551 121 06
- 644 551 103 00
- 356 53 800
- 644 551 103 06
- 644 551 106 07
- 644 551 101 16

- 356 pre A
- 356 A
- 356 A
- 356 B T5
- 356 B T6/C
- 356 B T6/C
- all 356
- all 356 B and
- 356 C Carrera 2
- 356 C,
- no 356 C Carrera 2
- 356 pre A
- 356 A (1955 - 1957)
- 356 A T2
- 356 A Carrera GT
- 356 A - B T5
- 356 - B T5
- 356 B T6/C
- 356 A - B T5
- 356 pre A
- 356 B T6/C
- 356 B T6/C
- all 356

356 A - B T5

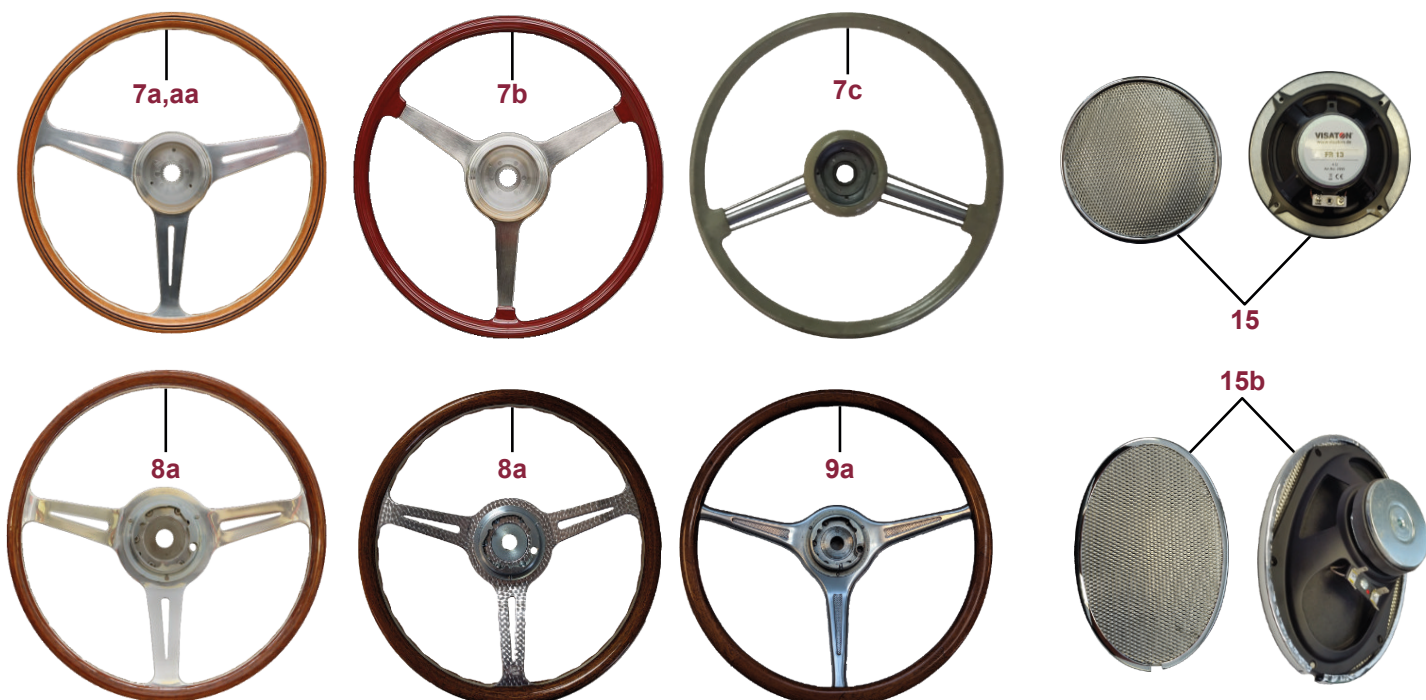
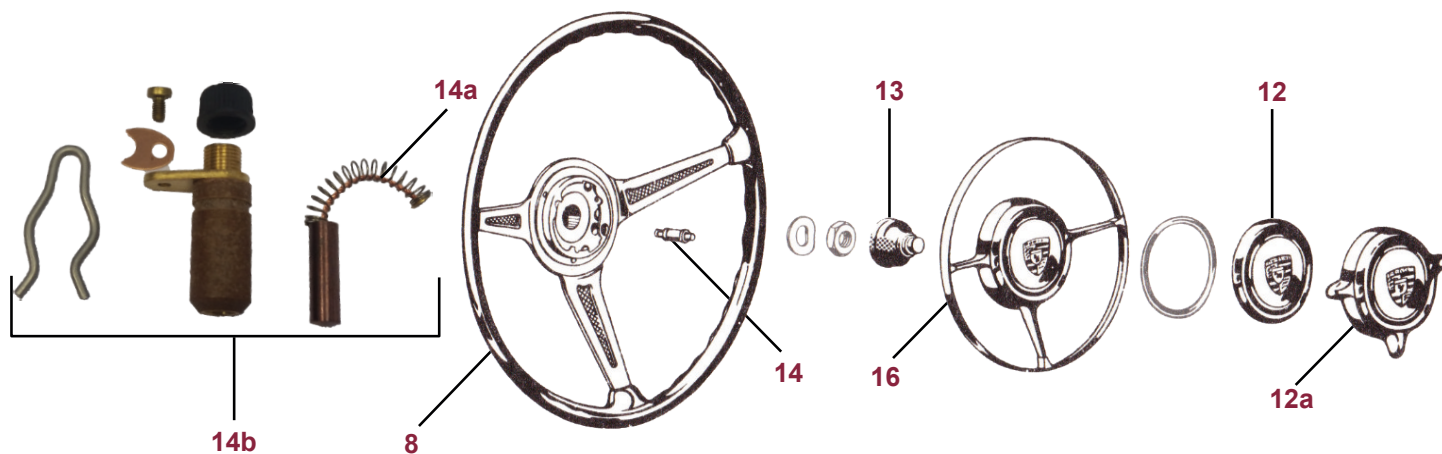


2500	upper cover over dashboard, without lining	644 552 033 00	356 A - B T6
2500a	upper cover over dashboard, aluminium, without lining	644 552 033 10	356 B GT
2500c	upper cover over dashboard, without lining	644 552 033 07	356 C
2501	wooden dash eyebrow instrument gauge cluster shade, 1955 - 56	644 552 310/311 40	356 pre A Speedster
2501a	wooden dash eyebrow instrument gauge cluster shade, 1956 - 58	644 552 312 40	356 A Speedster
2501b	wooden dash eyebrow instrument gauge cluster shade	644 552 311 45	Convertible D/Roadster
2502	dashboard beading set, 6 pieces	644 555 300 40	Speedster
2502a	dashboard beading set, 4 pieces	644 555 300 45	Convertible D/Roadster
2502b	cushion plate set, 2 pieces	644 552 301 XX	Speedster, Convertible D and Roadster
		644 552 302 XX	Speedster/Roadster
2502c	rear cowl set, aluminium, 3 pieces		Speedster, Convertible D and Roadster
2503	dashboard crab handle, chrome plated, with rubber base and hardware	CLP 552 865 40	Speedster, Convertible D and Roadster
2503a	rubber base for crab handle, above	CLP 552 867 40	Speedster, Convertible D and Roadster
2503aa	rubber base for crab handle, below	644 531 632 00	Speedster, Convertible D and Roadster
2503b	rubber grommet for crab handle	GHE 39 304	356 A - B coupe/cabrio
2503c	dashboard crab handle, chrome plated, with rubber grommet and hardware	644 552 865 00	356 A T2 - B T6 coupe/cabrio
2503d	dashboard crab handle, used, with hardware	644 552 865 01	356 C
2504	ashtray, under dashboard, chrome plated	CLP 552 061 01	356 A T2 - C
2504a	ashtray, with knob, chrome plated	644 552 061 00	356 - A T1
2504aa	knob for ashtray and glove box, ivory		356 pre A
2505	dash cover nameplate for cars without radio, tan	CLP 552 431 00 600	356 A
2505a	dash cover nameplate for cars without radio, black	CLP 552 431 00 700	356 B/C
2505b	hardware set for dash cover nameplate	CLP 552 003 00	356 A - C
2505c	knob for radio, black	CLP 645 013 00	356 B/C
2505d	trim for radio	356 70 421	356 pre A
2506a	lock for glove box, with 2 keys	644 552 550 05	356 A - B
2506aa	lock for glove box, with 2 keys	644 552 550 06	356 C
2506b	lid buffer for glove box, 4 required	644 025 631 00	356 A - B
2506c	lid buffer for glove box, 2 required	999 703 035 50	356 C





2507a	steering wheel, wood rimmed, VDM, 400 mm, reproduction		356 A and 550 A Spyder
2507aa	steering wheel, wood rimmed, VDM, 400 mm, reproduction without horn button and cancelling ring for turn signal switch		356 A and 550 A Spyder
2507b	steering wheel, bakelite, red, reproduction	718 347 801 00	356 A, 718 RSK
2507c	steering wheel, bakelite, bright tan, reproduction	CLP 347 082 20	356 A
2508	steering wheel, bakelite, black, reproduction	644 347 801 06	356 B/C
2508a	steering wheel, wood rimmed, „Les Leston“, reproduction		356 B/C
2509a	aluminium, without horn button and cancelling ring for turn signal switch		
2509a	steering wheel, wood rimmed, in 9 sections, reproduction, only in exchange for original bakelite steering wheel in very good condition	644 347 082 12	356 B T6/C, Carrera 2
2511	horn button, with chrome ring, ready for use	644 347 821 01	356 - A
2512	crest for horn button	644 347 822 05	356 B/C
2512a	horn button, with crest and rubber cuff, ready to use	644 347 803 05 u.	356 B/C
2513	rubber cuff for horn button	644 347 836 05	356 B/C
2514	horn contact in horn button	644 347 836 05	356 B/C
2514a	brush for horn contact in steering column	644 347 831 05	356 B/C
2514b	horn contact with hardware in steering column	644 347 732 00	356 A
2515	grille for speakers, round version, with speakers, set for 1 car	644 347 731 00	356 A
2515a	grille for speakers, square version, with speakers, set for 1 car	644 645 901 00	356 B T6/C
2515b	grille for speakers, oval version, with speakers, set for 1 car	CLP 645 501 00	356 B T6
2516	chrome horn ring, with horn button and crest, ready for use	644 347 085 05	356 A - B T5
			356 B/C

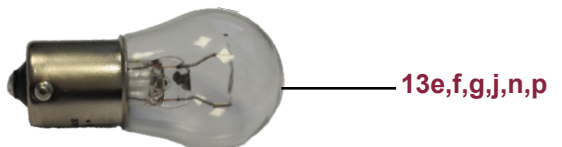
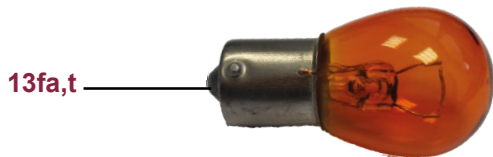
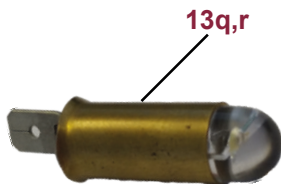
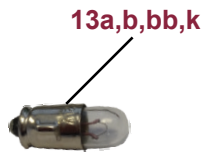
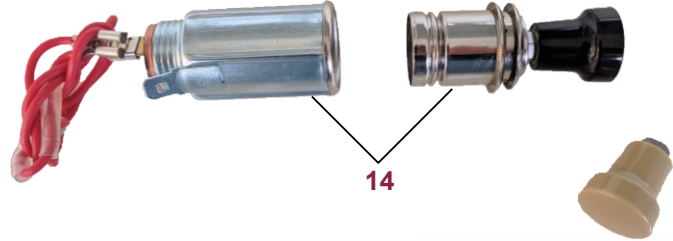
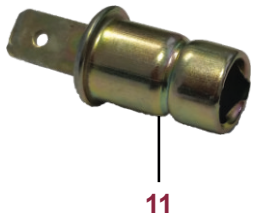




2601	ignition switch, screw type terminal, with 2 keys, „Bosch“- writing	644 613 101 01	356 A T1
2601a	ignition switch, bullet style, with 2 keys, „Porsche“- writing	644 613 101 06	356 A T2 - C
2601aa	ignition switch, bullet style, with 4 keys, „Porsche“- writing, and 2 matching door lock cylinders	CLP 613 101 00	356 A T2 - C
2601b	key blank, K-100 series locks, „Porsche“- writing	644 613 901 09	356 A - B T5
2601c	key blank, K-300 series locks, „Porsche“- writing	644 613 901 10	356 B T6/C
2601d	chrome bezel for ignition switch	644 613 191 03	356 A T2 - C
2601da	chrome bezel for ignition switch	644 613 191 00	356 A T1
2601e	hex nut for ignition switch	CLP 613 101 20	356 A T2 - C
2601f	security ring for ignition switch	CLP 613 101 21	356 A T2 - C
2602	wiper switch, 4 pol	644 613 501 01	356 - B T5
2602a	knob, small version, black	644 552 831 00 700	356 B/C
2602aa	knob, small version, tan	644 552 831 00 500	356 A and Spyder
2602ab	knob for wiper motor, ivory		356 split window
2603a	pull switch for twin ignition and fuel pump, 2 terminals, without bezel and without knob	718 613 501 00	356 A - B T5, Spyder
2603c	chrome bezel for pull switch		
2604	interior light	644 628 128 00	all 356
2604a	interior light, original „Hella“, NOS	644 632 101 00	356 - A
2605	interior light, with aluminium bezel	356 61 060	356 per A
2606	interior light, black bezel	644 632 101 03	356 A T2 - C
2606a	interior light, chrome bezel	901 632 101 28	911
2607	door switch for interior light, with spade connect	901 632 101 00	356 C Coupe
2607a	door switch for interior light, with bullet connect	644 615 601 00	356 A - B T5
2607b	coil for cigarette lighter, 12 Volt	644 615 601 06	356 B T6/C
2607c	coil for cigarette lighter, 6 Volt	644 652 112 00	356 A - C
2607d	knob for cigarette lighter, specify colour	644 652 115 00	356 A - C
2608	switch for reverse light in the tunnel		all 356
2608a	switch for reverse light on the transmission	644 613 541 00	356 - A
2609	warning lights in dashboard, set of 3 lights in red, green and blue	695 613 541 00	356 B/C
		CLP 61 073	356 pre A and Spyder



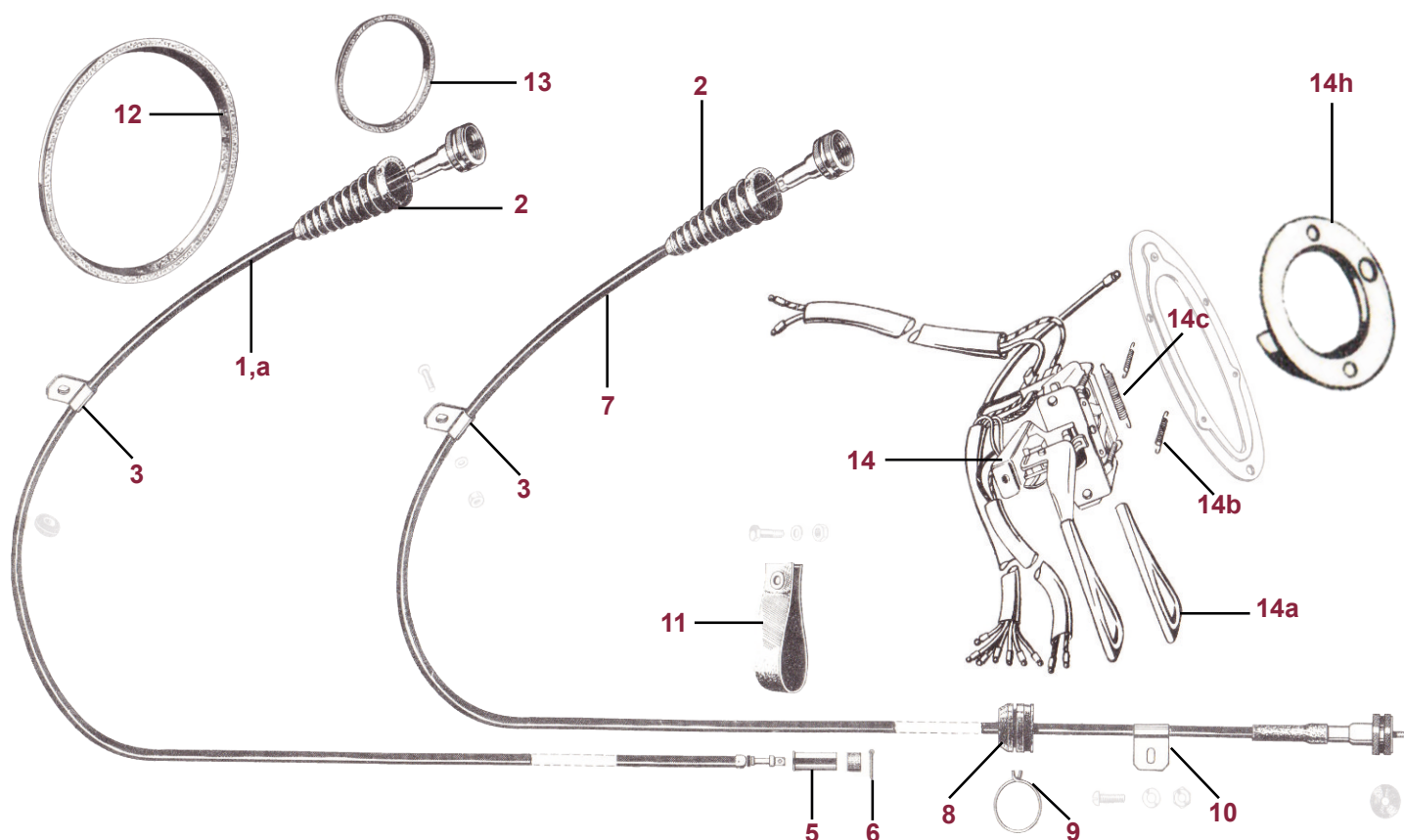
2610	bulb holder with double spade connection	644 741 902 00	all 356
2611	bulb holder with single spade connection	644 741 901 00	all 356
2612a	bulb holder with single screw connection	644 741 901 00	all 356
2613a	bulb 6 Volt, 0,6 Watt for instrument illumination	900 631 001 90	all 356
2613b	bulb 6 Volt, 1,2 Watt für warning lights in instrument	900 631 002 90	all 356
2613bb	bulb 6 V, 2W	900 631 001 06	all 356
2613c	bulb 6 Volt, 5 Watt	900 631 004 90	all 356
2613d	bulb 6 Volt, 10 Watt	900 631 015 90	all 356
2613e	bulb 6 Volt, 18 Watt	900 631 007 90	all 356
2613f	bulb 6 Volt, 21 Watt	900 631 011 00	all 356
2613fa	bulb 6 Volt, 21 Watt, orange		all 356
2613g	bulb 6 Volt, 25 Watt	900 631 010 60	all 356
2613h	bulb 6 Volt, 10 Watt Sofitte, length 43,50 mm	900 631 006 90	all 356
2613ha	bulb 6 Volt, 5 Watt, Sofitte, length 38 mm	900 631 005 90	all 356
2613i	bulb 6 Volt, 21/5 Watt	900 631 008 90	all 356
2613j	bulb 6 Volt, 35 Watt for original fog lights	900 631 012 90	all 356
2613k	bulb 12 Volt, 2 Watt for instrument illumination	900 631 102 90	all 356
2613l	bulb 12 Volt, 5 Watt for rear lights and license plate light		all 356
2613m	bulb 12 Volt, 10 Watt	900 631 115 90	all 356
2613n	bulb 12 Volt, 21 Watt for turn signal and stop light		all 356
2613o	bulb 12 Volt, 10 Watt, Sofitte	900 631 105 90	all 356
2613p	bulb 12 Volt, 35 Watt	900 631 112 90	all 356
2613q	LED bulb for instruments, 6 Volt	900 631 LED 06	all 356
2613r	LED bulb for instruments, 12 Volt	900 631 LED 12	all 356
2613s	bulb 12 Volt, 21/5 Watt	900 631 118 90	all 356
2613t	bulb 12 Volt 21 Watt, orange		all 356
2614	cigarette lighter 6 Volt, reproduction, with knob black or tan	644 652 101 01	356 A - C



### Zusammenstellung der Lampen

	356	356 A	356 B	356 C	12-V-Anlage (Sonderwunsch)
Fern- und Abblendlicht .....	6 V - 35/35 W	6 V - 35/35 W	6 V - 45/40 W	6 V - 45 40 W	12 V - 45/40 W
Blinkleuchte (Typ 356 Blink-Standleuchte) .....	6 V - 20/5 W	6 V - 15 W	6 V - 18 W	6 V - 18 W	12 V - 18 W
Begrenzungsleuchte .....	6 V - 3 W	6 V - 4 W	6 V - 4 W	6 V - 4 W	12 V - 4 W
Blink-Bremsleuchte .....	6 V - 20 W	6 V - 15 W	6 V - 18 W	6 V - 18 W	12 V - 18 W
Schlußleuchten .....	6 V - 5 W	6 V - 5 W	6 V - 5 W	6 V - 5 W	12 V - 5 W
Kennzeichen- beleuchtung .....	6 V - 15 W	6 V - 10 W	6 V - 5 W	6 V - 5 W	12 V - 5 W
Rückfahrleuchte .....	6 V - 25 W	6 V - 25 W	6 V - 25 W	6 V - 25 W	12 V - 25 W
Innenleuchte .....	6 V - 15 W	6 V - 15 W	6 V - 10 W	6 V - 10 W	12 V - 10 W
Drehzahlmesser- beleuchtung .....	6 V - 0,6 W	6 V - 0,6 W	6 V - 0,6 W	6 V - 1,2 W	12 V - 2 W
Fernlichtkontroll- lampe .....	6 V - 0,6 W	6 V - 0,6 W	6 V - 0,6 W	6 V - 1,2 W	12 V - 2 W
Blinkerkontrolllampe .....	6 V - 1,2 W	6 V - 1,2 W	6 V - 1,2 W	6 V - 1,2 W	12 V - 2 W
Combi-Instrumenten- beleuchtung .....	6 V - 1,2 W	6 V - 1,2 W	6 V - 1,2 W	6 V - 1,2 W	12 V - 2 W
Lichtmaschinen- kontrolllampe .....	6 V - 1,2 W	6 V - 1,2 W	6 V - 1,2 W	6 V - 1,2 W	12 V - 2 W
Öldruck- kontrolllampe .....	6 V - 1,2 W	6 V - 1,2 W	6 V - 1,2 W	6 V - 1,2 W	12 V - 2 W
Handbrems- kontrolllampe .....	—	—	—	6 V - 1,2 W	12 V - 2 W
Nebellampe (Sonderwunsch) ...	—	—	—	6 V - 35 W	12 V - 35 W

2701	speedo cable, lhd	644 741 111 00	all 356
2701a	speedo cable, rhd	644 741 112 00	all 356
2702	rubber boot for tacho- or speedo cable	356 23 204	all 356
2703	clamp for tacho- or speedo cable under dashboard, 8 mm	999 511 041 02	all 356
2705	rubber grommet for speedo cable in left stub axle	644 741 241 00	all 356
2706	cotter pin for speedo cable	900 021 006 00	all 356
2707	tacho cable with braided steel covering	644 741 311 01	all 356
2707a	insert for tacho cable	644 741 903 00	exept Carrera all 356
2707aa	tacho cable without covering	644 741 311 00	exept Carrera
2707ab	tacho cable	644 741 311 04	356 - A T2
2707ac	tacho cable		356 Carrera
2708	rubber grommet for tacho cable, rear	644 025 622 01	550, 718 Spyder
2709	clamp for rubber grommet for tacho cable, rear	644 025 682 00	550, 718 Spyder
2710	clamp for tacho cable in engine compartment, 16 mm	999 511 036 02	all 356
2711	strap for tacho cable in left front fender	999 706 009 80	356 A T2 - C
2712	rubber gasket for instrument, 95 mm	999 704 126 50	356 A T1 - C
2713	rubber gasket for instrument, 52 - 60 mm	999 704 124 50	all 356
2714	turn signal switch with correct plastic handle	644 613 301 05	356 B/C
2714a	plastic handle for turn signal switch	644 552 853 05	356 B/C
2714b	spring for turn signal switch, 2 required	644 613 352 05	356 B/C
2714c	spring for turn signal switch, 1 required	644 613 351 05	356 B/C
2714d	plastic handle for turn signal switch, specify colour	644 552 853 00	356 A
2714e	turn signal switch, repro	CLP 613 301 00	356 A
2714f	release ring for turn signal switch	901 613 325 05	356 B/C
2714g	turn signal switch in steering column	CLP 62 027	356 pre A
2714h	release ring for turn signal switch	644 613 325 00	356 A
2714i	wire cover dust for steering column		356 A
2714j	red lens for turn signal switch „SWF“	CLP 62 027	356 pre A
2715	chrome ring for instrument, 60 mm	CLP 741 002 00	356 A T1 - C
2715a	chrome ring for instrument, 52 mm		
2716	chrome ring for instrument, 95 mm	CLP 741 001 00	356 A T1 - C
2717	eyebrow for speedo and tacho	356 70 424	356 per A
2717a	eyebrow for temperatur and fuel gauge	356 70 426	356 per A
2718	curved glass for instrument		356 pre A





2719	clock, 6 Volt, in exchange *	644 741 701 11	356 B T6/C
2719a	clock, 12 Volt, in exchange *	644 741 702 16	356 B T6/C
2719b	clock, 12 Volt, in exchange for 6 Volt *	644 741 702 16	356 B T6/C
2719c	clock, 6 Volt, in exchange *	644 741 701 10	356 A - B T5
2719ca	clock, 12 Volt, in exchange *		356 A - B T5
2720	speedo, 200 km/h, in exchange, specify model *	644 741 101 XX	356 A - C
2720a	speedo, 200 km/h, in exchange for 120 mph, specify model *	644 741 101 XX	356 A - C
2720b	speedo, 250 km/h, in exchange for 120 mph or 200 km/h, specify model *	644 741 102 XX	356 A - C
2720c	speedo, 280 km/h, in exchange for 120 mph or 200 km/h *	904 741 101 00	904 GTS
2720d	speedo, 250 km/h, in exchange, specify model *	644 741 102 XX	Carrera
2720f	knurled nut for instrument		all 356
2721	tacho, mechanic, in exchange, specify model *	644 741 301 XX	356 A - C
2721a	tacho, electronic, in exchange, specify model *		356 C/SC, Carrera 2
2721b	tacho, 8000 U/min, mechanic, in exchange for an used 60/75/90 PS tacho, specify model	644 741 302 05	Carrera
2721c	tacho, electronic, in exchange for an used mechanic 60/75/90 PS tacho, Specify model and voltage		356 A - C
2721d	tacho, electronic, 12 V, specify model		356 A/B 1500/1600 Carrera GS/GT
2721e	tacho, electronic, 12 V		356 SC
2721f	tacho, electronic, 12 V		904 GTS 4 cylinder Carrera
2721g	tacho, electronic 6 Volt, specify model		Carrera
2721h	tacho drive, specify model	547 18 002	Carrera
2722	combi gauge, 6 Volt in exchange **	644 741 501 XX	356 A - C
2722a	combi gauge, 12 Volt in exchange **	644 741 502 XX	356 A - C
2722b	combi gauge, 12 Volt in exchange for 6 Volt **	644 741 502 XX	356 A - C
2722c	combi gauge, triple cluster like original, 6 or 12 Volt, incl. oil temperatur and oil pressure sender	904 741 501 00	356 A - C, 904
2723	oil pressure gauge, 52 mm, 6 Volt, „VDO“, with sender		
2723a	oil pressure gauge, 52 mm, 12 Volt, „VDO“, with sender		
2724	oil temperatur gauge, 52 mm, 6 V, „VDO“, with sender		
2724a	oil temperatur gauge, 52 mm, 12 V, „VDO“, with sender		
2724b	ampere gauge, 6/12 Volt		
2725	oil temperatur gauge „Störk“, electronic, 6/12 Volt, with sender		356 pre A
2726	outdoor temperatur sensor „Motometer“, in degree Celcius, 12 V		356 B T6/C
2726a	in/outdoor temperatur sensor „Motometer“, in degree Celcius, 12 V		356 B T6/C

\* = perfectly repaired, with rubber gasket

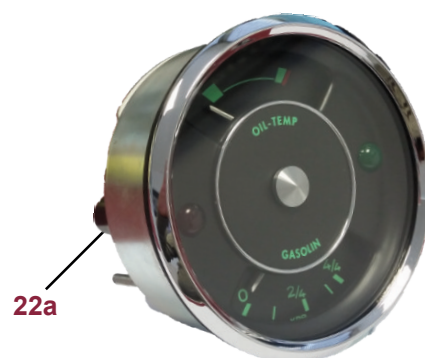
\*\* = perfectly repaired, with rubber gasket and oil temperatur sensor, specify model



20



23



22a



21e

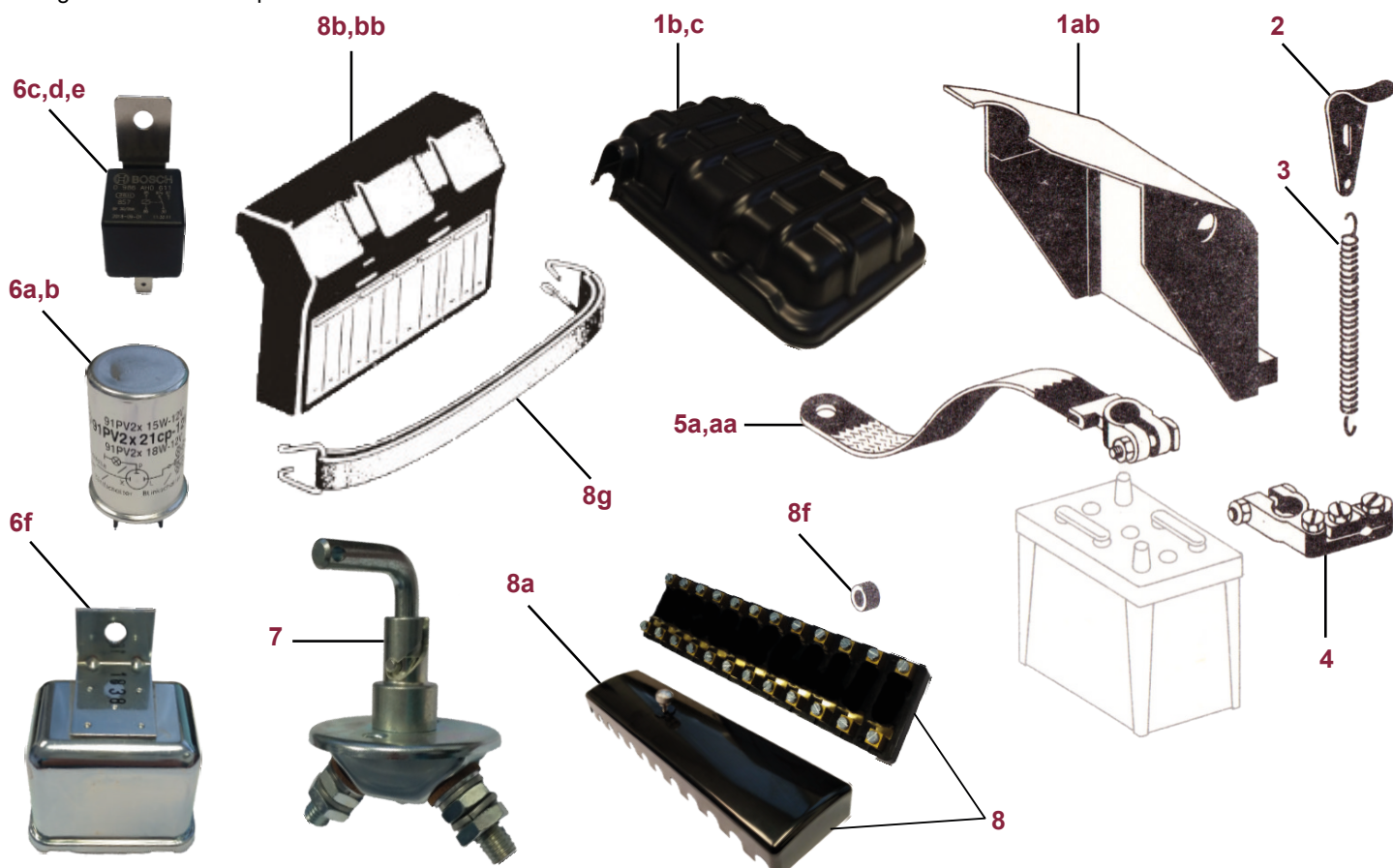


19

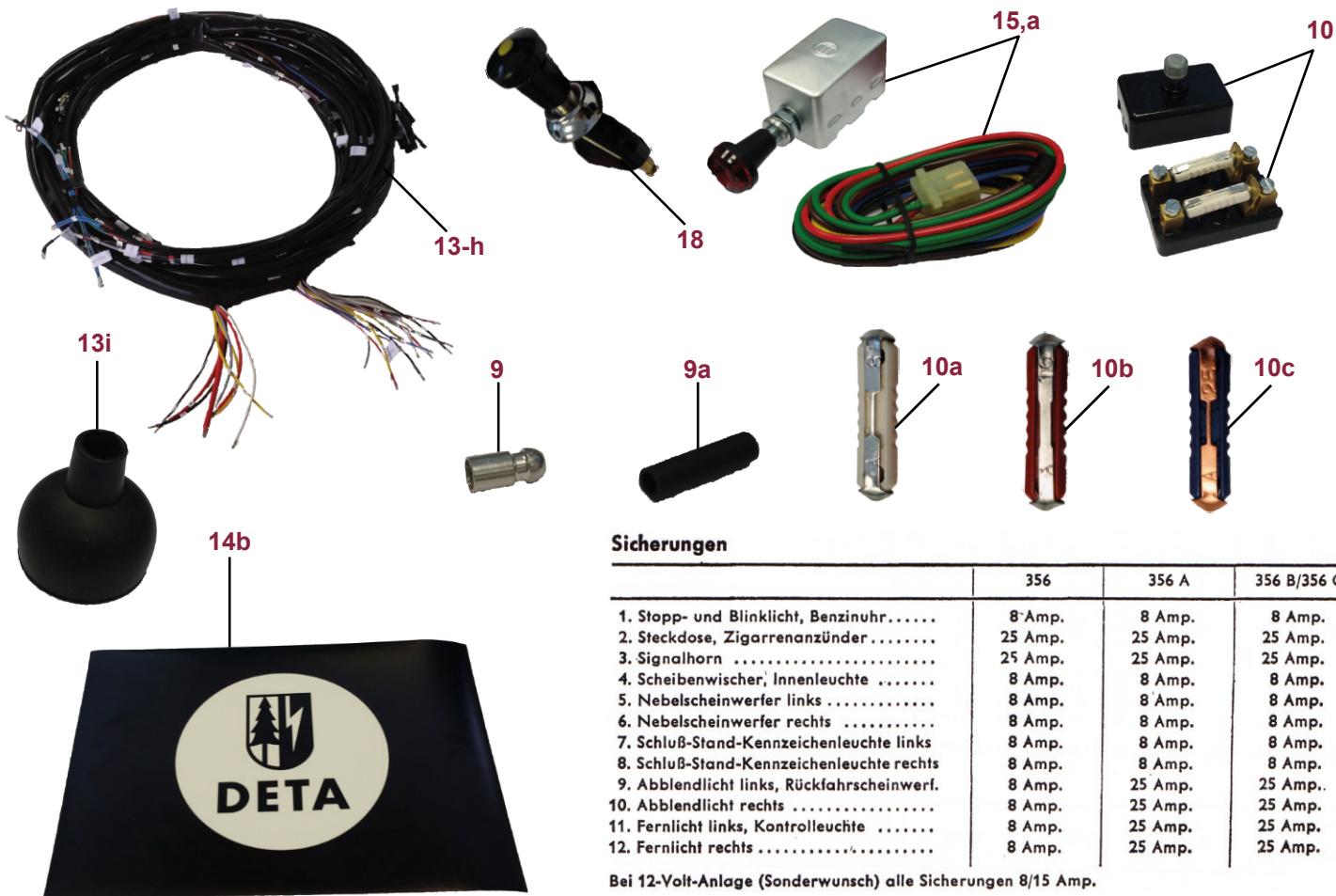


22c

2901	battery platform, made of wood	644 611 110 00	from may 1952 till late A T1
2901aa	battery cover, early type, made of steel		356 pre A
2901ab	battery cover, concours quality	644 611 015 02	356 A - B T5
2901b	battery cover, for 6V or 12V, 235 mm length and 175 mm wide	644 611 121 00	356 B T6/C
2901bb	battery cover, for 6V or 12V, made of carbon, 235 mm length and 175 mm wide		356 B T6/C
2901c	battery cover, for 6V or 12V, 260 mm length and 135 mm wide	644 611 121 10	356 B T6/C
2901d	rubber strap vor battery	644 611 155 00	356 B T6/C
2902	cover clip for battery cover, 2 required	644 611 151 00	356 - B T5
2903	retaining spring for battery cover, 2 required	644 611 153 00	356 - B T5
2904	positiv terminal clamp	644 611 311 00	all 356
2905a	battery ground strap, 340 mm length	644 612 301 00	356 - B T5
2905aa	battery ground strap with clamp, 285 mm length	644 612 301 01	356 B T6/C
2905b	gearbox ground strap, type 519, 177 mm length	644 612 305 00	356 - A
2905bb	gearbox ground strap, type 644, 716, 741, 280 mm length	741 612 305 00	356 A - C
2906a	turn signal flasher relay, 6 Volt	644 613 342 00	all 356
2906aa	turn signal flasher relay for LED		all 356
2906b	turn signal flasher relay, 12 Volt	644 613 342 10	all 356
2906c	relay for foglight, 6 Volt, reproduction	CLP 615 101 00	all 356
2906d	relay for foglight, 12 Volt, reproduction	CLP 615 106 00	all 356
2906e	relay for signal light, 6 Volt, reproduction	CLP 615 101 00	all 356
2906f	relay for signal light, 12 Volt, reproduction	CLP 615 104 00	all 356
2906g	relay for horn, 6 Volt, reproduction	CLP 615 101 00	all 356
2906h	relay for horn, 12 Volt, reproduction	CLP 615 102 00	all 356
2907	main switch for battery	644 613 521 50	all 356
2908	fuse block, with cover and fuses but without label, screw in offset position, like original	644 612 801 00	all 356
2908a	cover for fuse block, screw in offset position, like original, without decal	CLP 612 083 00	356 - B T5
2908b	plastic fuse cover, like original	644 612 083 06	356 C
2908bb	fuse cover, like original made of cardboard, black	644 612 083 00	356 B T6
2908c	fuse cover label, copy	644 612 831 00	356 A
2908d	fuse cover label, copy	644 612 831 01	356 B T5
2908e	fuse cover label	644 612 831 06	356 B T6/C
2908f	rubber buffer for fuse box, 2 required	644 612 691 00	356 - B T5
2908g	rubber strap for fuse cover	644 628 091 00	356 B T6/C



2909	„bullet“ connector for wiring harness	999 652 102 10	all 356
2909a	„female bullet“ connector	999 652 103 10	all 356
2910	fuse box assembly, 2 pole	644 612 802 00	all 356
2910a	fuse, 8 Ampere, white	900 173 001 90	all 356
2910b	fuse, 16 Ampere, red		all 356
2910c	fuse, 25 Ampere, blue	900 173 002 90	all 356
2911	package with 5 fuses	644 721 013 00	all 356
2912	wire diagram	CLP 612 001 00	356 B T5
2913	wiring harness, complete, with discription how to use	644 612 001 02	356 pre A
2913a	wiring harness, complete, with discription how to use	644 612 001 00	356 A coupe/cabrio
2913b	wiring harness, complete, with discription how to use	644 612 001 40	356 A T2 Speedster, Convertible D
2913c	wiring harness, complete, with discription how to use		356 A Carrera 1500 early version till 1957
2913ca	wiring harness, complete, with discription how to use	644 612 001 05	356 A Carrera 1600
2913d	wiring harness, complete, with discription how to use		356 B T5 coupe/cabrio, Roadster
2913e	wiring harness, complete, with discription how to use	644 612 001 15	356 B T5 Carrera GT
2913f	wiring harness, complete, with discription how to use	644 612 001 06	356 B T6 coupe/cabrio
2913g	wiring harness with auxiliary heating, with discription how to use	644 612 001 08	356 B T6 Carrera 2
2913h	wiring harness, complete, with discription how to use	644 612 001 07	356 C/SC coupe/cabrio
2913i	rubber grommet for wiring harness and plus cable, 2 required	911 611 921 00	356 A - C
2913j	plus cable, between battery and starter, specify model		all 356
2913k	wire set, between voltage regulator and generator	644 612 037 07	all 356
2914	battery, 6 Volt 84 AH, black, dry pre charged	900 611 001 91	all 356
2914a	battery, 12 Volt 45 AH		all 356
2914b	decals for battery, (DETA), 6 or 12 Volt		all 356
2914c	battery, 6 Volt 100 AH, black, dry pre charged		all 356
2915	hazard warning lights, 6 Volt, with wiring harness		all 356
2915a	hazard warning lights, 12 Volt, with wiring harness		all 356
2918	foglight switch, with yellow dot	644 613 501 01	356 B/C
2918a	knob for foglight switch, yellow, red, green or blue	644 613 931 00	356 B/C



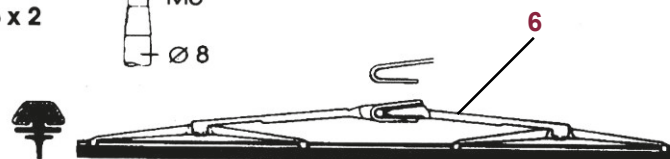
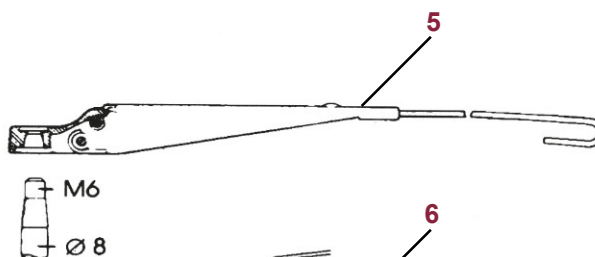
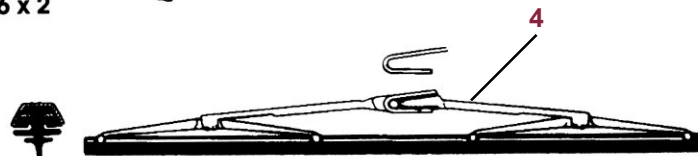
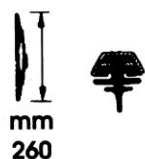
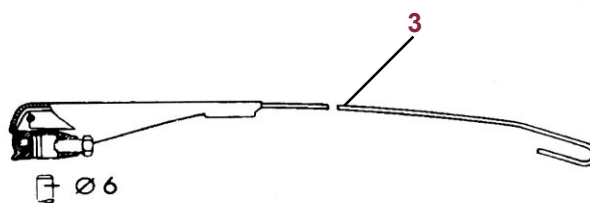
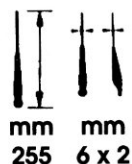
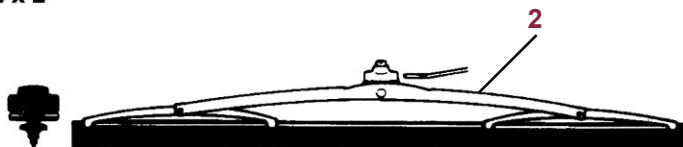
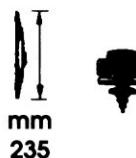
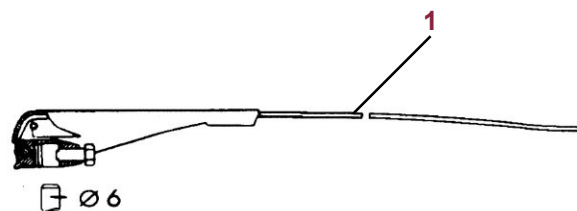
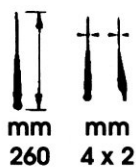
## Sicherungen

	356	356 A	356 B/356 C
1. Stopp- und Blinklicht, Benzinuhr.....	8 Amp.	8 Amp.	8 Amp.
2. Steckdose, Zigarrenanzünder .....	25 Amp.	25 Amp.	25 Amp.
3. Signalhorn .....	25 Amp.	25 Amp.	25 Amp.
4. Scheibenwischer, Innenleuchte .....	8 Amp.	8 Amp.	8 Amp.
5. Nebelscheinwerfer links .....	8 Amp.	8 Amp.	8 Amp.
6. Nebelscheinwerfer rechts .....	8 Amp.	8 Amp.	8 Amp.
7. Schluß-Stand-Kennzeichenleuchte links	8 Amp.	8 Amp.	8 Amp.
8. Schluß-Stand-Kennzeichenleuchte rechts	8 Amp.	8 Amp.	8 Amp.
9. Abblendlicht links, Rückfahrcheinwerf.	8 Amp.	25 Amp.	25 Amp.
10. Abblendlicht rechts .....	8 Amp.	25 Amp.	25 Amp.
11. Fernlicht links, Kontrolleuchte .....	8 Amp.	25 Amp.	25 Amp.
12. Fernlicht rechts .....	8 Amp.	25 Amp.	25 Amp.

Bei 12-Volt-Anlage (Sonderwunsch) alle Sicherungen 8/15 Amp.



3001	wiper arm	644 628 301 00	356 - A, 1953 - 58, coupe/cabrio/Speedster
3002	wiper blade, 235 mm	644 628 311 00	356 - A, 1953 - 58, coupe/cabrio/Speedster
3003	wiper arm	644 628 301 10	356 A - B T5 1959 - 62, coupe/cabrio, Convertible D/Roadster
3004	wiper blade, 260 mm	644 628 311 10	356 A - B T5 1959 - 62, coupe/cabrios, Convertible D/Roadster
3005	wiper arm	644 628 301 12	356 B T6/C coupe/cabrio
3006 *	wiper blade, 280 mm	644 628 311 12	356 B T6/C coupe
3007	"Nürburgring" badge		
3008	car cover, silver gray, with „Porsche“ crest		all 356
3009	touch-up paint dispenser, specify paint code	644 722 801 00	all 356
3010	„Porsche“ shop towel	644 721 915 01	all 356



Original 356 B T6/C wiper arms are 7mm wide, but the new wiper blades are just 6mm wide. If you want use your original wiper arm with new wiper blades, you can file the original wiper arm till the wiper blade fits, and give it a new paint coat afterwards.

3100	gearbox, complete with driving lever	644 628 025 00	356 - B T5 (1954 - 61)
3100a	gearbox, complete with driving lever	356 61 473	pre A (1951 - 54)
3101	rubber grommet set for wiper shaft, inner and outer, 2 required per car	CLP 628 292 00	356 - B T5
3101a	rubber grommet set for wiper shaft, inner and outer, 2 required per car	CLP 628 292 40	356 Speedster, Convertible D/Roadster
3102	retaining cap for wiper axle	644 628 295 00	356 - B T5
3103	hexagon nut for wiper axle	644 628 296 00	356 - B T5
3104	rubber washer for wiper axle	CLP 628 297 00	356 - B T5
3105	end cap for wiper axle	644 628 298 00	356 - B T5
3106	wiper arm crank, complete with driving lever	644 628 025 12	356 B T6/C
3107	hexagon nut for wiper axle, 4 required	644 628 282 12	356 B T6/C
3108	rubber grommet set for wiper shaft, inner and outer, 2 required per car	CLP 628 292 12	356 B T6/C
3109	cup washer for wiper axle	644 628 283 12	356 B T6/C
3110	plastic cap for wiper axle	644 628 281 12	356 B T6/C
3111	spring washer for cap nut	644 628 285 12	356 B T6/C
3112	cap nut for wiper axle, galvanised	644 628 284 12	356 B T6/C
3113	washer jet	644 628 741 00	356 - A T1
3114	washer jet	644 628 741 41	356 A T2 - early B T6
3115	washer jet, without valve	901 628 741 20	356 B T6/C
3115a	valve for washer jet	914 628 215 00	356 B T6/C
3116	washer hose, clear, set for 1 car	644 628 733 05	356 B T6/C
3116a	hose with filter, mounted in plastic washer container	644 628 731 05	356 B T6/C
3116b	washer hose, black, set for 1 car	644 628 733 05	356 A - B T5
3117	T-piece without valve	644 628 745 00	all 356
3117a	T-piece with valve	644 628 746 00	all 356
3118	foot pump for windscreen washer	644 628 073 06	356 A T2 - C
3118a	diaphragm for early foot pump	CLP 628 073 03	356 A T1
3118b	hand pump for windscreen washer		356 pre A



# windscreen washer and hand throttle cable

*Classic parts*

- 3119 wiper motor, 6 Volt, used and tested
- 3119a wiper motor, 12 Volt, reproduction, easily to fit, looks original
- 3119aa armature for 12 Volt „SWF“ wiper motor
- 3120 water bag, blue, with cover
- 3121 plastic container with cover and socket
- 3121a cover for pastic container
- 3122 rubber strap for water container
- 3123 wiper motor, 6 Volt, used and tested
- 3123b wiper motor 12 Volt, reproduction, exchange against 6 Volt version
- 3124a bezel for light- and wiper switch, chrome plated
- 3124aa knob for light switch, ivory
- 3124ab knob for chake, with „S“, ivory
- 3124b knob for light- and wiper switch, black
- 3124c knob for light- and wiper switch, tan
- 3124d knob for hand throttle or cigarette lighter, tan
- 3124e knob for hand throttle, black
- 3124f hand throttle, without knob, specify model
  
- 3124g hand throttle, without knob
- 3124h hand throttle, without knob

644 628 015 00  
CLP 628 016 00

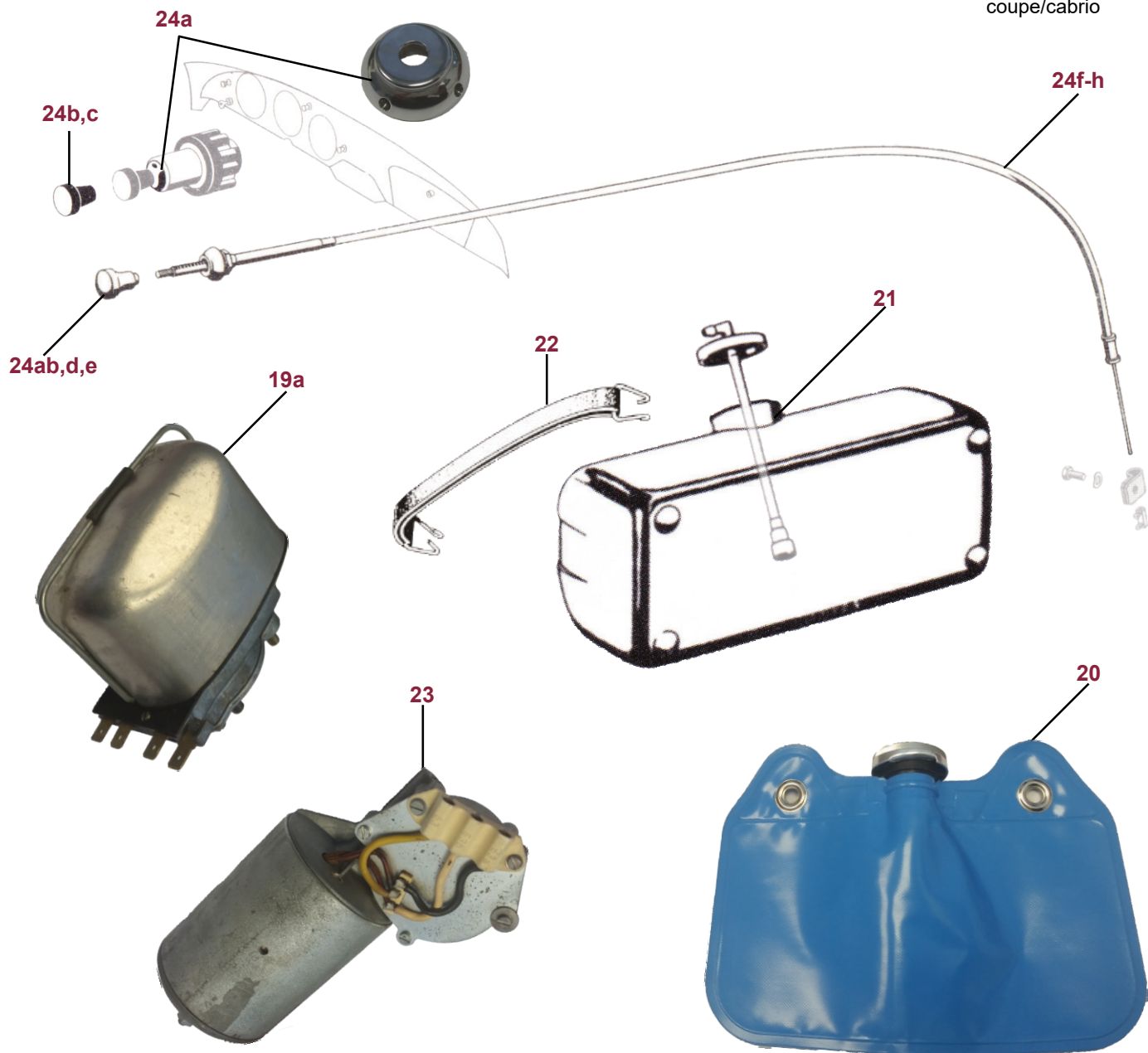
CLP 628 001 00  
644 628 720 00  
644 628 720 06  
644 628 721 06  
644 628 091 00  
644 628 015 12  
CLP 628 016 12  
644 613 505 00

644 552 821 01 700  
644 552 821 01 500  
644 552 820 04 500  
644 552 820 04 700  
644 24 053 ,  
644 24 056  
644 424 031 00

695 424 031 02

356 A T2 - B T5  
356 A T2 - B T5

356 A T2 - B T5  
356 A T1 - B T5, 904  
356 B T6/C  
356 B T6/C  
356 B T6/C  
356 B T6/C  
356 B T6/C  
356 A - C  
356 split window  
356 pre A  
356 B/C  
356 A  
356 A  
356 late A - B  
356 A Speedster  
and 356 B Roadster  
356 B T5  
coupe/cabrio  
356 B T6  
coupe/cabrio





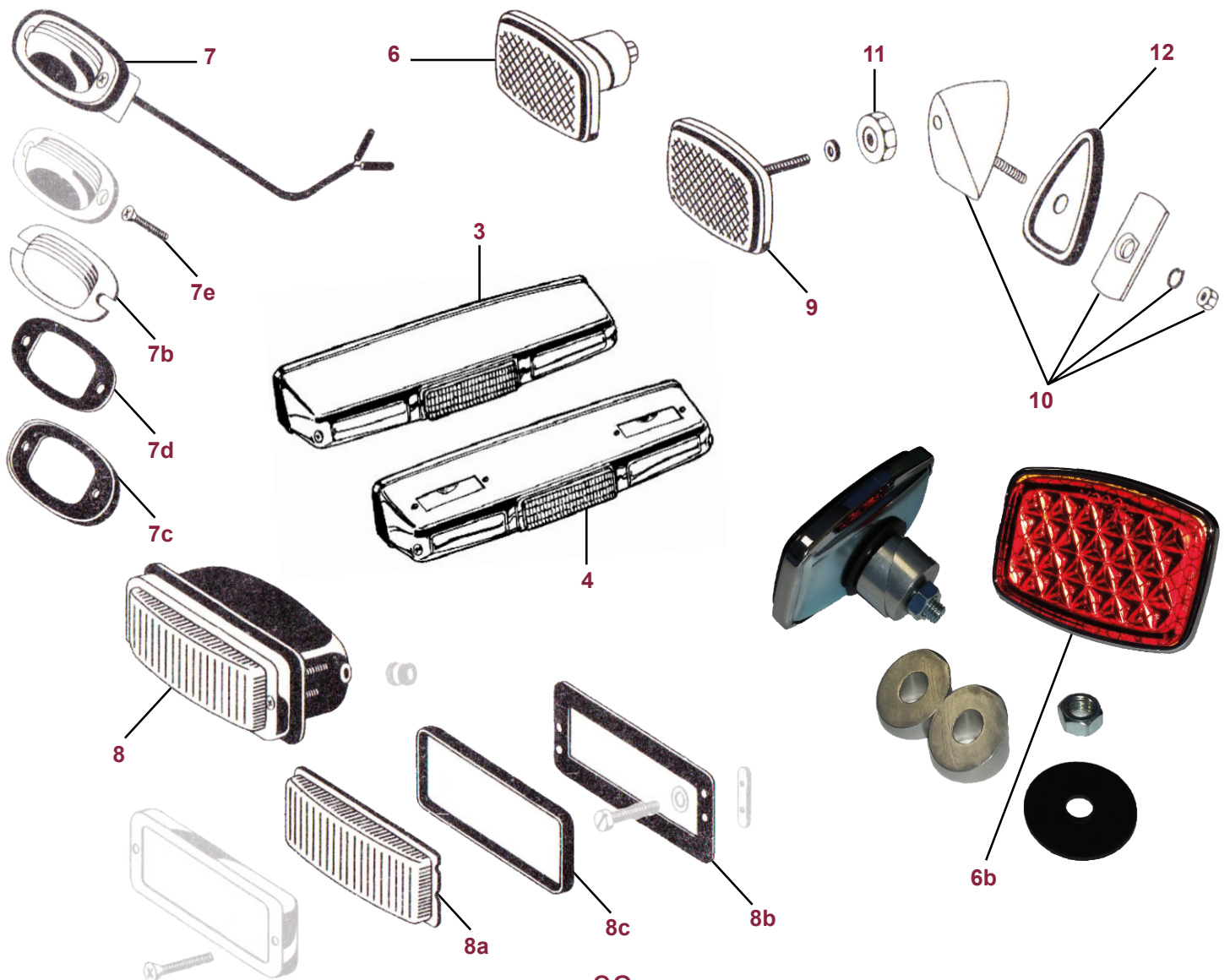
- 3201 „beehive“ taillights, red lens, with rubber base
- 3201a red lens for „beehive“ taillight, low version
- 3201aa „beehive“ taillights, amber lens, with rubber base
- 3201ab amber lens for „beehive“ taillight, low version
- 3201b rubber base for „beehive“ taillight
- 3201c hardware for „beehive „ taillight
- 3201d LED light bulb, single connector, for taillight, 6 Volt
- 3201e LED light bulb, double connector, for taillight, 6 Volt
- 3202a „teardrop“ taillight, left, red lens, US-version
- 3202b „teardrop“ taillight, right, red lens, US-version
- 3202c „teardrop“ taillight, left, amber/red lens, european-version
- 3202d „teardrop“ taillight, right, amber/red lens, european-version
- 3202e lens for „teardrop“ taillight, left, red/red, „SWF“
- 3202f lens for „teardrop“ taillight, right, red/red, „SWF“
- 3202g lens for „teardrop“ taillight, left, amber/red, „SWF“
- 3202h lens for „teardrop“ taillight, right, amber/red, „SWF“
- 3202i rubber base for „teardrop“ taillight
- 3202j hardware for 1 „teardrop“ taillight, 11 pieces
- 3202k terminal boot for „teardrop“ taillight, 2 required per light
- 3202ka terminal boot for „beehive“ taillight, 1 required per light
- 3202l reinforcement frame for „teardrop“ taillight
- 3202m rubber plug
- 3202n rear light, chrome bezel, white or red lens, with reflector and rubber base
- 3202o glass for taillight, red, rectangular version

- CLP 631 008 00
- CLP 631 008 01
- 356 62 223
- CLP 631 008 02
- 644 631 403 00
- 644 631 404 00
- 644 631 403 10
- 644 631 404 10
- 644 631 421 00
- 644 631 422 00
- 644 631 421 10
- 644 631 422 10
- 644 631 491 01
- CLP 631 403 10
- 644 631 419 00
- 356 62 224
- 644 631 451 00
- 999 703 031 40
- 356 - A T1
- 356 - A T1
- 356 - A T1
- 356 A T1
- 356 - A T1
- 356 - A T1
- all 356
- 356 - A T1
- 356 A T2 - C
- 356 A T2 - C
- 356 A T2 - C
- 356 A T2 - C
- 356 A T2 - C
- 356 A T2 - C
- 356 A T2 - C
- 356 A T2 - C
- 356 A T2 - C
- 356 - A T1
- 356 A T2 - C
- 356 - B T6
- 550 RS Spyder
- 356 (1950 - 51)

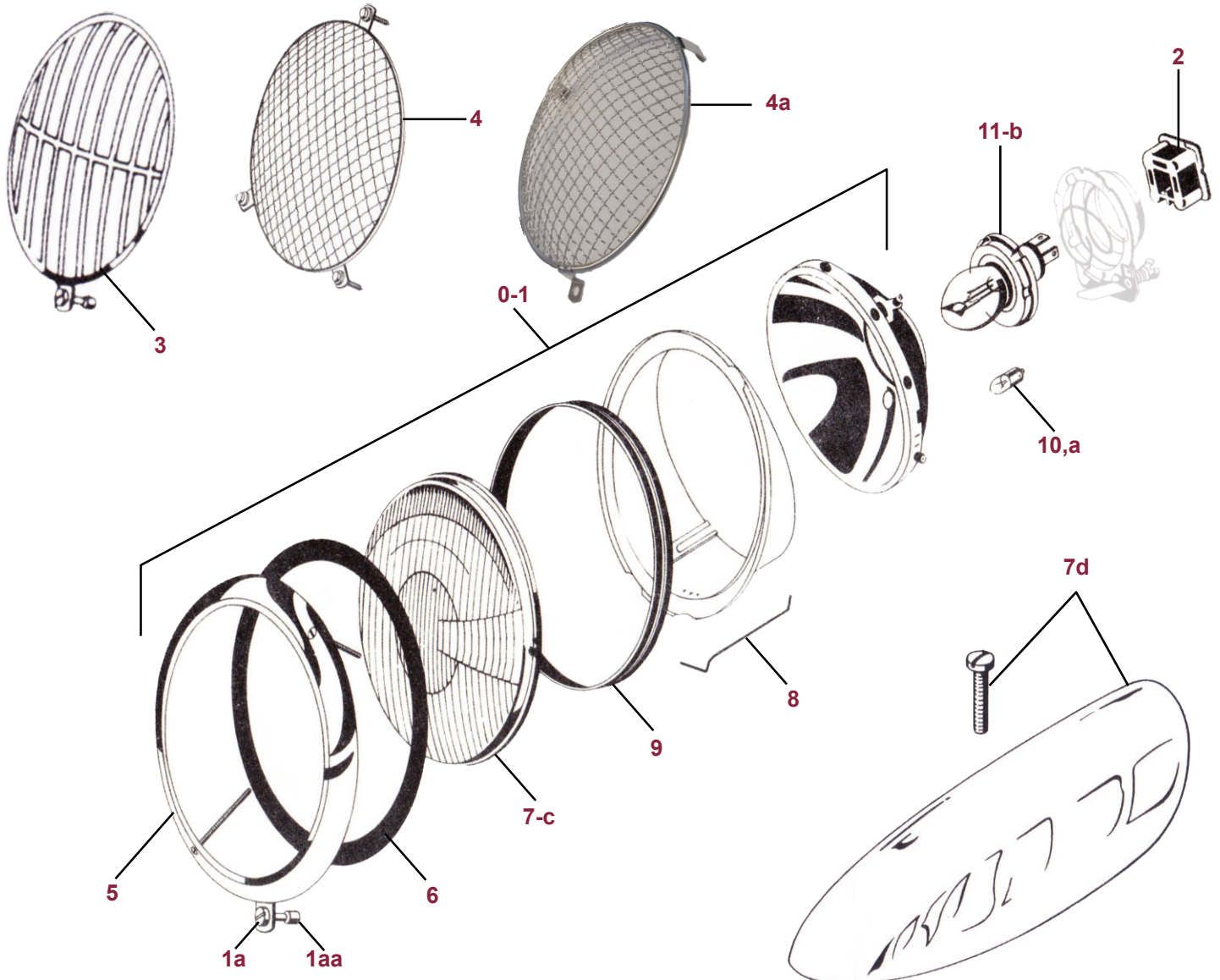


- 3203 license/reverse light, „shine down“, poor quality
- 3204 license/reverse light, „shine up“, perfect reproduction, with sign „Hella 1431“
- 3205 rubber base for license/reverse light, only repros, poor quality
- 3205a bracket set for front license plate, with hardware
- 3205aa bracket set for rearlicense plate, with hardware
- 3205b rubber base for original license/reverse light „shine up“
- 3205bb rubber base for original license/reverse light „shine down“
- 3205c glass for license light, 2 required
- 3205d glass for reverse light
- 3206 reflector, european-version, with aluminium base and rubber washer
- 3206a aluminium base for reflector, 2 required
- 3206b reflector „K 1315“, early version in glass, with aluminium base, 1952 - 59
- 3206c chrome screw plug
- 3207 license light, with rubber base
- 3207b lens for license light
- 3207c rubber base for license light on bumper
- 3207d rubber base for lens in license light
- 3207e screw for license light, stainless steel
- 3208 reverse light, with all rubber bases
- 3208a lens for reverse light, original „Hella“
- 3208b rubber base gasket for reverse light
- 3208c rubber base gasket for lens in reverse light
- 3209 reflector, mounted on chrome consoles, US-version
- 3210 chrome consoles for reflector, US-version, pair for left and right
- 3211 locking nut, chrome plated
- 3212 rubber base gasket for chrome console, US-version

- CLP 631 005 00 356 - A T1
- 644 631 601 00 356 A T2
- 644 007 931 00 356 A T2
- 356 58 140 all 356
- 644 701 051 00 all 356
- CLP 62 511 356 A T2
- 356 62 513 356 - A T2
- 356 62 802 356 - A T2
- 644 731 501 00 356 B/C
- CLP 731 501 11 356 B/C
- 644 731 501 00 356 - A T2
- 644 025 120 00 356 B/C
- 644 631 601 05 356 B/C
- 644 631 611 05 356 B/C
- 644 631 615 05 356 B/C
- 644 631 614 05 356 B/C
- CLP 631 611 05 356 B/C
- 644 631 631 05 356 B/C
- 644 631 641 05 356 B/C
- 644 631 645 05 356 B/C
- 644 631 644 05 356 B/C
- 644 731 501 10 356 B/C
- CLP 731 507 00 356 B/C
- 644 731 515 05 356 B/C
- CLP 731 517 05 356 B/C



3300	headlamp, „Bosch“, complete, without bulb, symmetrical glass	644 631 101 00	356 - A T1
3300a	headlamp, „Bosch“, complete, without bulb, asymmetrical glass		356 A T2 - C
3301	headlamp, „Hella“, complete, without bulb, asymmetrical glass	644 631 101 07	356 - C
3301a	screw for headlight, chrome plated		all 356
3301aa	aluminium spacer for headlamp		all 356
3301b	head light cover set, left and right	904 631 131 00/132 00	904 GTS
3302	cable plug for headlamp, „Bilux“, 6 or 12 Volt	644 631 107 03	all 356
3303	grille for headlights, left and right, only for „sealed beam“ headlights	CLP 62 114	all 356
3304	grille for headlights, chrome plated, with hardware	644 631 911 05	all 356
3304a	grille for headlights, gets clamped, stainless steel	CLP 631 911 05	all 356
3305	chrome rim for headlight	644 631 112 02	all 356
3306	rubber seal, between headlight to fender	644 631 115 00	all 356
3307	glass for headlight, „Hella“, asymmetrical	644 631 111 02	all 356
3307a	glass for headlight, „Bosch“, asymmetrical, „4430“	644 631 111 02	356 A T2 - C
3307aa	glass for headlight, „Bosch“, asymmetrical, „4487“, 12V		356 A T2 - C
3307b	glass for headlight, „sealed beam“	644 631 111 31	all 356
3307c	glass for headlight, „Bosch“, symmetrical	644 631 111 00	356 - A T1
3307d	headlight cover set, Plexiglass, with polyamid screws	904 631 131/132 00	904 GTS
		900 015 020 40	
3308	retaining spring for headlight glass, as required	644 631 122 31	all 356
3309	rubber seal for glass	644 631 114 00	all 356
3310	bulb for parking light, 6 Volt	900 631 003 90	all 356
3310a	bulb for parking light, 12 Volt		all 356
3311	bulb for headlight, 6 Volt, Bilux 40/45 Watt,	900 631 009 90	all 356
3311a	bulb for headlight, 12 Volt, Bilux 40/45 Watt		all 356
3311b	bulb for headlight, 6 V 60/55W H4, only for export		all 356

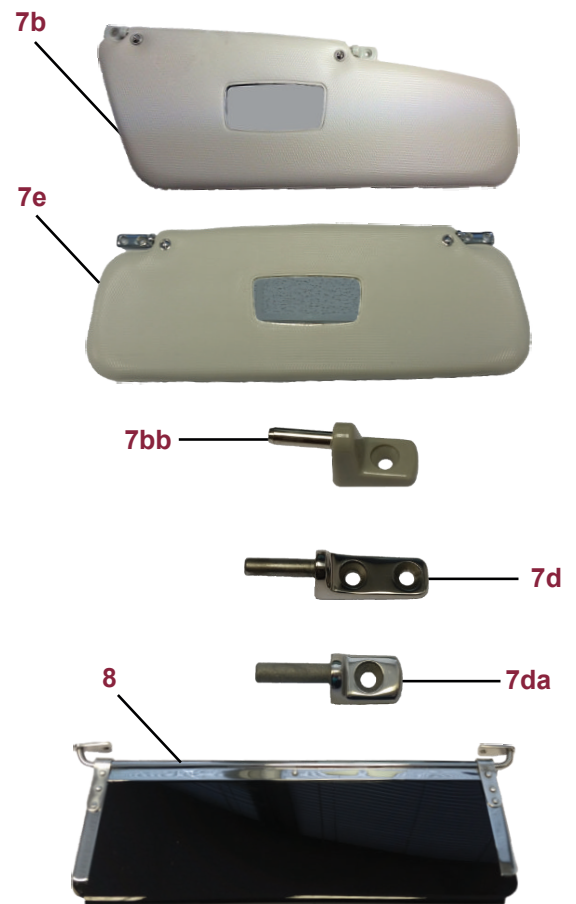
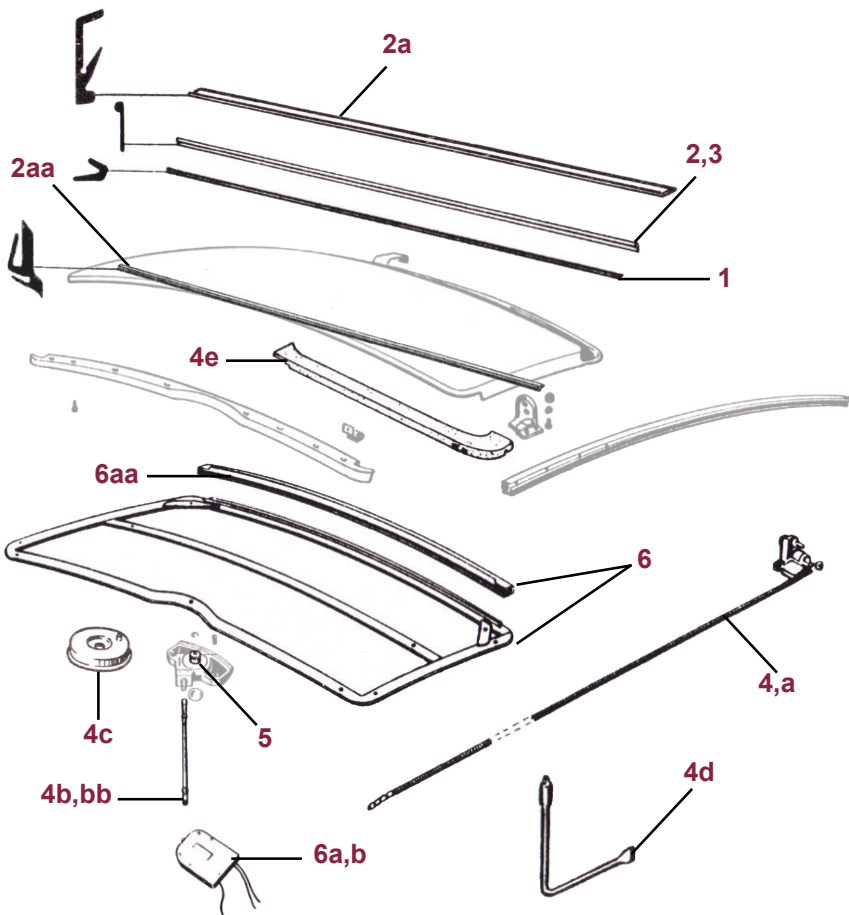




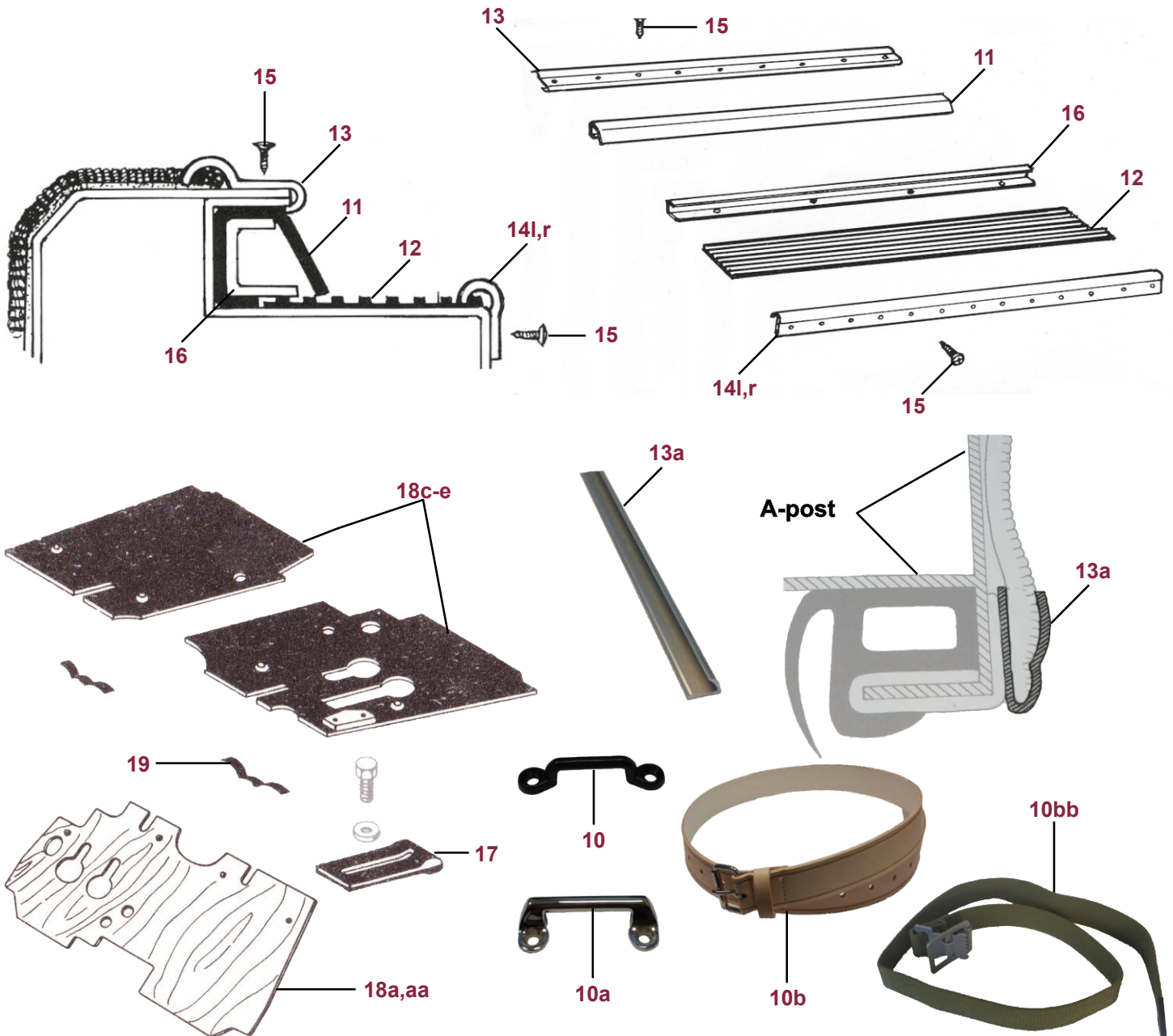
3312	„beehive“ turn signal, white	644 631 009 00	356 - A T2
3312a	glass for „beehive“ turn signal, white, low version	CLP 631 009 01	356 - A T1
3312aa	glass for „beehive“ turn signal, amber, low version		356 - A
3312ab	rubber gasket for „beehive“ turn signal glass	644 631 011 00	356 - A
		356 62 222	
3312ac	glass for turn signal, amber, tall version, US-version		356 A T2
3312ad	glass for turn signal, white, tall version, US-version		356 A T2
3312ae	glass for turn signal, white, low version, US-version	CLP 631 009 01	
3312b	screw set for „beehive“ turn signal		356 - A
3312c	chrome console for turn signal, US-version	CLP 631 007 00	356 A T2
3312d	„beehive“ turn signal, amber		356 - A
3312e	turn signal, with chrome console, white or amber, US-version		356 A T2
3313a	turn signal, left, white glass	644 631 401 05	356 B/C
3313b	turn signal, right, white glass	644 631 401 06	356 B/C
3313c	turn signal, left, amber glass	644 631 401 06	356 B/C
3313d	turn signal, right, amber glass	644 631 402 06	356 B/C
3313e	glass for turn signal, white, OEM „SWF“	644 631 411 01	356 B/C
3313ea	glass for turn signal, white, reproduction	CLP 631 411 01	356 B/C
3313f	glass for turn signal, amber, OEM „SWF“	644 631 411 06	356 B/C
3313fa	glass for turn signal, amber, reproduction	CLP 631 411 06	356 B/C
3313g	rubber seal for glass	644 631 413 01	356 B/C
3313h	rubber gasket for console	644 631 415 06	356 B/C
3313i	profile, between turn signla and fender, plastic	644 631 495 05	356 B/C
3313jl	bulb housing bracket, left		356 B/C
3313jr	bulb housing bracket, right		356 B/C
3314	foglight „Hella 128“, complete with bulb, 6 or 12 Volt, white or yellow glass, specify colour and voltage	644 631 201 03/04	356 B/C, 911/912
3314a	glass for fog light, „Hella 128“, yellow	644 631 211 04	356 B/C, 911/912
3314b	glass for fog light, „Hella 128“, white	644 631 211 03	356 B/C, 911/912
3314c	bulb for fog light, halogene H3, 6 Volt 55W	644 631 201 99	356 B/C, 911/912
3314d	bulb for fog light, halogene H3, 12 Volt 55W		356 B/C, 911/912
3314e	drivinglights, „Marchal“, white/yellow, 6 or 12 Volt		356 B/C
3314f	foglights, „Marchal“, white/yellow, 6 or 12 Volt	CLP 631 224 01	356 B/C
3314g	rubber cap for foglight wire	644 631 201 05	356 B/C
3315	horn set, pair for left and right, 6 Volt	CLP 635 101/111 00	356 A - C
3315a	clamp set for horn, 2 pieces	902 635 115 20	356 Carrera 2
3315b	horn set, pair for left and right, 12 Volt	644 635 102 00	356 A - C
3315c	bracket set for horn, pair for left and right, powder coated	644 635 151/152 00	356 A
3315d	bracket for horn	644 634 151 00	356 B/C
3316	turn signal, with chrome console, amber, european-version	644 631 401 02	356 A T2



3401	rubber seal, rear, for electrical sunroof	644 564 905 50	356 B T6/C
3402	velvet seal, front and sides, 10 mm wide, black, for electrical sunroof	644 564 902 50	356 B T6/C
3402a	rubber seal, rear, gray, for manual sunroof	644 564 905 50	356 A - B T5
3402aa	rubber seal, front, gray, for manual sunroof	644 564 911 00	356 A T2 - B T5
3403	velvet seal, rear, 10 mm wide, black, for electrical sunroof	644 564 191 50	356 B T6/C
3404	operation cable for electrical sunroof, pair for left and right	644 564 633/634 50	356 B T6/C
3404b	flexible shaft, between motor and gearbox, 115 mm length	644 624 121 51	356 B T6/C
3404bb	flexible shaft, between motor and gearbox, 130 mm length	644 624 121 52	356 B T6/C
3404c	finger plate for manual sunroof	644 564 841 00	356 A - B T5
3404d	emergency tool for electrical sunroof	644 564 641 50	356 B T6/C
3404e	rubber pat for electrical sunroof, set for left and right	644 564 911/912 50	356 B T6/C
3405	drive pinion for electrical sunroof, z = 15	644 564 611 50	356 B T6/C
3406	frame for electrical sunroof, with top frame reinforcement	644 564 083/823 50	356 B T6/C
3406a	motor for sunroof, 6 Volt	644 624 015 50	356 B T6/C
3406aa	reinforcement for sunroof frame	644 564 823 50	356 B T6/C
3406b	motor for sunroof, 12 Volt	644 624 016 50	356 B T6/C
3407a	sunvisor, left, with bracket	644 731 301 06	356 B T6/C coupe
3407b	sunvisor, right, with make up mirror, with bracket	644 731 302 06	356 B T6/C coupe
3407bb	pivot for sunvisor, tan	CLP 731 331 02	356 B T6/C coupe
3407c	screw set for sunvisor, set for 1 car	CLP 731 005 00	356 A - C
3407d	pivot for sunvisor, 2 holes, stainless steel	CLP 731 331 00	356 A - B T5
3407da	pivot for sunvisor, 1 hole, stainless steel	CLP 731 331 41	coupe/cabrio
3407e	sunvisor set, pair for left and right, with make up mirror right	644 731 301 00/01	356 A Convertible D and B Roadster
3407f	sunvisor set, pair for left and right, with make up mirror right		356 A T2 - C coupe/cabrio
3407g	sunvisor, left		356 A Convertible D and B Roadster
3408	sunvisors, pair for left and right, plexiglas, 1953 - 1955		356 pre A
3408a	insert for sunvisor, plexiglas	CLP 70 002	356 - A T1
3409	sunvisors, pair for left and right, plexiglas, 1956 - 1957	356 70 031	356 A T1

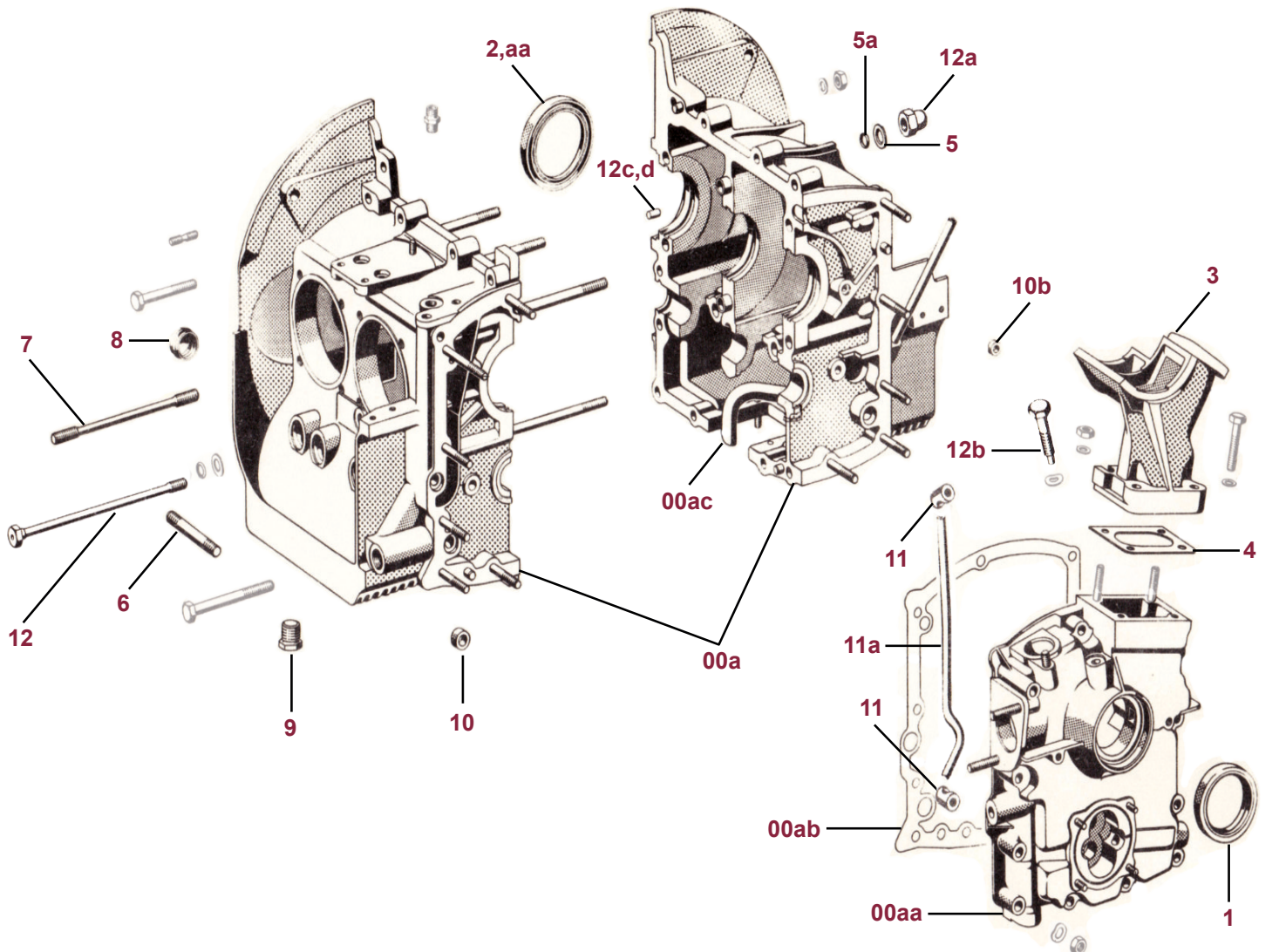


3410	clamp for tire strap, black	644 025 171 00	all 356
3410a	clamp for interior, chrome plated, with hardware	644 025 172 00	all 356
3410aa	screw for clamp, stainless steel	900 019 006 02	all 356
3410b	strap for spare tire, leather	644 504 971 00	all 356
3410bb	strap for spare tire		only Speedster
3411	rubber seal on door step, left or right	644 551 915 00	all 356
3412	rubber seal on step plate, left or right	644 551 115 00	all 356 except GT
3412a	vinyl for rocker, left or right		only GT version
3413	wide aluminium strip, against carpet, left or right	644 551 117 00	all 356
3413a	aluminium fold stripping trim, a- b-post, set of 4	644 551 181/182 00	356 - AT1
3414l	narrow strip against door, aluminium, left	644 551 119 00	all 356
3414r	narrow strip against door, aluminium, right	644 551 120 00	all 356
3415	screw set for aluminium strips, set for 1 car	CLP 551 001 00	356 A T2 - C
3416	u-shaped strip, inside seal, left or right	644 551 917 00	all 356
3417	clutch pedal stop	644 551 640 00	all 356
3418a	pedal board, one pice	356 53 105	356 pre A
3418aa	pedal board, one pice	644 551 605 00	356 A till march 1957
3418b	pedal board set, pair for left and right	356 53 107	356 pre A
3418c	pedal board set, pair for left and right	644 551 601 00	356 A from march 1957
3418d	pedal board set, pair for left and right	644 551 063 05	356 B T5
3418e	pedal board set, pair for left and right	644 551 063 06	356 B T6/C
3419	spring for pedal board, 2 required	644 551 631 00	356 A T2 - C





3500a	crank case, reinforced late version, with cover, NOS	616 101 904 10	356 C/SC, 912
3500aa	cover vor crank case, late version, NOS	616 101 911 00	356 C/SC, 912
3500ab	gasket for crank case cover, late version	616 101 391 00	356 C/SC, 912
3500ac	oil suction pipe, late version	616 101 377 00	356 C/SC, 912
3501	oil seal, pulley side, for all 356 pushrod engines	999 113 012 50	all 356
3502	oil seal, flywheel side, for all 356 pushrod engines	999 113 029 50	all 356
3502aa	oil seal, flywheel side, for all 356 pushrod engines, reinforced	999 113 029 50	all 356
3503	generator stand, used, specify model		all 356
3504	gasket for generator stand	539 01 125	all 356
3505	washer for tiebolt for crankcase, 7 required	616 101 191 00	all 356
3505a	o-ring for tiebolt, 7 required	999 701 006 40	all 356
3506	stud bolt for crankcase fastening aut transmission	539 01 114	all 356
3507	stud bolt for cylinderhead fastening, 16 required	539 01 118	all 356
3508	cover for camshaft	539 01 132	all 356
3509	oil drain screw, zinc plated	539 01 133	all 356
3510	rubber gasket for oil galery, 2 required	616 01 123	all 356
3510a	rubber gasket for oil galery	616 01 122	all 356
3510b	rubber gasket for oil galery	539 01 122	all 356
3511	rubber gasket for oil tube, 2 required	616 01 115	all 356
3511a	oil tube	616 01 114	all 356
3512	tiebolt for crankcase	616 101 171 00	356 A - C
3512a	cap nut, 6 required	999 070 004 02	356 A - C
3512b	screw for main bearing IV	539 01 115	356 A - C
3512c	dowel pin for bearing I, 4 required	539 01 110	356 A - B
3512d	dowel pin for bearing I, 1 required	616 101 172 00	356 C

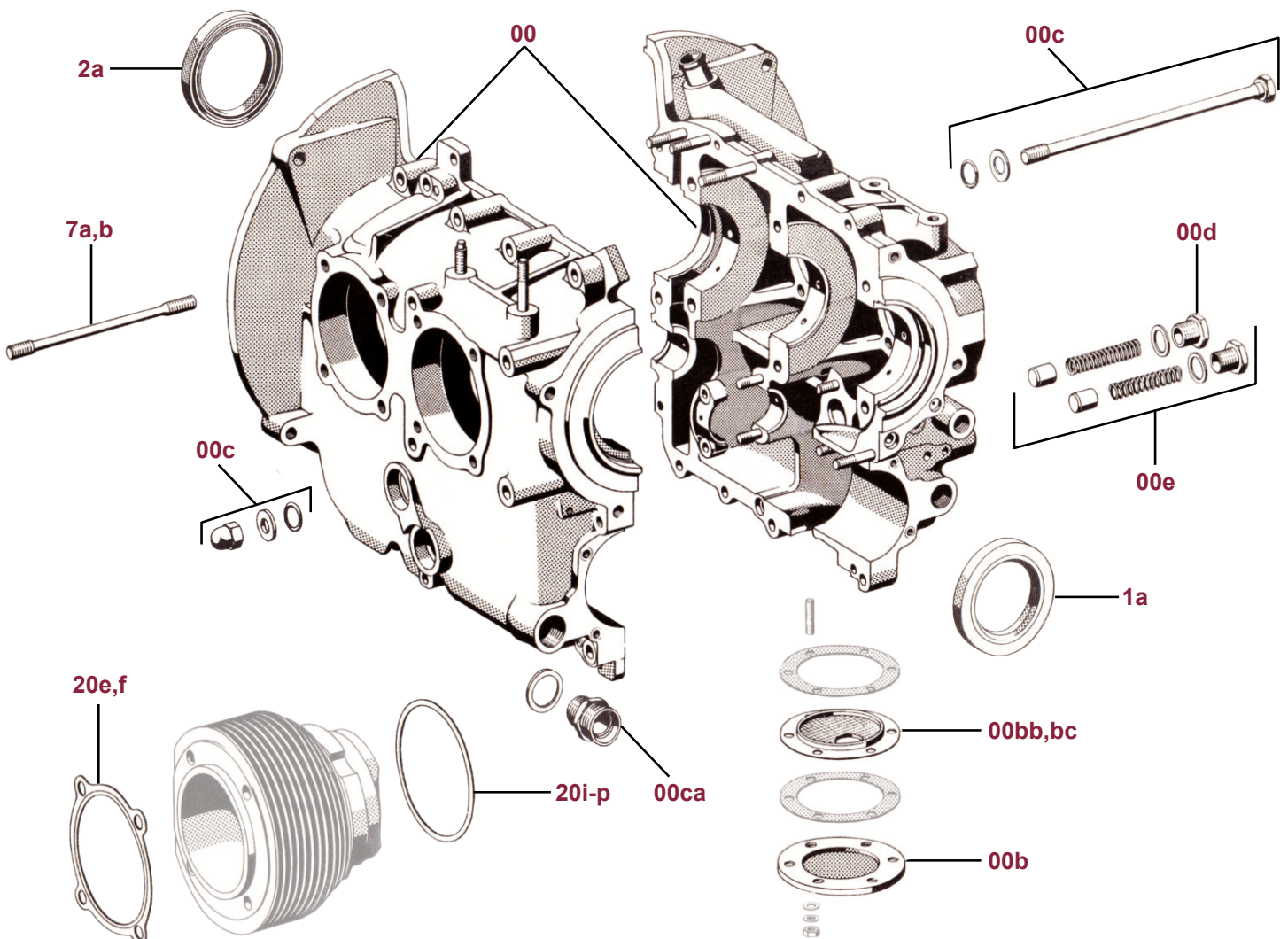


# engine case

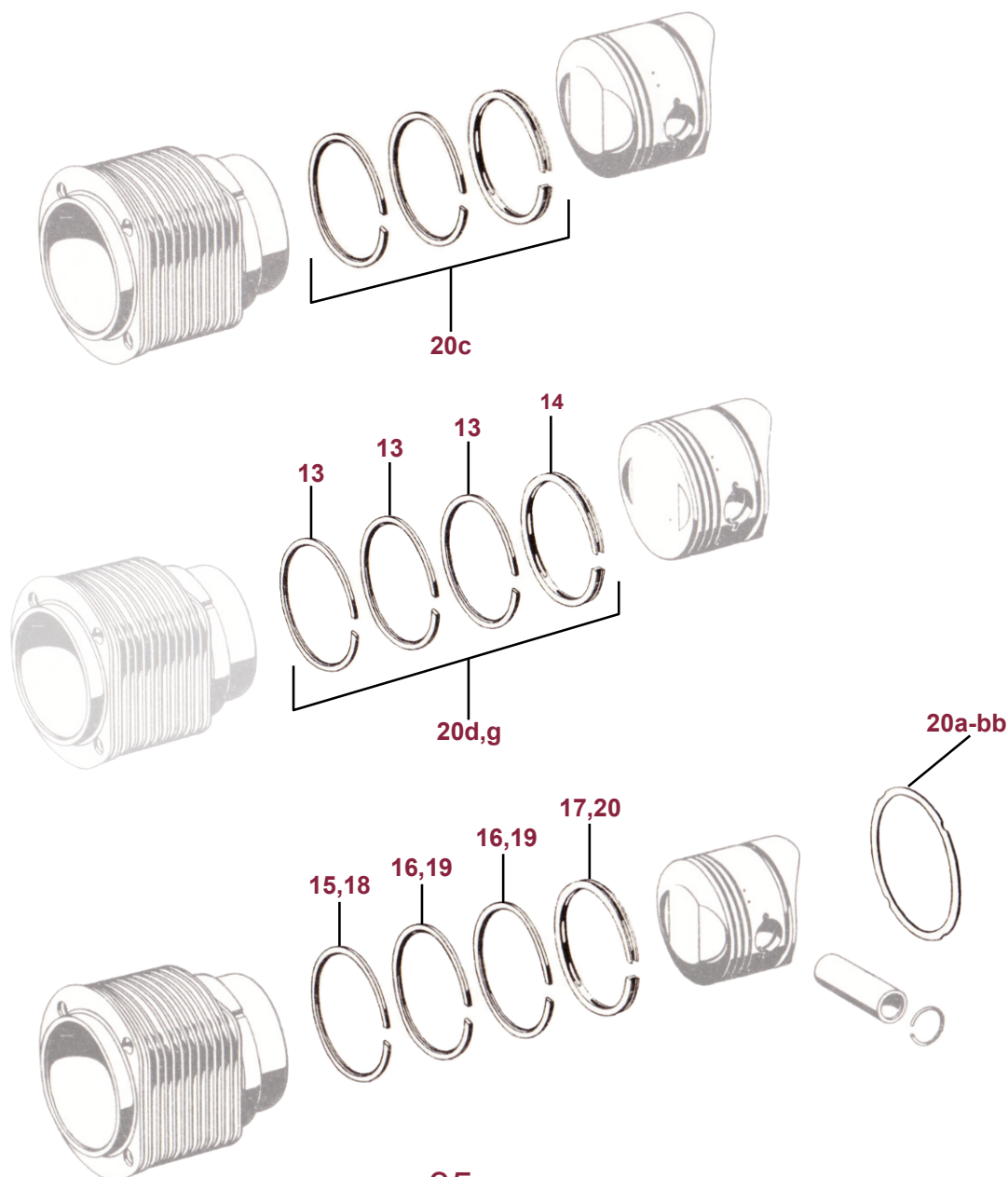
## Carrera

*Classic parts*

3500	engine case for plain bearing, reinforced version, type 692 and 587 for 904 it is necessary to do some changes, made in Germany	587 101 999 00	Carrera, 904
3500b	cover for oilstrainer, type 692 and 587	539 01 129	Carrera
3500bb	oilstrainer, type 587/3	587 101 380 00	904
3500bc	oilstrainer, type 692 (plain bearing) and 587/1 and 2	692 101 180 00	Carrera
3500c	thru bolt screw set for engine case, type 587/3	587 101 172/173 00	904
3500ca	screw socket for carrera engine case	900 136 013 02	Carrera
3500d	screw plug for oil pressure relief valve	547 07 114	Carrera, 904
3500e	piston set for oil pressure relief valve, with pistons, springs, and screw plugs, 6 pieces	1x 999 521 017 00, 2x 547 07 115, 1x 999 521 018 00, 2x 547 07 114	Carrera, 904
3500g	intermediate ring between engine and gearbox		Carrera
3501a	oil seal, pulley side for all 4-cam engines, and also for flywheel side for roller bearing engines	547 02 123	Carrera
3502a	oil seal, flywheel side, for all plain bearing engines	999 113 022 50	Carrera
3507a	stud bolt for cylinderhead, type 547 and 692, 16 required	547 01 128	Carrera
3507b	stud bolt for cylinderhead, type 587, 16 required	999 161 051 01	Carrera
3520e	cylinderhead gasket, type 587	587 104 191 00	Carrera 2
3520f	cylinderhead gasket, type 692	692 104 191 00	Carrera 1600
3520h	cylinderhead gasket, type 547	547 04 222	Carrera 1500
3520i	cylinder base gasket, aluminium, 0,3 mm, type 547	547 04 230	Carrera 1500
3520j	cylinder base gasket, aluminium, 0,5 mm, type 547	547 04 230 1	Carrera 1500
3520k	cylinder base gasket, aluminium, 0,8 mm, type 547		Carrera 1500
3520l	cylinder base gasket, aluminium, 1,0 mm, type 547	547 04 230 2	Carrera 1500
3520m	cylinder base gasket, aluminium, 0,3 mm, type 692 and 587	692 104 192 03	Carrera 1600/2000
3520n	cylinder base gasket, aluminium, 0,5 mm, type 692 and 587	692 104 192 01	Carrera 1600/2000
3520o	cylinder base gasket, aluminium, 0,8 mm, type 692 and 587	692 104 192 04	Carrera 1600/2000
3520p	cylinder base gasket, aluminium, 1,0 mm, type 692 and 587	692 104 192 02	Carrera 1600/2000

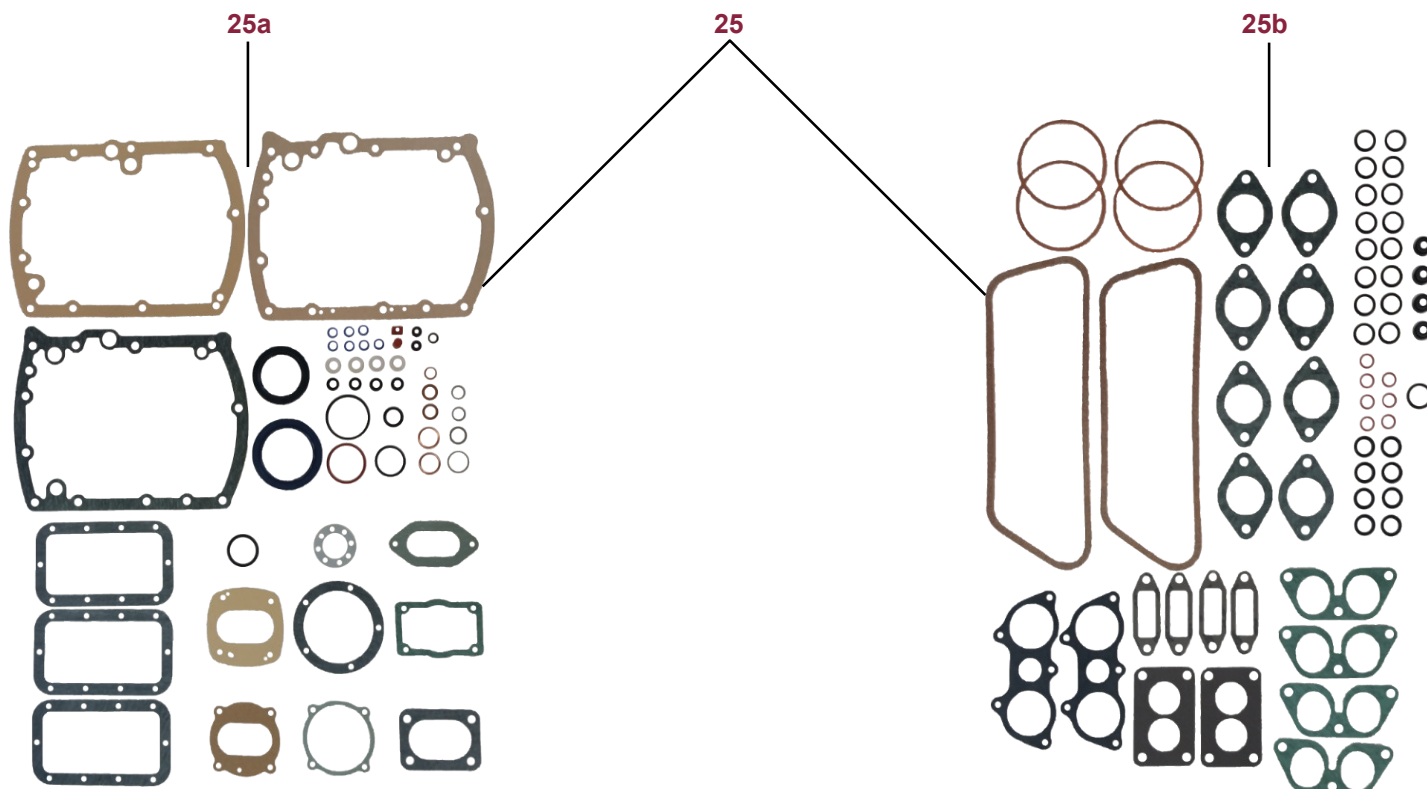
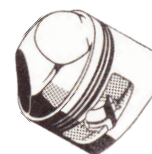


3513	compression ring for cast iron cylinder, 60/75 hp, (2mm) standard 82,5 mm	616 103 311 01	60/75 hp
3514	oil control ring for cast iron cylinder, (5mm) standard 82,5 mm	616 103 314 00	60/75 hp
3515	compression ring, groove 1	616 103 312 02	Super 90
3516	compression ring, groove 2 and 3	616 103 311 00	Super 90
3517	oil control ring, groove 4	616 103 315 00	Super 90
3518	compression ring, groove 1	616 103 312 02	356 SC, no 912
3519	compression ring, groove 2 and 3	616 103 311 00	356 SC, no 912
3520	oil control ring, groove 4	616 103 315 00	356 SC, no 912
3520a	cylinder base gasket, cooper, 0,25 mm	539 04 209	356 A - C
3520b	cylinder base gasket, cooper, 1 mm	616 104 192 02	356 A - C
3520bb	cylinder base gasket, copper, 0,30 mm	616 104 191 00	356 pre A 1500
3520c	for all 4 pistons, 16-pieces 82,5 mm, ersion 912, (1,5/2/4 mm) for one piston, 4-pieces	616 103 907 05	356 SC (late version) and 912
3520d	compression ring for cast iron cylinder, 86 mm, (2/2/2/5 mm) for all 4 pistons, 16-pieces		all 356
3520g	compression ring for cast iron cylinder, 83 mm, (2/2/2/5 mm) for all 4 pistons, 16-pieces		all 356
3520q	compression ring, 83 mm version 912, (1,5/2/4 mm) for all 4 pistons, 16-pieces		356 SC (late version) and 912
3520y	cylinder base gasket, copper, 1 mm	539 04 209	356 pre A 1500

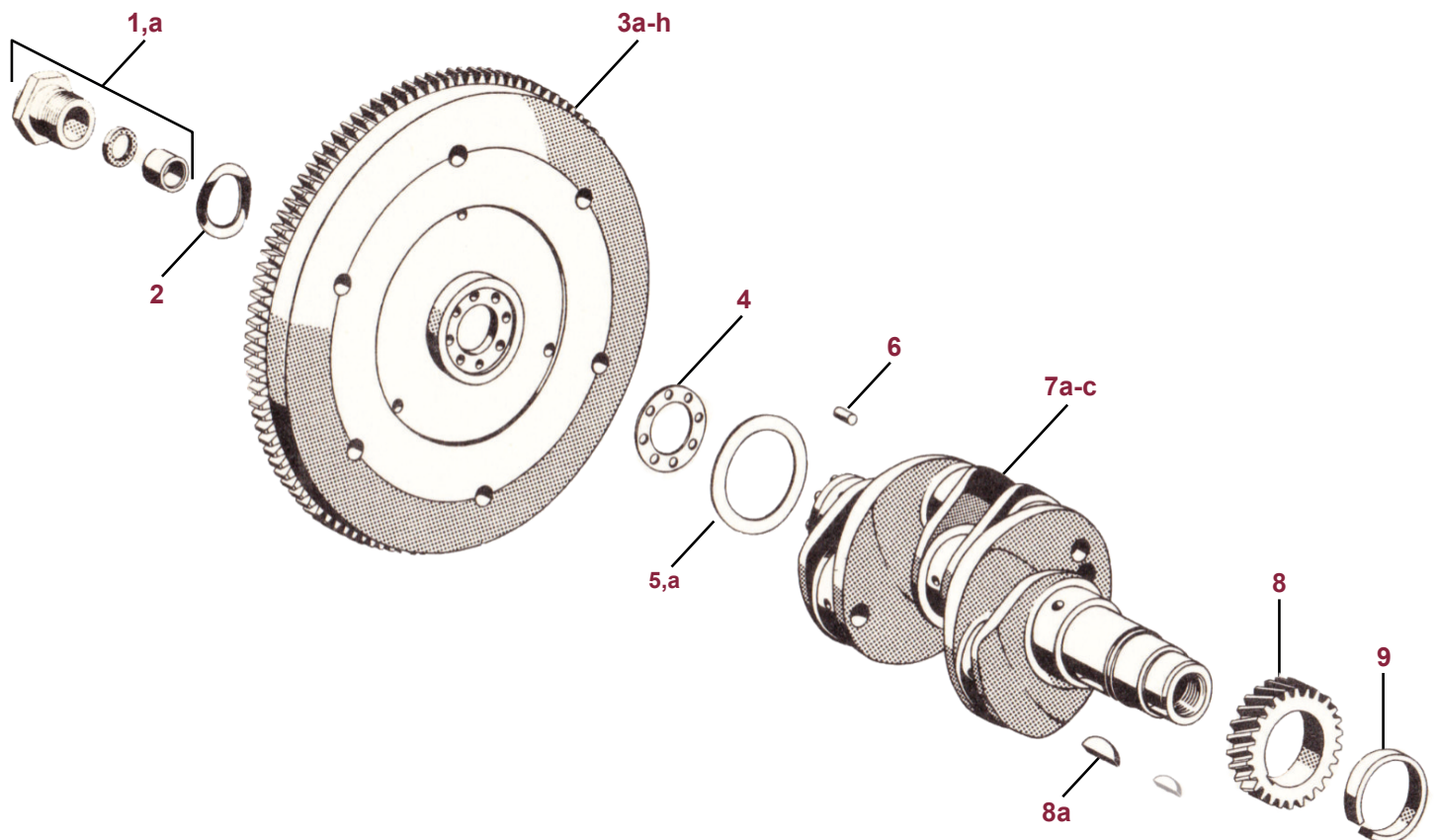




3521	piston and cylinder set for all 60/75 hp engines, for engines 356 A or B, have to use 1 mm cylinder base gasket, OEM „Mahle“	616 103 906 01	356 A - B
3521a	piston and cylinder set, OEM „Mahle“	616 103 906 01	356 C
3521b	piston and cylinder set, OEM „Mahle“	616 103 904 03	356 SC, 912
3521c	piston and cylinder set, type 587/1, OEM „Mahle“	587 104 103 00	Carrera 2
3521e	piston and cylinder set, type 587/3, forged version, OEM „Mahle“	587 103 904 00	904 GTS
3521ea	cylinder, type 587/3		904 GTS
3521f	piston and cylinder set, type 547/1, NOS „Mahle“		
3521g	piston set, 86 mm, silicon forged aluminium		356 B/C, 912
3521ga	cast iron cylinder, used, drilled and line bored to 86 mm		356 B/C, 912
3521gc	piston set, 86,5 mm, silicon forged aluminium		356 B/C, 912
3521gd	piston set, 83,5 mm, silicon forged aluminium		all 356
3521ge	cast iron cylinder, used, drilled and line bored to 86,5 mm		
3521k	piston and cylinder set, type 547/6, forged version, 92 mm, stroke 66mm	719 103 031 02	Carrera
3525	engine gasket set, for all 356 pushrod engines, without carburator and fuel pump gaskets	616 100 184 03 und 616 101 901 01	all 356
3525a	engine case gasket set, for all 356 pushrod engines	616 101 901 01	all 356
3525b	cylinder head gasket set, for all 356 pushrod engines	616 100 184 03	all 356
3525e	engine gasket set, complete for type 547/692 roller bearing	547 00 902	Carrera 1500
3525f	engine gasket set, complete for type 692 plain bearing	692 100 111 00	Carrera 1600
3525g	engine gasket set, complete for type 587	587 101 901 00	Carrera 2 GS, GT and 904

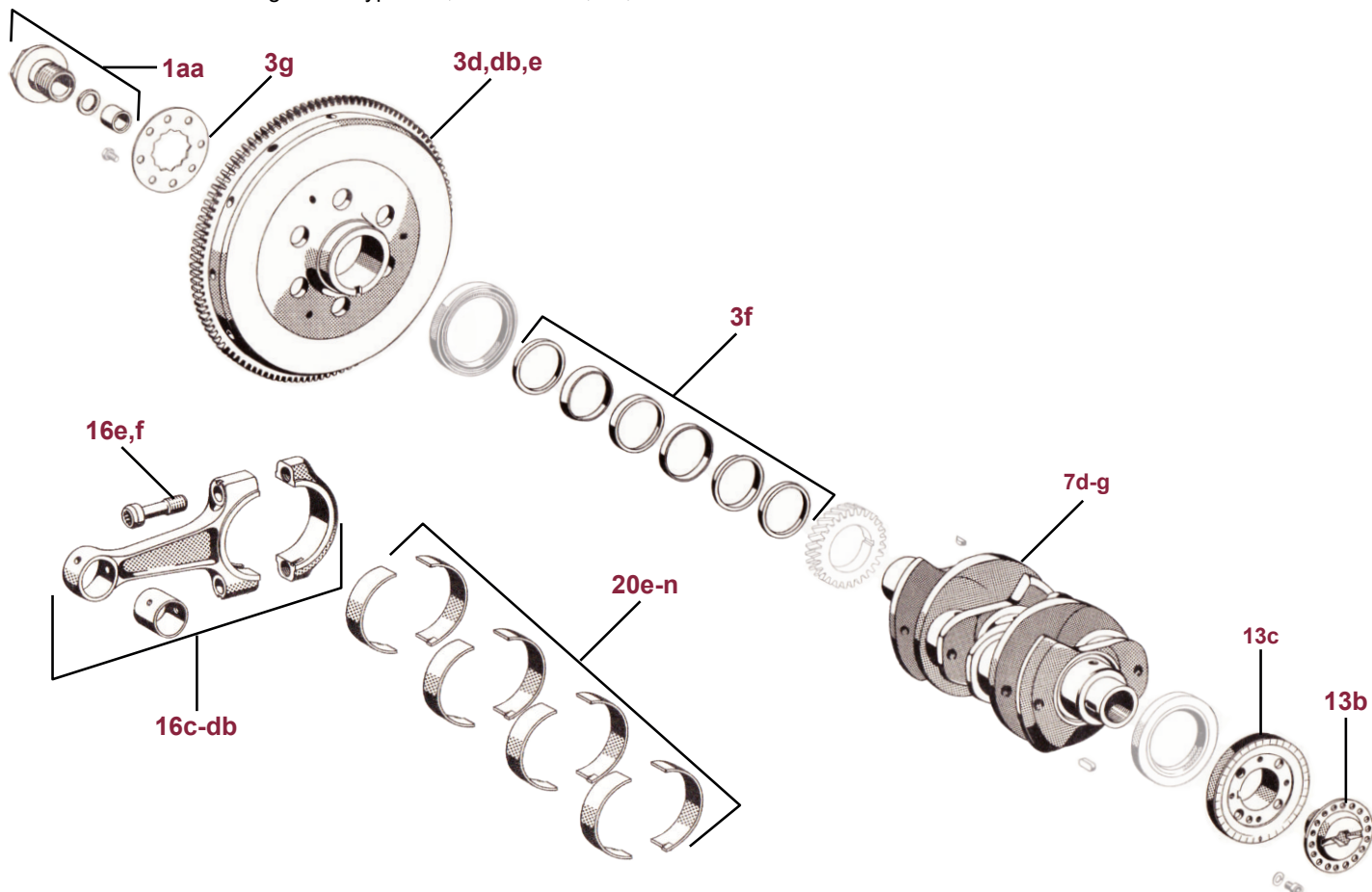


3701	hollow screw for flywheel	616 102 025 01	all 356 till 75 PS
3701a	hollow screw, complete, special version, tensile strength till 750 Nm	CLP 102 025 01	all 356 from 90 PS
3702	lock washer, for hollow bolt, should always be replaced!	539 02 103	all 356
3703a	flywheel, 180 mm, insertion depth 25mm, 109 teeth	502 102 116 00	356 - B
3703b	flywheel, 200 mm, insertion depth 25mm, 109 teeth	616 102 201 02	only Super 90
3703c	flywheel, 200 mm, insertion depth 25mm, 109 teeth	616 102 201 03	356 B/C
3703ca	flywheel, 200 mm, lighter version, 5,1 kg, insertion depth 25mm, 109 teeth	CLP 102 201 03	356 B/C
3703cb	flywheel, 200 mm, with pressure plate and clutch plate, insertion depth 21 mm, 109 teeth, order release bearing seperatly		356 A
3703h	Schwungscheibe, 200 or 215 mm, insertion depth 25 mm	616 102 204 01	912
3704	metal flywheel gasket, has to be always replaced	502 02 301	all 356
3705	flywheel spacer, 0,8 mm - 1,10 mm, specify thickness	369 02 107 X	all 356
3705a	flywheel spacer, 2,80 mm - 3,10 mm, specify thickness	616 102 161 XX	only Super 90
3706	dowel pin for flywheel, 8 required	900 109 004 00	all 356
3707a	crankshaft, 60/75 PS, OEM	616 102 013 00	356 A - B
3707b	crankshaft, OEM	616 102 013 03	356 C
3707c	crankshaft, forged version, OEM	616 102 015 01	356 SC, 912
3708	crankshaft timing gear, OEM	539 02 105	all 356
3708a	woodruff key for timing gear	901 102 147 00	all 356
3709	spacer	539 102 106 00	all 356



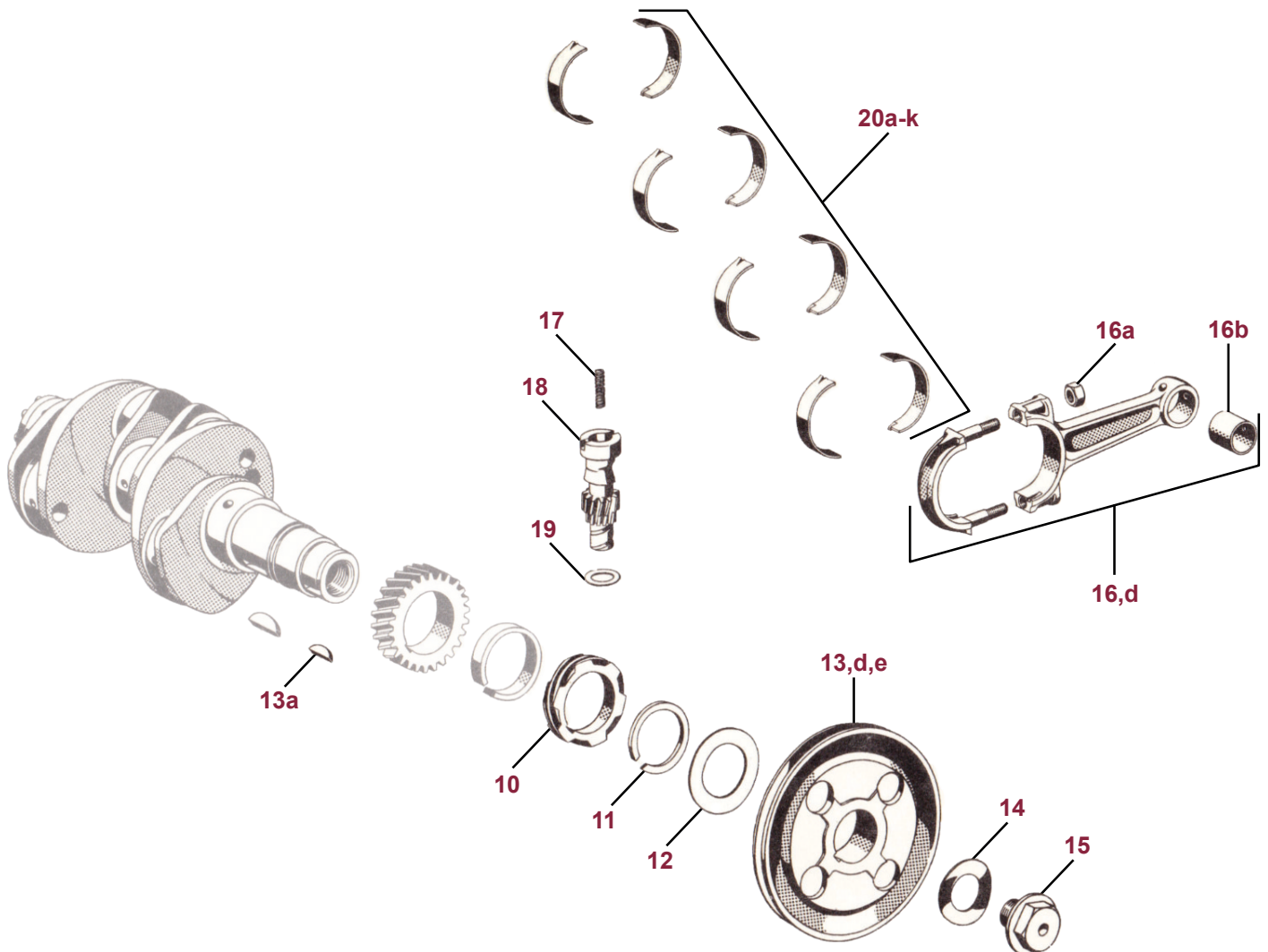
## Carrera

3701aa	hollow screw for flywheel, with bushings, for all plain bearing engines	692 102 211 04	Carrera
3703d	flywheel for type 692 with plain bearing and type 587/1 a. 2, insertion depth 25 mm, for guided release bearing, it allows a regular 356 clutch and needs no spacer ring between engine and transmission, please balance it with the pressure plate	CLP 102 201 04	Carrera
3703da	pressure plate and clutch disc for 3703d/e	CLP 116 012 00	Carrera
3703db	flywheel for type 692 plain bearing, insertion depth 23 mm, for unguided release bearing, needs no spacer between engine and transmission, with pressure plate and clutch disc, please balance it with the pressure plate	CLP 102 201 05	Carrera
3703e	flywheel for type 587/3, only with use of 3703da	587 102 202 00	904
3703f	clamping element set for crankshaft with plain bearing, 6 pieces	999 041 403 00 999 041 405 00	Carrera
3703g	locking washer for hollow screw on flywheel, type 692 plain bearing and 587	692 102 181 01	Carrera
3707d	crankshaft for type 587, NOS	587 102 013 00	Carrera 2 GS, GT and 904
3707da	crankshaft for type 587, lighter and better version	CLP 102 013 00	Carrera 2 GS, GT and 904
3707g	crankshaft for type 692/3A	692 102 011 01	Carrera 1600
3713b	screw for pulley, type 692 and 587	692 102 171 00	Carrera
3713c	pulley, specify engine type	547 02 105	Carrera
3713f	screw for pulley, roller bearing engine, 60° V-drive	547 02 127	Carrera
3716c	„Carrillo“ rod set, type 587	CLP 103 011 01	Carrera 2, 904
3716da	„Carrillo“ rod set, type 692, plain bearing version, for 24 mm wrist pin	CLP 103 011 04	Carrera 1600
3716db	„Carrillo“ rod set, type 692, plain bearing version, for 25 mm wrist pin	CLP 103 011 05	Carrera 1600
3716e	connecting rod screw for type 692 and 587/1 a. 2	587 103 105 00	Carrera 2
3716f	connecting rod screw for type 587/3	587 103 105 01	904
3720e	rod bearing set for type 587, standard	587 103 104 01	Carrera 2, 904
3720h	rod bearing set for type 587, 1. undersize, - 0,25	587 103 104 51	Carrera 2, 904
3720i	rod bearing set for type 692, standard	692 103 105 00	Carrera 1600
3720l	rod bearing set for type 587, 2. undersize, - 0,50	587 103 104 61	Carrera 2, 904
3720m	rod bearing set for type 692, 1. undersize, - 0,25	692 103 105 50	Carrera 1600
3720n	rod bearing set for type 692, 2. undersize, - 0,50	692 103 105 55	Carrera 1600

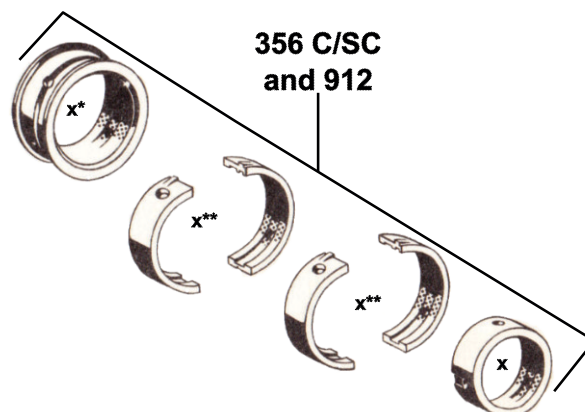
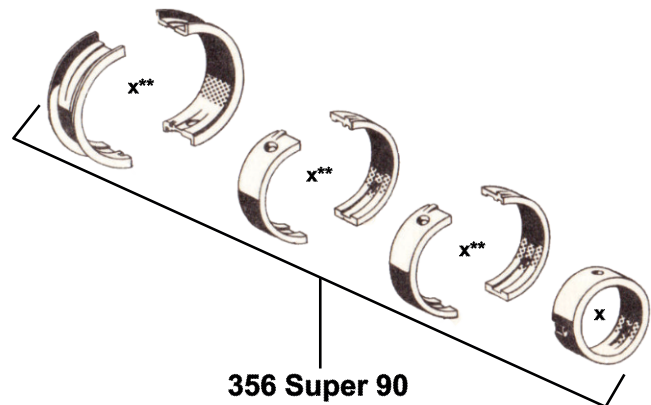
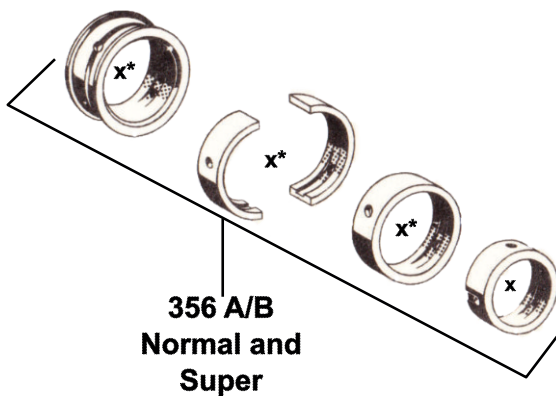




3710	brass gear	546 102 110 00	all 356
3711	lock ring	901 102 148 00	all 356
3712	sealing washer for pulley	616 102 163 01	all 356
3713	pulley, 4-hole version	539 02 113	356 A - C
3713a	woodruff key for pulley	N 012 70 91	356 A - C
3713d	pulley, small diameter, for racing		356 A - C
3713e	pulley	356 02 102 1	356 pre A
3714	washer for pulley screw	539 02 111	356 A - C
3715	screw for pulley, zinc plated	539 02 112	356 A - C
3716	connecting rod, version 01, original	616 103 012 02	356 B/C
3716a	connecting rod nut, 8 required, has to be replaced	539 03 114	all 356
3716b	pin bushing for rod	901 103 131 01	all 356
3716d	„Carrillo“ connecting rod set, for type 616, tightening torque 28,5 Nm	CLP 103 012 02	356 A - C
3716h	bolt for „Carrillo“ connecting rod, type 616	CLP 105 012 03	356 A - C
3717	spring for pinion	539 09 103	all 356
3718	pinion for distributor	539 01 101	all 356
3719	shim	539 09 102	all 356
3720a	rod bearing set, standard 53,000 - 52,987	616 103 142 02	356 A T2 - C
3720b	rod bearing set, 1. undersize, -0,25 mm, 52,750 - 52,737	616 103 142 52	356 A T2 - C
3720c	rod bearing set, 2. undersize, -0,50 mm, 52,500 - 52,487	616 103 142 62	356 A T2 - C
3720d	rod bearing set, 3. undersize, -0,75 mm, 52,250 - 52,237	616 103 142 72	356 A T2 - C
3720da	rod bearing set, 4. undersize - 1,00 mm, 52,000 - 52,012	616 103 142 82	356 A T2 - C
3720f	rod bearing set, standard, left hand tab	616 103 142 00	356 pre A
3720g	rod bearing set, -0,25 mm, left hand tab	616 103 142 52	356 pre A
3720j	rod bearing set, -0,50 mm, left hand tab	616 103 142 62	356 pre A
3720k	rod bearing set, -0,75 mm, left hand tab	616 103 142 72	356 pre A



3721	dowel pin for crankshaft bearing I, 4 required	539 01 110	356 A - B
3721aa	dowel pin for crankshaft bearing I, 1 required	616 101 172 00	356 C
3721b	main bearing set, standard 1600/1600S	546 101 901 00	356 A - B, 60/75 PS
3721c	main bearing set, standard	616 100 130 00	only Super 90
3721d	main bearing set, standard	616 100 138 00	356 C/SC, 912
3721n	main bearing I for type 616, standard	546 101 101 00	356 A - B, 60/75 PS
3721o	main bearing I for type 616, - 0,25	546 101 101 50	356 A - B, 60/75 PS
3721p	main bearing I for type 616, - 0,50	546 101 101 55	356 A - B, 60/75 PS
3721q	main bearing IV for type 616, standard	539 101 146 00	356 A - C, 912
3721qa	screw for main bearing IV	539 01 115	356 A - B, 60/75 PS
3721r	main bearing shell I for type 616, 2 required, standard	616 101 131 00	only Super 90
3721s	main bearing shell I for type 616, 2 required, - 0,25	616 101 131 50	only Super 90
3721t	main bearing shell I for type 616, 2 required, - 0,50	616 101 131 55	only Super 90
3721u	main bearing shell I for type 616, 2 required, - 0,75	616 101 131 65	only Super 90
3721v	main bearing II bzw III, standard	616 101 132 00	356 C/SC, 912
3721w	main bearing IV for type 616, - 0,50	539 101 146 55	356 A - C, 912
3722a	main bearing set, - 0,25	546 101 101 50	356 A - B, 60/75 PS
3722b	main bearing set, - 0,50	546 101 901 55	356 A - B, 60/75 PS
3722c	main bearing set, - 0,75	546 101 901 65	356 A - B, 60/75 PS
3722d	main bearing set, + 0,25	546 101 901 60	356 A - B, 60/75 PS
3722e	main bearing set, + 0,25 - 0,25	546 101 901 70	356 A - B, 60/75 PS
3722f	main bearing set, + 0,25 - 0,50	546 101 901 75	356 A - B, 60/75 PS
3722g	main bearing set, + 0,25 - 0,75	546 101 901 85	356 A - B, 60/75 PS
3722h	main bearing set, - 0,25	616 100 130 50	only Super 90
3722i	main bearing set, - 0,50	616 101 130 55	only Super 90
3722ia	main bearing set, - 0,75	616 100 130 65	only Super 90
3722j	main bearing set, - 0,25	616 100 138 50	356 C/SC, 912
3722k	main bearing set, - 0,50	616 100 138 55	356 C/SC, 912
3722l	main bearing set, - 0,75	616 100 138 65	356 C/SC, 912
3722m	main bearing set, + 0,25	616 100 138 60	356 C/SC, 912
3722n	main bearing set, + 0,25 - 0,25	616 100 138 70	356 C/SC, 912
3722o	main bearing set, + 0,25 - 0,50	616 100 138 75	356 C/SC, 912
3722p	main bearing set, + 0,25 - 0,75	616 100 138 85	356 C/SC, 912
3722q	main bearing set, + 0,50	616 100 138 90	356 C/SC, 912
3722r	main bearing set, + 0,75	616 100 138 95	356 C/SC, 912



„-“ means: crankshaft polished  
„+“ means: engine case drilled

x Ø 40mm  
x\* Ø 50mm  
x\*\* Ø 55mm

# main bearings

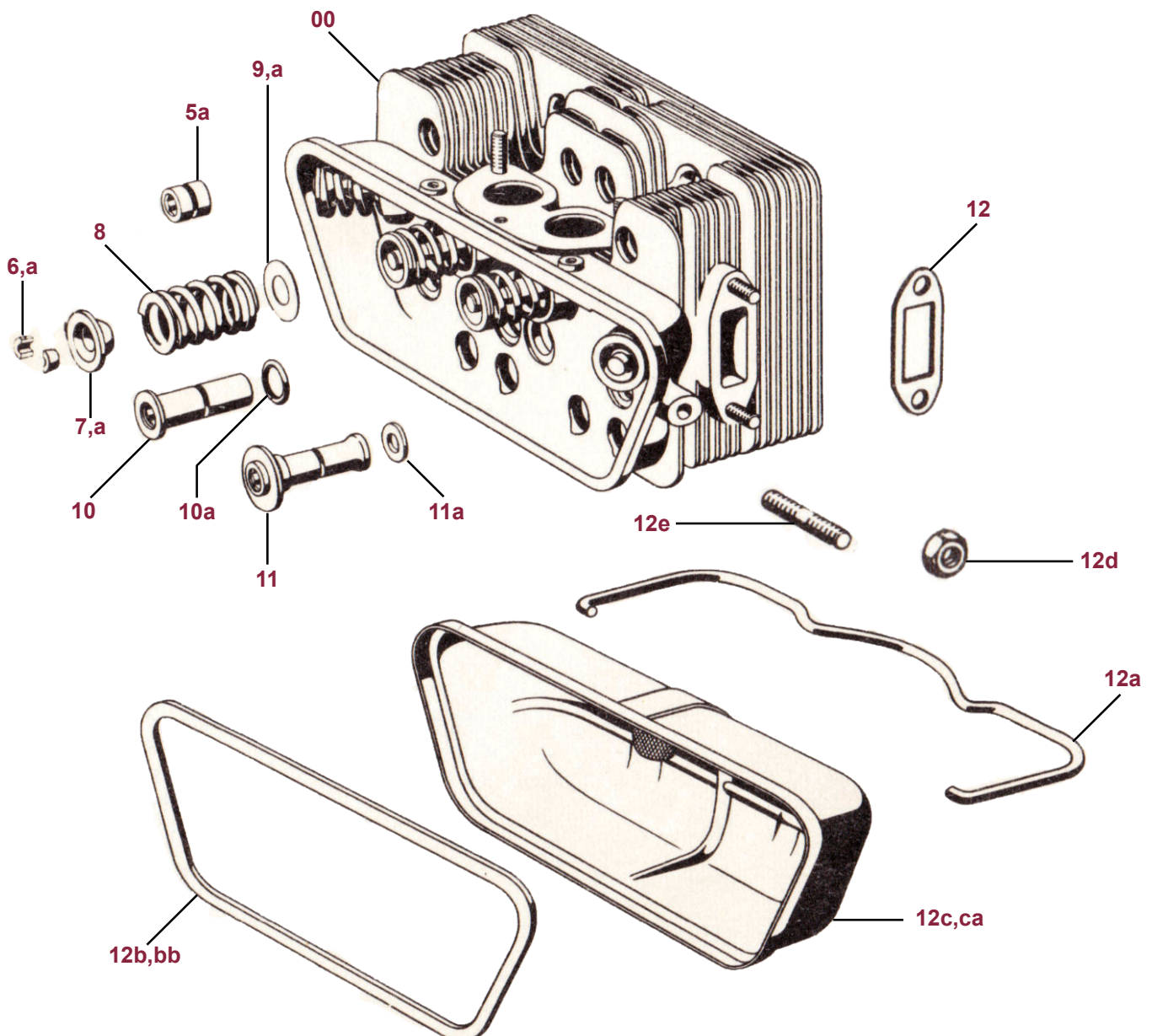
## Carrera

3721e	main bearing set for type 587, standard	587 101 131 00	Carrera 2, 904
		587 101 132 00	
		587 101 133 00	
3721f	main bearing set for type 692/2 and 692/3, not 3A	692 101 136 00	Carrera 1600
		692 101 135 02	
		692 101 133 00	
3721g	main bearing set for type 587, 1. undersize, - 0,25	587 101 131 50	Carrera 2, 904
		587 101 132 50	
		587 101 133 50	
3721h	main bearing set for type 587, 2. undersize, - 0,50	587 101 131 55	Carrera 2, 904
		587 101 132 55	
		587 101 133 55	
3721i	main bearing set for type 692/3A	587 101 131 00	Carrera 1600
		587 101 132 00	
		587 101 133 00	
3721j	main bearing set for type 587, oversize + 0,25 mm, engine case 70,25 mm	CLP 101 131 60	Carrera 2, 904
		CLP 101 132 60	
		CLP 101 133 60	
3721k	main bearing set for type 587, oversize + 0,50 mm, engine case 70,50 mm	CLP 101 131 90	Carrera 2, 904
		CLP 101 132 90	
		CLP 101 133 90	
3721l	main bearing set for type 547 engine case, if use crankshaft Typ 692/3A, 80,50 mm		Carrera 1600
3721m	main bearing set for type 547 engine case, if use crankshaft Typ 692/3A, 82,50 mm		Carrera 1600

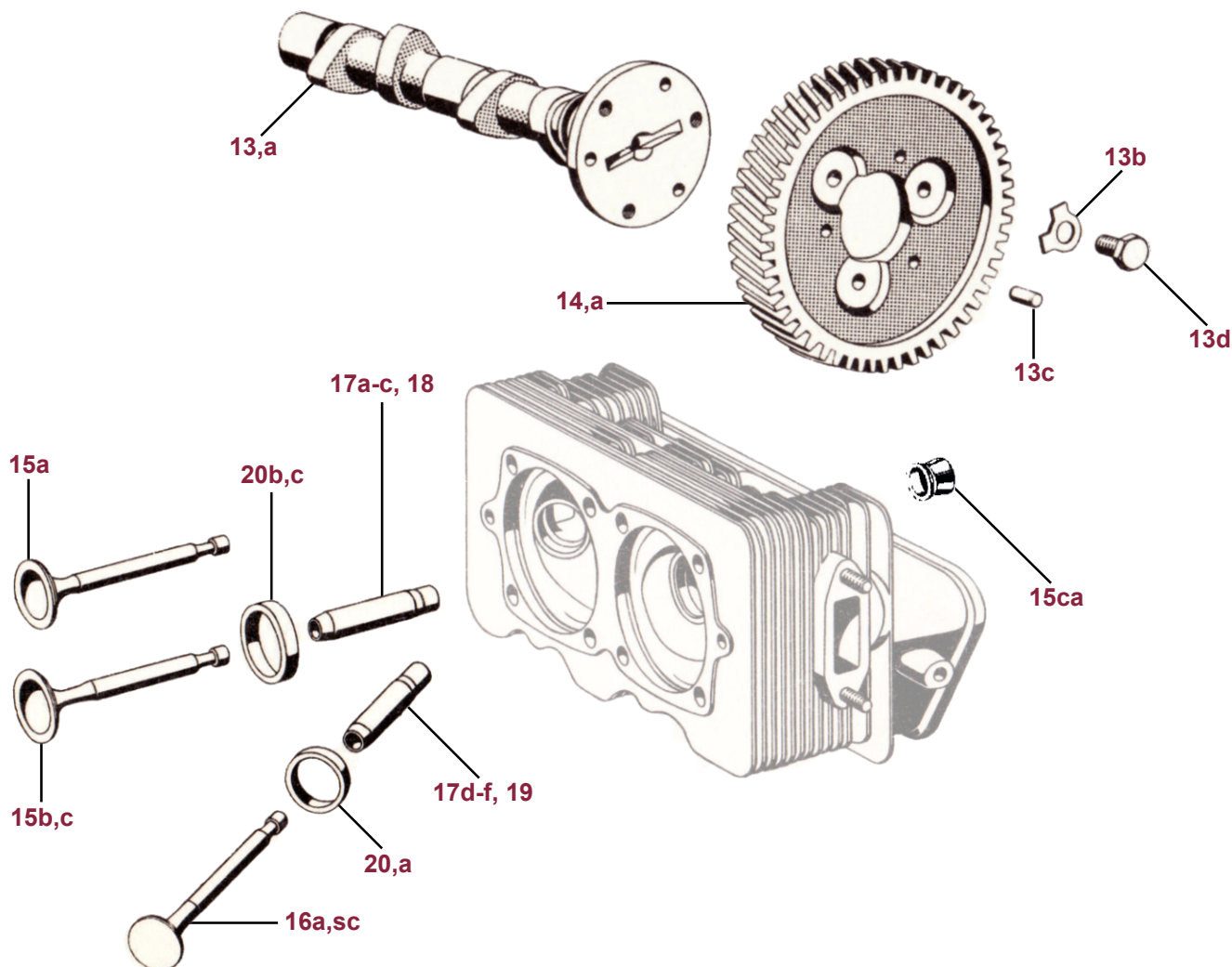




3800	cylinder head with seats and guides, NOS	616 104 036 01	356 C/SC, 912
3805a	cylinder head nut set, 8 pieces, zinc plated	901 104 382 02	356 B/C, 912
3806	valve keeper, seperated, 2 per valve required, 1 groove	369 05 204 1	356 - B and Super 90
3806a	valve keeper, seperated, 2 per valve required, 3 grooves	901 105 417 00	356 C/SC, 912
3807	spring retainer	616 105 421 01	356 - B
3807a	spring retainer	616 105 422 00	356 C/SC, 912
3808	valve spring	616 105 432 03	all 356, 912
3809	valve spring waher, as required	369 04 218	all 356, 912
3809a	valve spring waher, as required	616 104 391 00	only Super 90
3810	cylinder head nut, 2 required	616 104 383 00	356 B/C, 912
3810a	o-ring for cylinder head nut, 8 required	539 04 203	all 356
3811	cylinder head nut, 6 required	616 104 381 01	356 B/C, 912
3811a	washer for cylinder head nut, 16 required	999 031 062 02	all 356
3812	gasket for exhaust, „Reinz“, OEM, 4 required	616 111 291 00	all 356
3812a	valve cover retaining spring	24 240	all 356
3812b	valve cover gasket, original, cork, poor quality, better use 3812bb	616 104 951 00	all 356, 912
3812bb	valve cover gasket, reinfordced version	616 104 951 01	all 356, 912
3812c	valve cover, without vent	597 104 305 00	912
3812ca	valve cover, vented version, 60 hp engine	CLP 104 043 01	356 A - B
3812d	copper nut for exhaust, SW 12	502 08 310	all 356
3812e	stud for exhaust flange, M8x36, only for US heating system	900 061 005 00	all 356

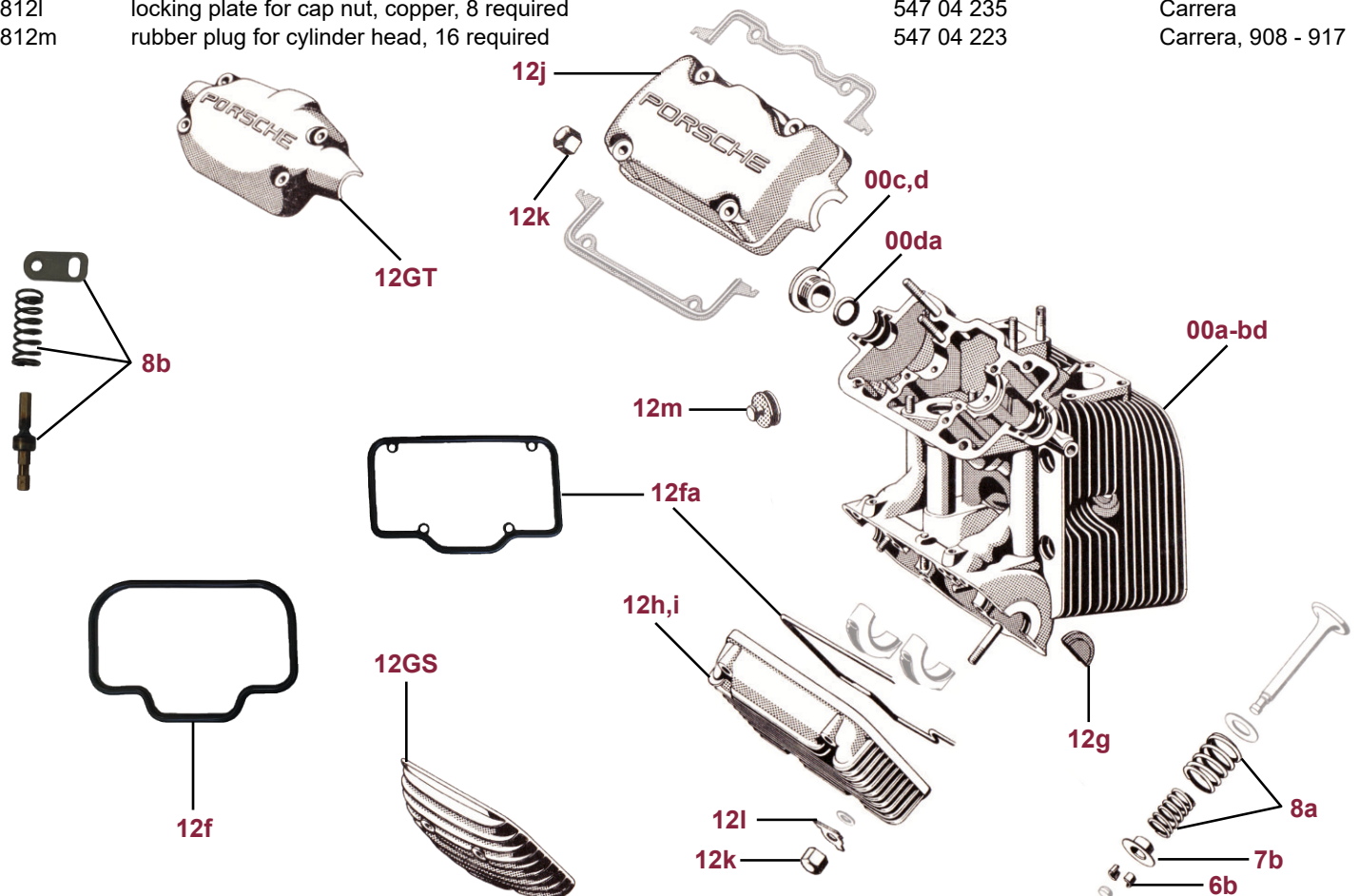


3813	camshaft RO 200,5, normal version, 316°	616 105 102 00	Super 90/SC, 912
3813a	camshaft, RO 209.6, sport version, 324°	616 105 102 90	all 356
3813b	locking plate for camshaft, 3 required	616 105 102 90	all 356
3813c	pin for camshaft, 3 required	900 012 010 00	all 356
3813d	hexagon bolt for camshaft gear, 10 K, 3 required	900 075 024 00	all 356
3814	helical gear, size '0' = standard, aluminium	616 105 103 02	all 356
3814a	helical gear, oversize, specify size, aluminium	616 105 103 xx	all 356
3815a	intake valve, 60/75 PS, Normal and Super	546 05 203	356 A - B
3815b	intake valve, 40 mm, 90 PS	616 105 401 00	Super 90
3815c	intake valve, „ATE / TRW“, OEM	616 105 402 00	356 C/SC, 912
3815ca	intake valve seal	616 105 491 02	356 C/SC, 912
3816a	exhaust valve, 60/75 and 90 PS	616 105 405 01	356 A/B Normal,
		616 105 405 05	Super, Super 90
		616 105 406 50	356 C/SC, 912
3816sc	exhaust valve, natrium filled, „ATE/TRW“, OEM	616 104 322 00	356 A - B
3817a	valve guide for intake valve, standard, Normal and Super	616 104 321 00	Super 90
3817b	valve guide for intake valve, standard	616 104 321 00	356 C/SC
3817c	valve guide for intake valve, standard	616 104 322 00	356 A - B
3817d	valve guide for exhaust valve, standard, Normal and Super	616 104 322 00	Super 90
3817e	valve guide for exhaust valve, standard	616 104 322 00	356 C/SC
3817f	valve guide for exhaust valve, standard	616 104 322 00	all 356, 912
3818	valve guide for intake valve, oversize, 14,25 mm, specify engine type	616 104 322 50/51	
3819	valve guide for exhaust valve, oversize, 14,25 mm, specify engine type	616 104 321 50/51	all 356, 912
3820	valve ring for unleaded fuel, only for exhaust valve, Typ 616 - 1/2/7/12	616 104 315 52	356 A - B
3820a	valve ring for unleaded fuel, only for exhaust valve, Typ 616 -15/16/36/39 u. 40	616 104 316 52	356 C/SC, 912
3820b	valve ring for intake valve	369 104 206 52	356 A - B, 60/75 PS
3820c	valve ring for intake valve	616 104 311 50	Super 90



## Carrera

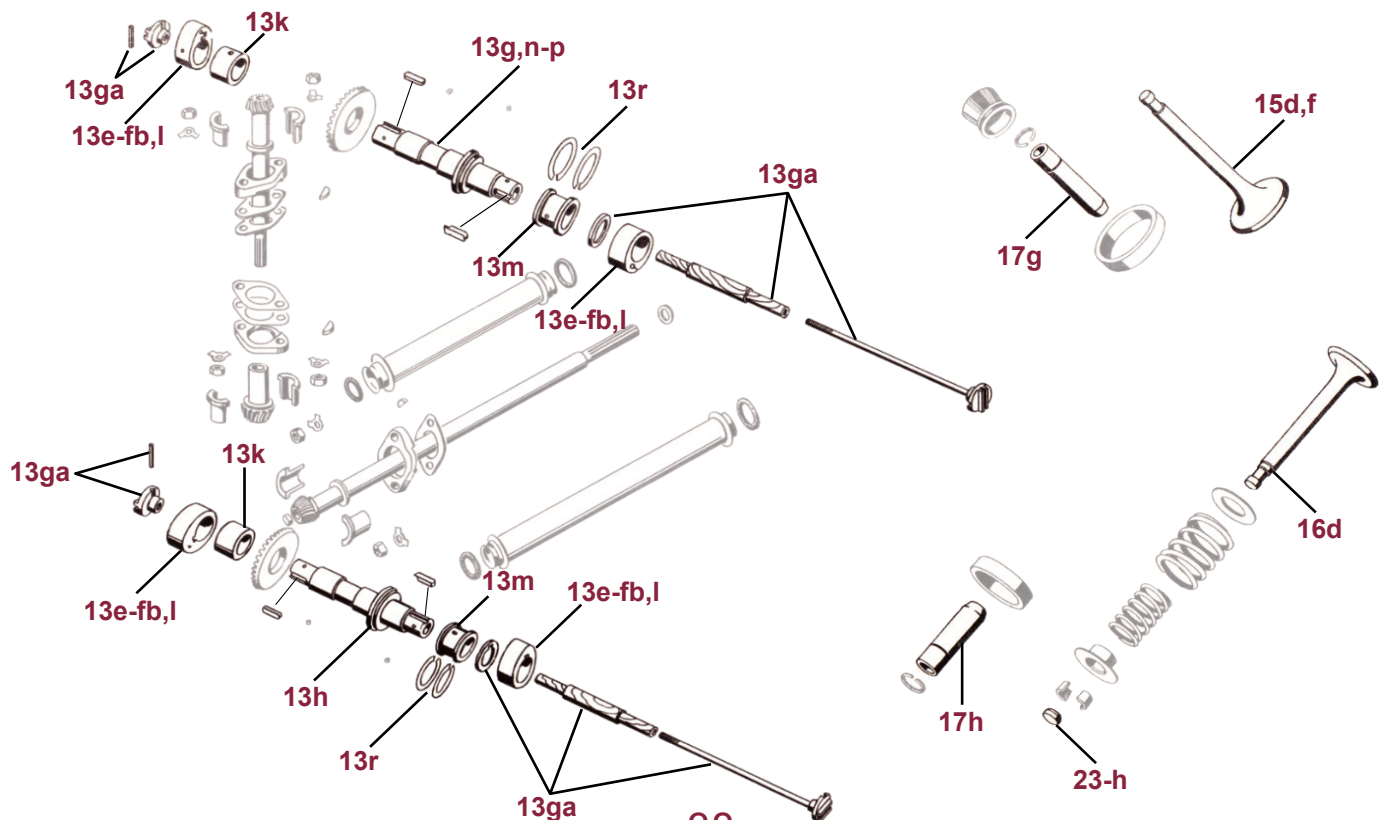
3800a	cylinder head, type 547, with valve covers, but without valve guides and seats	547 04 023	Carrera 1500
3800b	cylinder head, type 692, with valve covers, but without valve guides and seats	692 104 006 01	Carrera 1600
3800bc	cylinder head, type 587/1 and 2, with valve covers, but without valve guides and seats	587 104 031 00	Carrera 2
3800bd	cylinder head, type 587/3, with valve covers, but without valve guides and seats	587 104 033 00	904
3800c	closing piece for cylinder head, aluminium	547 05 302	Carrera
3800d	closing piece for cylinder head, aluminium, long version	CLP 05 302	Carrera
3800da	o-ring for closing piece in cylinder head	547 05 246	Carrera
3806b	valve keeper, separated, 2 per valve required	547 05 213	Carrera
3807b	valve spring retainer, version 904, only in use with 3808a	CLP 105 422 00	Carrera
3808a	valve spring set, inner and outer, all 4-cam engines, version 904, only in use with 3707b	CLP 105 901 00	Carrera
3808b	valve adjustment retainer, with locking pin and spring, latest version	547 05 263	Carrera
3812GS	exhaust valve cover, for type 547 / 692, with seal ring	547 04 226	Carrera 1500/1600
3812GT	intake valve cover, for type 547 / 692	547 04 225 1	Carrera 1500/1600
3812bc	valve cover gasket set for type 587, with all gaskets and o-rings, 15 pieces, „Viton“, best quality	692 104 911 00 692 104 912 00 692 104 913 00 547 04 228	Carrera 2, 904
3812bd	valve cover gasket set for type 547 / 692, with all gaskets and o-rings, 15 pieces, „Viton“, best quality	547 04 233/234/228 547 05 229/246	Carrera 1500/1600
3812f	exhaust valve cover gasket, new version, type 547 / 692	547 04 229	Carrera 1500/1600
3812fa	exhaust valve cover gasket, new version, type 587	692 104 913 00	Carrera 2
3812g	half moon gasket for Carrera cylinder head	547 04 228	Carrera
3812h	exhaust valve cover, for type 587/1	692 104 405 00	Carrera 2
3812i	exhaust valve cover, for type 587/3	547 104 405 00	904
3812j	intake valve cover, for type 587	692 104 401 00	Carrera 2, 904
3812k	cap nut for valve cover, with hole for security wire, 16 required	900 070 003 02	Carrera
3812l	locking plate for cap nut, copper, 8 required	547 04 235	Carrera
3812m	rubber plug for cylinder head, 16 required	547 04 223	Carrera, 908 - 917



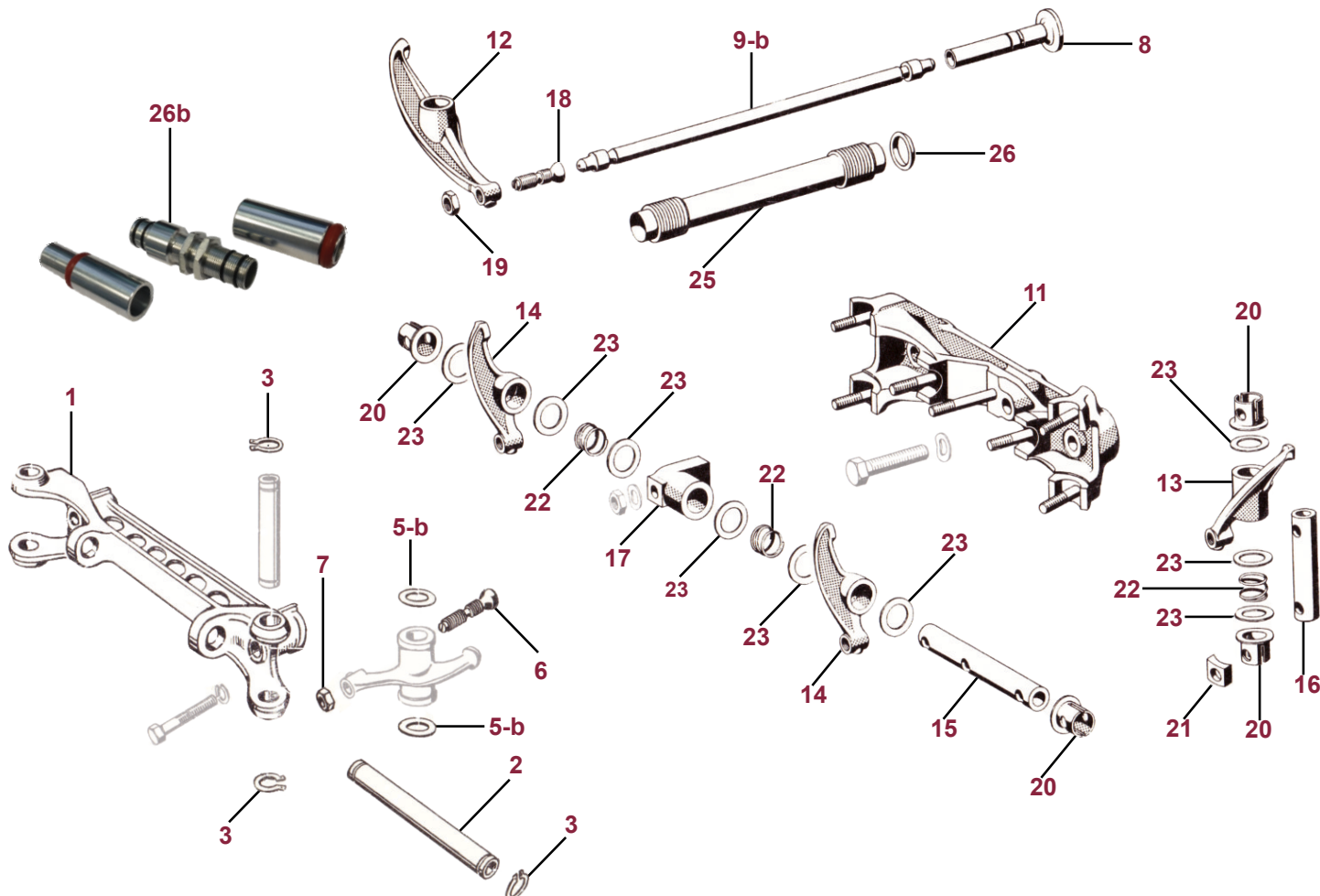


## Carrera

3813e	cam lobe, lift 10 mm, height 7,5 mm, opening angle 296°, 1 dot	547 05 266	Carrera
3813f	cam lobe, lift 12,25 mm, height 9,2 mm, opening angle 352°, 1 dot	719 105 111 00	Carrera
3813fa	cam lobe, lift 12,13 mm, height 8,7mm, opening angle 328°, 2 dot	587 105 115 00	Carrera
3813fb	cam lobe, lift 12,13 mm, height 8,7mm, opening angle 315°, 2 dot	587 105 115 01	Carrera
3813g	inlet cam, complete with both keys	547 05 276	Carrera 1500/1600
3813ga	driver with stud for camshaft,with 2nd driver, alu pin and washer, 4 pieces, type 547 / 692	547 05 278/279/281 und 547 05 262	Carrera 1500/1600
3813h	exhaust cam, complete with both keys	547 05 277	Carrera 1500/1600
3813i	flywheel set for intake and exhaust cams with bushings, type 587 set for 1 cylinder head	692 105 141 02	Carrera 2
3813j	drag lever	547 05 219 2	Carrera
3813ja	adjusting screw for drag lever	547 05 319	Carrera
3813k	bearing bushing without collar, type 692 / 587	587 105 132 00	Carrera
3813l	cam lobe, version 3 A	692 105 115 00	Carrera
3813m	bearing bushing with collar, type 692 / 587	587 105 131 00	Carrera
3813n	intake camshaft for cylinder 1 and 2, type 692/3A, "Reutter GT"	692 105 103 04	Carrera
3813o	intake camshaft for cylinder 3 and 4, type, Typ 692/3A, "Reutter GT"	692 105 103 05	Carrera
3813p	intake camshaft for type 692/3A, „Abarth GT“	692 105 103 05	Carrera
3813q	flywheel for cylinder 2 and 4, type 692/3A and 547/3	692 105 141 01	Carrera
3813r	washer for camshaft 0,05/0,08/0,10/0,25/0,35 and 0,40mm	547 05 293	Carrera
		547 05 294	
		547 05 295	
		547 05 296	
3815d	intake valve, 48 mm for type 692/3, 3A and 587/1	719 105 401 00	Carrera
3815f	intake valve, 50 mm, NOS	587 105 401 01	904
3816d	exhaust valve, 41 mm for type 692/3, 3A and 587/1	719 105 405 50	Carrera
3816f	exhaust valve, 43 mm	587 105 405 00	904
3817g	intake valve guide, specify engine type	587 104 321 50	Carrera
3817h	exhaust valve guide, specify engine type	587 104 325 50	Carrera
3823	valve cap, 1,50 mm	587 105 441 00	Carrera
3823a	valve cap, 1,75 mm	587 105 441 01	Carrera
3823b	valve cap, 2,00 mm	587 105 441 02	Carrera
3823c	valve cap, 2,25 mm	587 105 441 03	Carrera
3823d	valve cap, 2,50 mm	587 105 441 04	Carrera
3823e	valve cap, 2,75 mm	587 105 441 05	Carrera
3823f	valve cap, 3,00 mm	587 105 441 06	Carrera
3823g	valve cap, 3,25 mm	587 105 441 07	Carrera
3823h	valve cap, 3,50 mm	587 105 441 08	Carrera



3901	rocker arm support, steel	539 05 223	early version
3902	rocker shaft, front	539 05 225	early version
3903	locking ring	900 041 007 01	early version
3905	spacer for rocker arm, 0,5 mm	539 05 235	early version
3905a	spacer for rocker arm, 0,6 mm	539 05 237	early version
3905b	spacer for rocker arm, 0,7 mm	539 05 238	early version
3906	adjusting screw	369 05 243	early version
3907	nut for adjusting screw	900 034 005 00	early version
3908	valve lifter, 356 - 356 SC and 912	539 05 210	356 A - C, 912
3908a	valve lifter set, 8 pieces	369 05 222	356 pre A
3909	push rod, latest version, for all cast iron- and biral cylinder	616 105 028 02	356 A - C
3909a	push rod set, 8 pieces, for racing	CLP 105 028 02	356 B/C
3909b	push rod set, 8 pieces	539 05 020	356 pre A
3911	rocker arm support, aluminium	616 105 031 03	late version
3912	rocker arm, exhaust, long	616 105 034 01	late version
3913	rocker arm, exhaust, short	616 105 033 01	late version
3914	rocker arm, intake, short	616 105 037 00	late version
3915	rocker shaft, long, 2 required	616 105 321 00	late version
3916	rocker shaft, short, 4 required	616 105 325 00	late version
3917	bearing bracket for rocker shaft	616 105 305 00	late version
3918	adjusting screw	369 05 243	late version
3919	nut for adjusting screw	999 034 005 00	late version
3920	spacer piece ( rocker shaft )	616 105 312 00	late version
3921	curved washer	616 105 314 00	late version
3922	spring for rocker shaft	616 105 331 00	late version
3923	spacer for rocker shaft, 0,40 mm	539 05 236	late version
3923a	spacer for rocker shaft, 0,30 mm	539 05 239	late version
3923b	spacer for rocker shaft, 0,50 mm	539 05 235	late version
3923c	spacer for rocker shaft, 0,60 mm	539 05 237	late version
3925	push rod tube, zinc plated, 8 required	616 105 231 00	all 356
3926	seal for push rod tube, 16 required	539 05 207	all 356
3926b	collapsible push rod tube, with gaskets	CLP 105 231 03	all 356

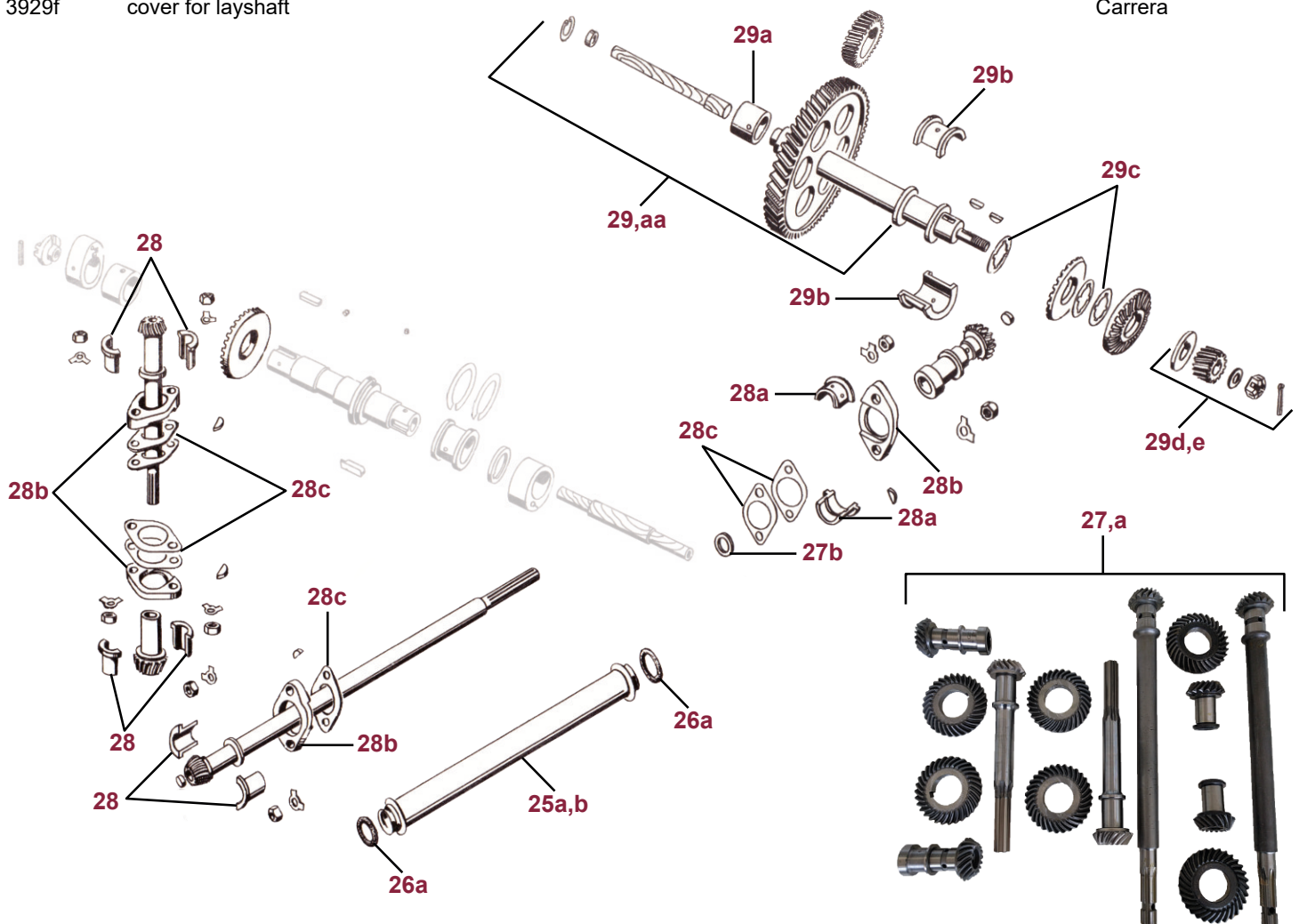


# supplies for cylinder head

## Carrera

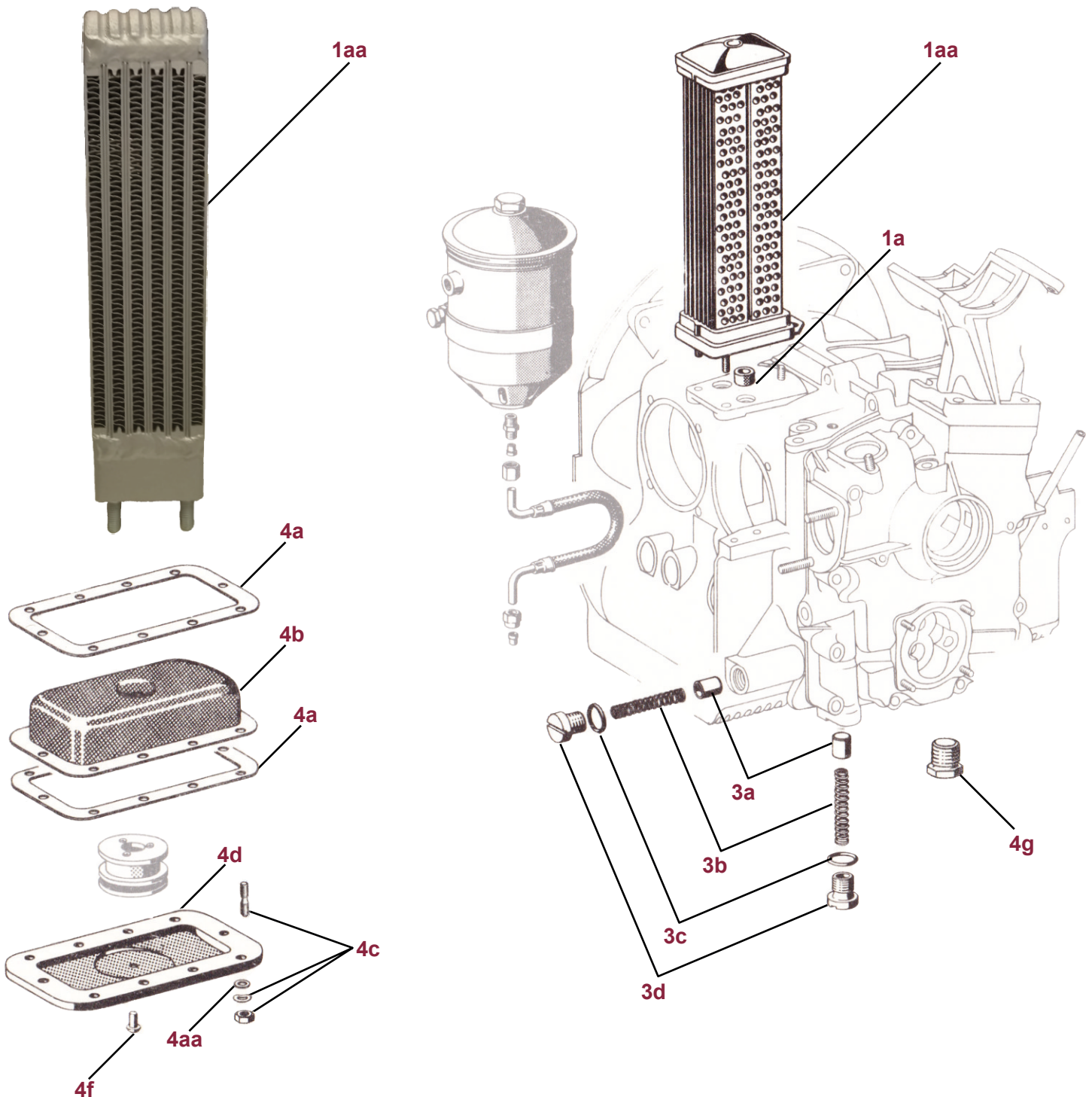
*Classic parts*

3925a	oil tube set, 4 pieces, type 547 / 692	547 05 309/310	Carrera 1500/1600
3925b	oil tube set, 4 pieces, type 587	587 105 335/336 00	Carrera 2, 904 GTS
3926a	o-ring, fur oil tube, 8 required	547 05 244	Carrera
3927	complete set of shafts, A - F, type 547 / 692	547 05 022/023	Carrera 1500/1600 024/025/026/027
3927a	complete set of shafts, A - F, type 587	547 05 022/024/025/027	Carrera 2, 904 GTS 587 105 903/904 00
3927b	o-ring for A/D shaft	547 05 246	Carrera
3927c	sealing plug for pinion and long vertical shaft	547 05 911	Carrera
3928	bearing shell set, for vertical shaft, long, oversized for self fitting, 4-holes, 4 required	547 05 913	Carrera
3928a	bearing shell set, for vertical shaft, short, oversized for self fitting, 2-holes, 4 required	547 05 236	Carrera
3928b	flange for shaft bearing, 8 required	547 05 270/271/272/273	Carrera
3928c	compensation washer for vertical shaft, as required, 0,05/0,08/0,10/0,25/0,35/0,40 mm	CLP 05 911 u.	Carrera
3928d	bearing shell set for vertical shaft, Inner, outer and lenght in oversize	CLP 05 913	Carrera
3928e	woodruff key for vertical shaft flange	900 118 004 00	Carrera
3929	layshaft, with timing gear, complete with filler rod and cover, for type 692 / 587	692 105 901 00 u.	Carrera
3929a	bearing bushing for layshaft	547 05 247/248	Carrera
3929aa	layshaft, with timing gear, complete with filler rod and cover, for type 547 roller bearing	547 05 288	Carrera
3929ab	layshaft, with timing gear, complete with filler rod and cover, for type 547 roller bearing	547 05 285 u.	Carrera 1500
3929b	bearing shell set for layshaft	547 05 247/248	Carrera
3929c	bearing shell set for layshaft	547 05 912	Carrera
3929c	compensating washer for vertical shaft, as required 0,05/0,08/0,10/0,25/0,35/0,40 mm	547 05 297/298/299/300	Carrera
3929d	layshaft gear for oilpump, set with hardware, type 692 / 587	692 107 153 00 u.	Carrera 1600/2000 547 05 268/269
3929e	layshaft gear for oilpump, set with hardware, type 547	547 07 101	Carrera 1500
3929f	cover for layshaft		Carrera



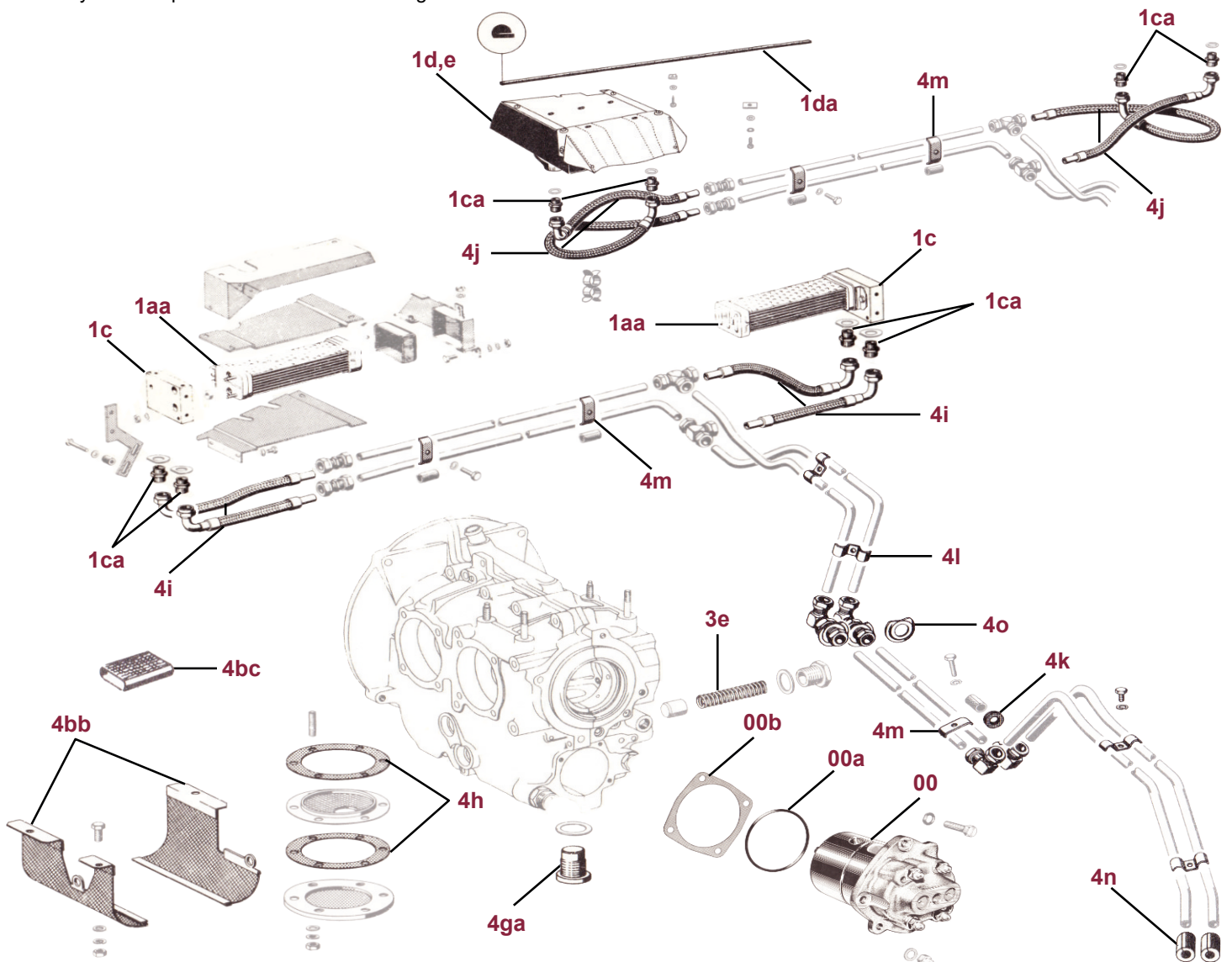


4001a	seal ring for oil cooler, 2 required	616 01 123	all 356, 912
4001aa	oil cooler, aluminium, best quality	616 101 123 00	
4003a	oil pressure piston, 2 required	616 107 041 01	all 356, 912
4003b	spring for oil pressure valve, 2 required	616 107 511 00	356 B/C
4003c	copper gasket for oil pressure valve, 2 required	999 521 016 00	356 B/C
4003d	plug for oil pressure valve, 2 required	900 123 025 70	356 B/C
4004a	gasket for oil strainer cover	999 064 010 02	356 B/C
4004aa	copper washer for oil strainer cover, 10 required	539 01 152	all 356, 912
4004b	oil screen, late version, 16 mm hole	900 025 004 02	all 356, 912
4004c	hardware set, complete, for oil strainer cover	616 101 380 00	356 B/C, 912
4004d	oil strainer cover, without magnet	CLP 061 054 01	all 356, 912
4004f	rivet for magnet in oil strainer cover	539 01 150	all 356, 912
4004g	oil drain plug, without magnet, no gasket needed	900 055 033 20	all 356, 912
		539 01 133	all 356, 912

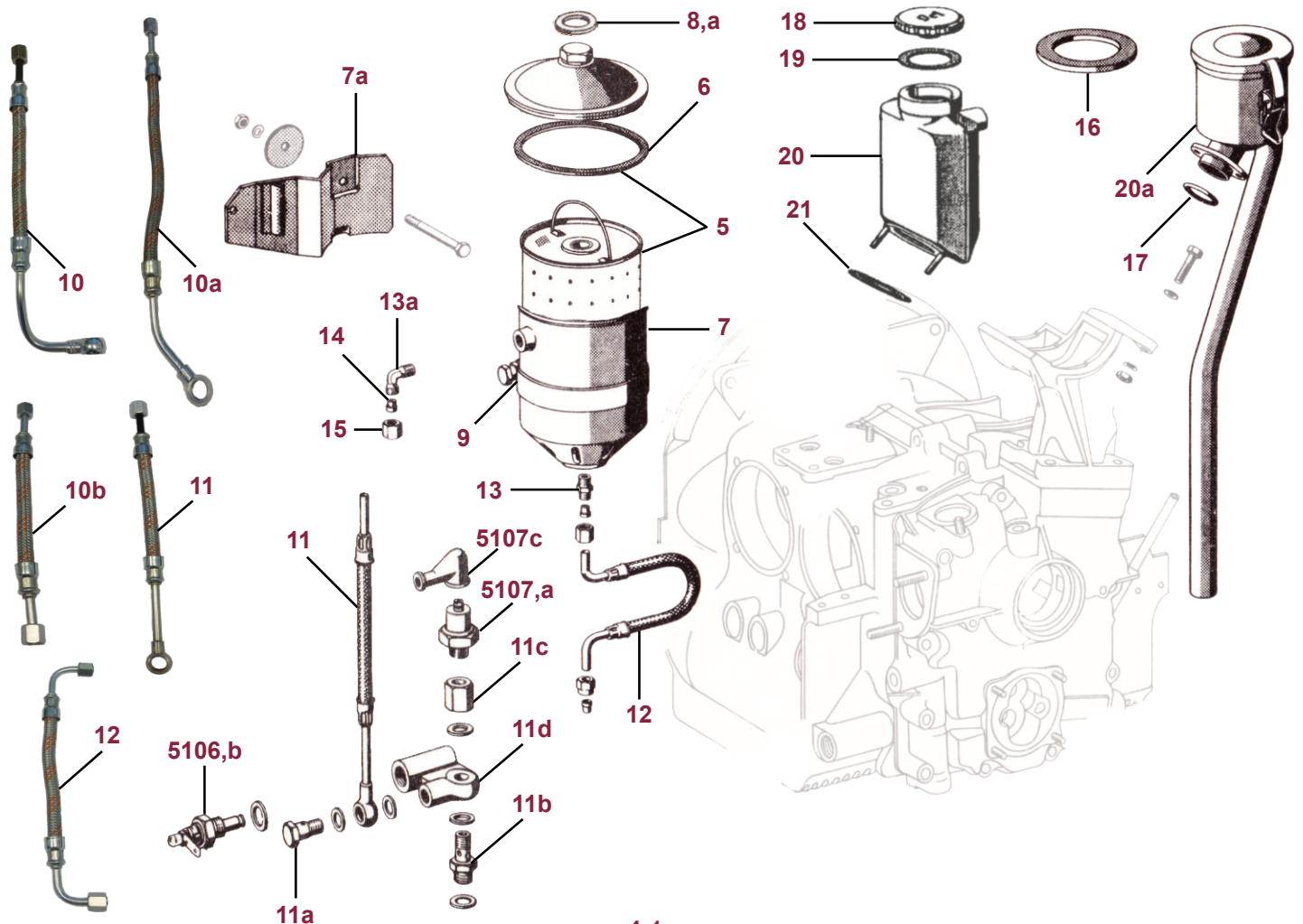


4000	oilpump, for type 587, complete and ready to use	587 107 002 00	Carrera 2, 904
4000a	o-ring for oilpump, type 587	999 701 105 50	904
4000b	gasket for oilpump	547 07 111	Carrera, 904
4000c	oilpump for type 547	547 07 011	Carrera 1500
4001aa	oil cooler, aluminium, best quality	616 107 041 01	Carrera
4001c	base plate for oil cooler, type 692	692 107 401 01	Carrera 1600
4001ca	threated union for oil cooler	900 136 002 02	Carrera 1600, 356 B/C Carrera 2
4001d	housing pair, left and right, for oil cooler	CLP 107 041/042 00	356 B/C Carrera 2
4001da	rubber insert for oil cooler housing, left or right	587 107 491 00	356 B/C Carrera 2
4001e	oil cooler, left or right, without housing	587 107 041/042 00	356 B/C Carrera 2
4003e	spring for oil pressure relief valve, for type 547, 2 required	547 07 113	Carrera 1500
4004bb	oil collecting strainer pair for type 547/1, 692, 587	547 07 142/143	Carrera
4004bc	oil sup strainer for roller bearing engine, type 547, 692	547 07 130	Carrera
4004ga	oil drain screw for engine case	547 07 112	Carrera
4004h	gasket for oil strainer cover, all plain bearing engines	539 01 130	Carrera
4004i	oil hose (between tube and cooler), with connectors, for type 692/2, 3 and 3A *	692 107 325 00	Carrera 1600
4004j	oil hose (between tube and cooler), with connectors, for type 587/1 and 2 *	587 107 325 00	356 B/C Carrera 2
4004k	rubber grommet for oilline under lock post, 2 required	999 702 038 50	Carrera
4004l	pipe clamp for oilines, 4 required	692 107 363 00	Carrera
4004m	pipe clamp/bracket for oilines, 3 required	692 107 357 00	Carrera
4004n	hose for oilline to inner rear fender, 2 required	999 181 005 50	Carrera
4004o	cup washer for oilline, 4 required	692 107 365 00	Carrera

\* = they come in pieces and have to fit in lenght to each cooler.

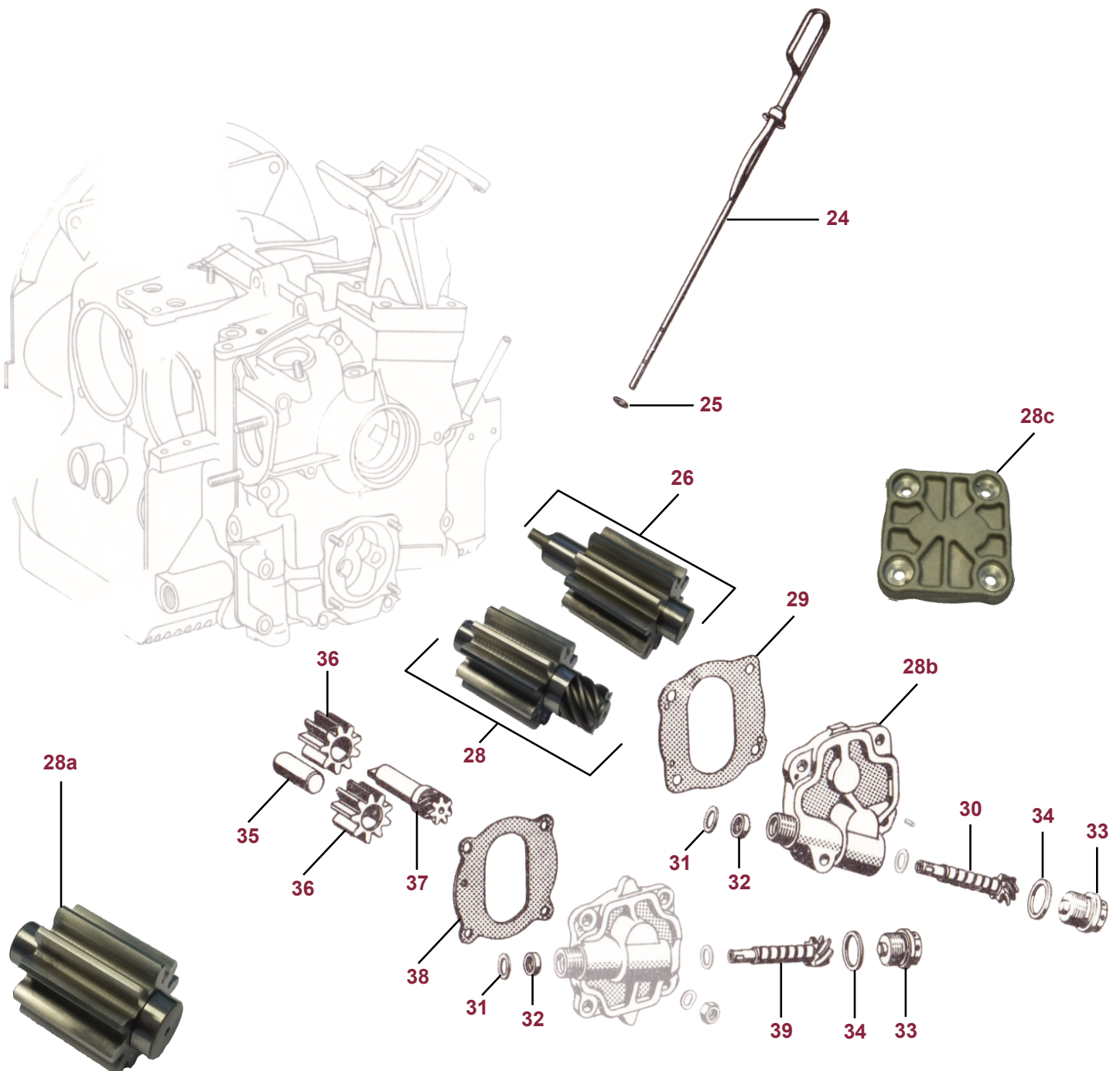


4105	oil filter cartridge with gasket	546 07 827/829	all 356, 912
4106	gasket for oil filter	546 07 829	all 356, 912
4107	oil filter housing, complete	546 07 800	all 356, 912
4107a	bracket for oil filter on fan housing	546 07 820	all 356
4108	copper washer for oil filter cover, 12x18, „Fram“	900 123 006 25	all 356, 912
4108a	copper washer for oil filter cover, 16x22, „H-Filter“	900 123 019 20	all 356, 912
4109	strap for oil canister, zinc plated	546 09 301	all 356, 912
4110	inlet oil line, ready to use	539 07 818	356 - early 356 A
4110a	inlet oil line, ready to use		356 - early 356 A
4110b	inlet oil line, ready to use		356 - early 356 A
4111	inlet oil line, ready to use		356 A - C
4111a	banjo bolt	616 07 818	356 A - C
4111b	threated union	616 07 812	356 A - C
4111c	union for oil pressure switch	999 135 001 02	356 A - C
4111d	connector plate for oil lines	616 07 807	356 A - C
4112	outlet oil line, ready to use	616 07 081	356 A - C
4113	fitting between outlet oil line and oil canister	539 07 826	all 356, 912
4113a	90° elbow fitting between inlet oil line and oil canister	900 105 001 02	all 356, 912
4114	sleeve for oil line	900 106 001 02	all 356, 912
4115	nut for sleeve	900 102 001 02	all 356, 912
4116	gasket for oil breather cover, early version	900 104 001 02	all 356, 912
4117	gasket for oil breather base, early version	539 07 726	356 - B T5
4118	cap for oil breather, „Oel“	000 97 301	356 - B T5
4119	rubber gasket for cap	999 211 004 00	356 B T6/C
4120	oil breather	644 201 272 06	356 B T6/C
4120a	oil breather, complete, early version	616 107 079 02	356 C
4121	base gasket for oil breather, late version	539 07 075	356 A - B T5
4122	connecting hose breather hose to cylinder head	616 107 792 01	356 B T6/C, 912
4122a	hose clamp for breather hose	616 107 727 00	356 C SC, 912
4123	grommet for connecting pipe	999 180 029 50	
4123a	rubber plug for left cylinder head	999 702 047 50	356 C SC, 912
		616 104 393 00	356 C SC, 912





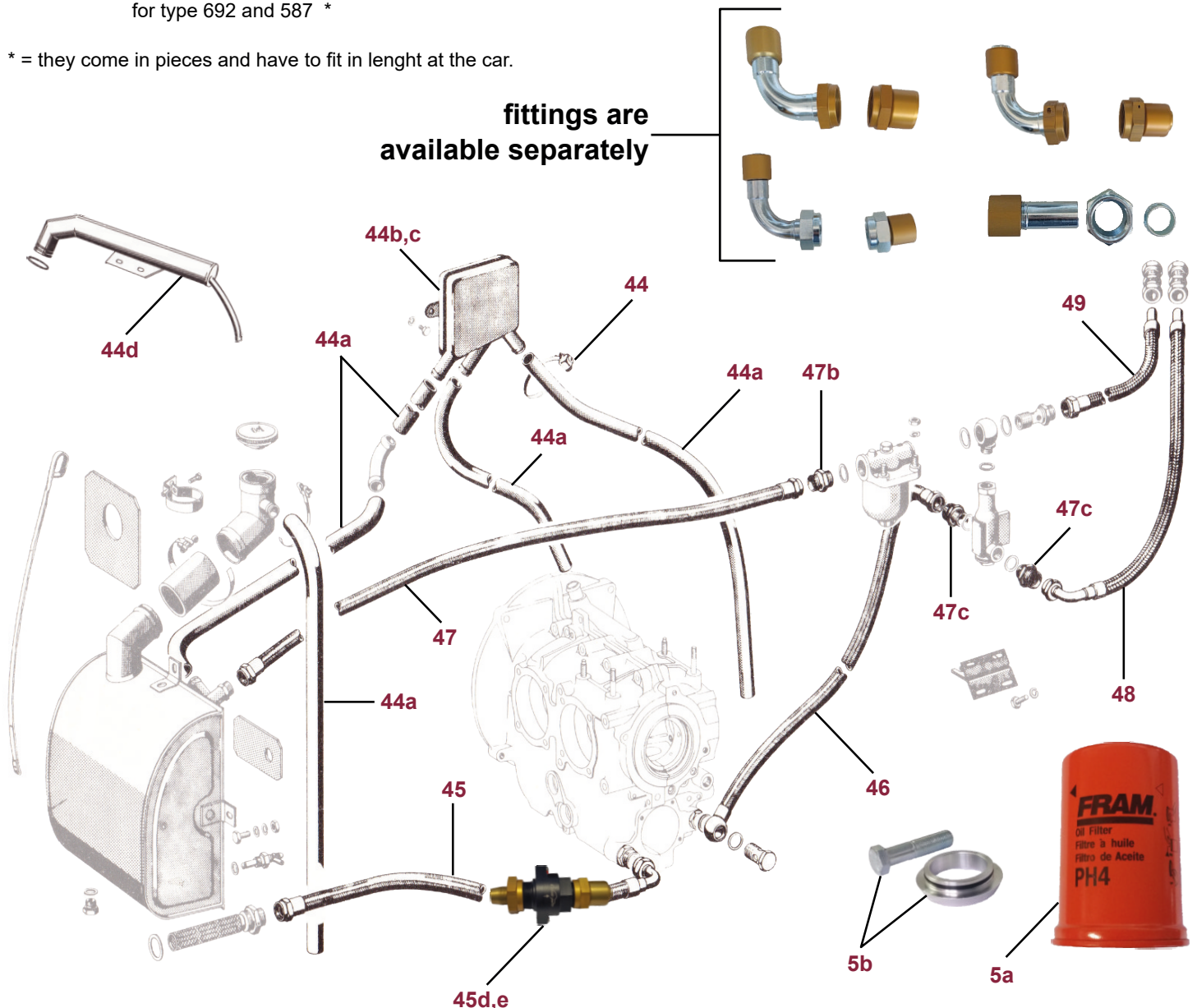
4124	oil level dip stick	616 07 070	all 356, 912
4125	seal ring for dip stick	539 07 709	all 356, 912
4126	oil pump shaft I with oil pump gear	616 107 016 00	356 B/C
4128	oil pump shaft II with oil pump gear for mechanical tacho	616 107 015 01	356 B/C
4128a	oil pump shaft II with oil pump gear for electrical tacho	616 107 017 00	356 C, 912
4128b	cover for oil pump, for mechanical tacho, late version	616 107 107 01	356 B/C
4128c	cover for oil pump, for electrical tacho	616 107 108 01	356 C, 912
4129	gasket for oil pump cover	616 107 902 01	356 B/C, 912
4130	pinion for tacho	616 118 205 01	356 B/C, 912
4131	shim for tacho drive shaft	369 05 707	all 356, 912
4132	oil seal for tacho drive shaft	539 07 117	all 356, 912
4133	plug for tacho drive shaft	616 107 109 00	356 B/C, 912
4134	gasket for bearing screw	900 123 010 02	all 356, 912
4135	oil pump shaft	539 07 116	356 - B
4136	oil pump gear	539 07 115	356 - B
4137	oil pump shaft with tacho drive gear	539 07 014	356 - B
4138	gasket for oil pump cover	539 07 109	356 - B
4139	pinion for tacho	369 05 702	356 - B



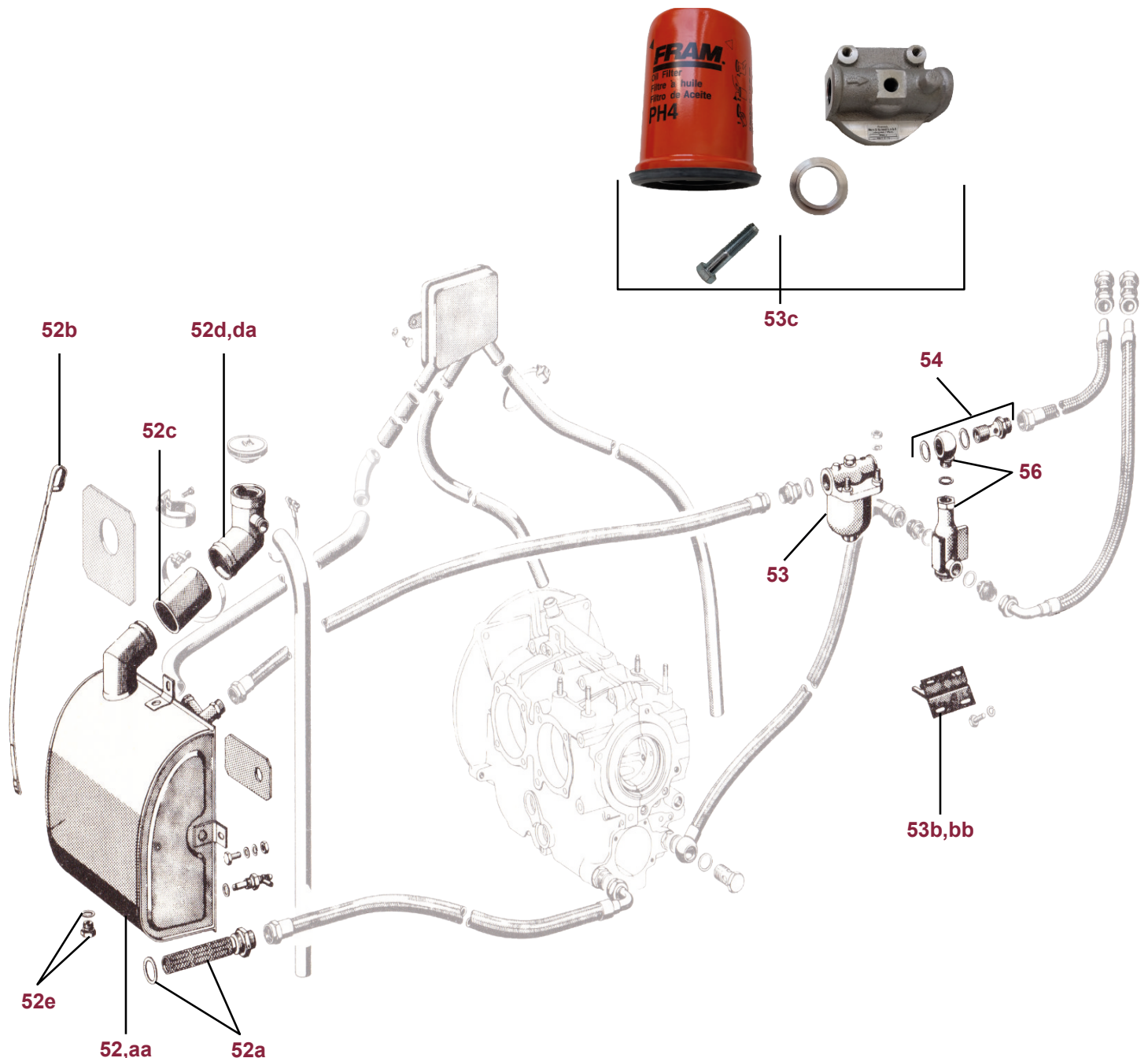
4105a	oilfilter, replacement part „Fram PH4“, to use with the adapter 4105b	CLP 07 494	Carrera
4105b	adapter for „Fram PH4“ replacement oilfilter, complete with screw	CLP 07 495	Carrera
4144	hose clamp for oil breather and oil tank, 7 required	999 512 041 02	Carrera
4144a	rubber hose for breather, lenght 1 m, as required 356 Carrera needs ca. 2,5 m	CLP 181 0XX 50	Carrera, Abarth, Spyder, 904
4144b	engine breather	692 107 079 01	Carrera
4144c	engine breather	587 107 079 00	904
4144d	engine breather tube for engine, type 547	547 01 135	Carrera
4145	oil hose (oil tank to oil pump) complete with all fittings, for type 547, 692, 587 *	692 107 301 00	Carrera
4145d	oil inlet check valve between oil tank and oil pump, complete with all fittings	CLP 107 100 00	Carrera, Abarth, Spyder
4145e	oil inlet check valve between oil tank and oil pump complete with all fittings	CLP 107 100 01	904/911 RS, RSR
4146	oil hose, between oil pump and thermostat, complete with all fittings and banjo bolt, for type 692, 587 or to filter for type 547 *	692 107 321 01	Carrera
4147	oil hose, between oil filter and oil tank, complete with all fittings, for type 547, 692 and 587 *	547 07 403 1	Carrera
4147b	twin connection, between hose and filter, M 22x1,5 / M 22x1,5	900 129 002 02	Carrera 2
4147c	twin connection for thermostat, M 22x1,5 / M 18x1,5	900 136 002 02	Carrera 2
4148	oil hose, between thermostat and oil line, complete with all fittings, for type 692 and 587 *	692 107 325 01	Carrera
4149	oil hose, between oil line and filter, complete with all fittings, for type 692 and 587 *	692 107 326 01	Carrera

\* = they come in pieces and have to fit in lenght at the car.

**fittings are  
available separately**



4152	oil tank for type 692 / 587, plain bearing	692 107 063 01	Carrera 1600, 2000GS/GT
4152a	strainer tube for oil tank, with gasket	547 07 055	Carrera
4152aa	oil tank for type 547, roller bearing	547 07 052 2	Carrera 1500
4152b	oil level dip stick	547 07 535 1	Carrera
4152c	hose for oil tank	547 107 921 01	Carrera 1600, Carrera 2
4152d	oil filler connection, type 692 / 587, plain bearing	692 107 620 00	Carrera 1600, Carrera 2
4152da	oil filler connection, type 547, roller bearing	547 07 054	Carrera 1500
4152e	drain plug for oil tank	900 124 002 02	Carrera
4152f	protection cover for oil tank, roller bearing	644 504 080 00	Carrera 1500
4153	oil filter	CLP 107 494 00	all Carrera except 904
4153a	cartridge for oil filter	550 07 494 11	all Carrera except 904
4153b	bracket for oil filter	547 07 043 2	pre A - A T1 Carrera
4153bb	bracket for oil filter	547 107 250 00	356 A T2 - C Carrera
4153c	oil filter upper part, reproduction „Mann/Hummel“ complete with filter, gasket and adapter	CLP 07 494	Carrera außer 904
4154	threaded union and ring connection for thermostat	692 107 291 00	Carrera außer 904
4155	„Le Mans kit“, with all connections and hoses, for type 587/3, important for racing		904 GTS
4156	thermostat „Behr-Thomson“, plain bearing	692 107 741 00	Carrera







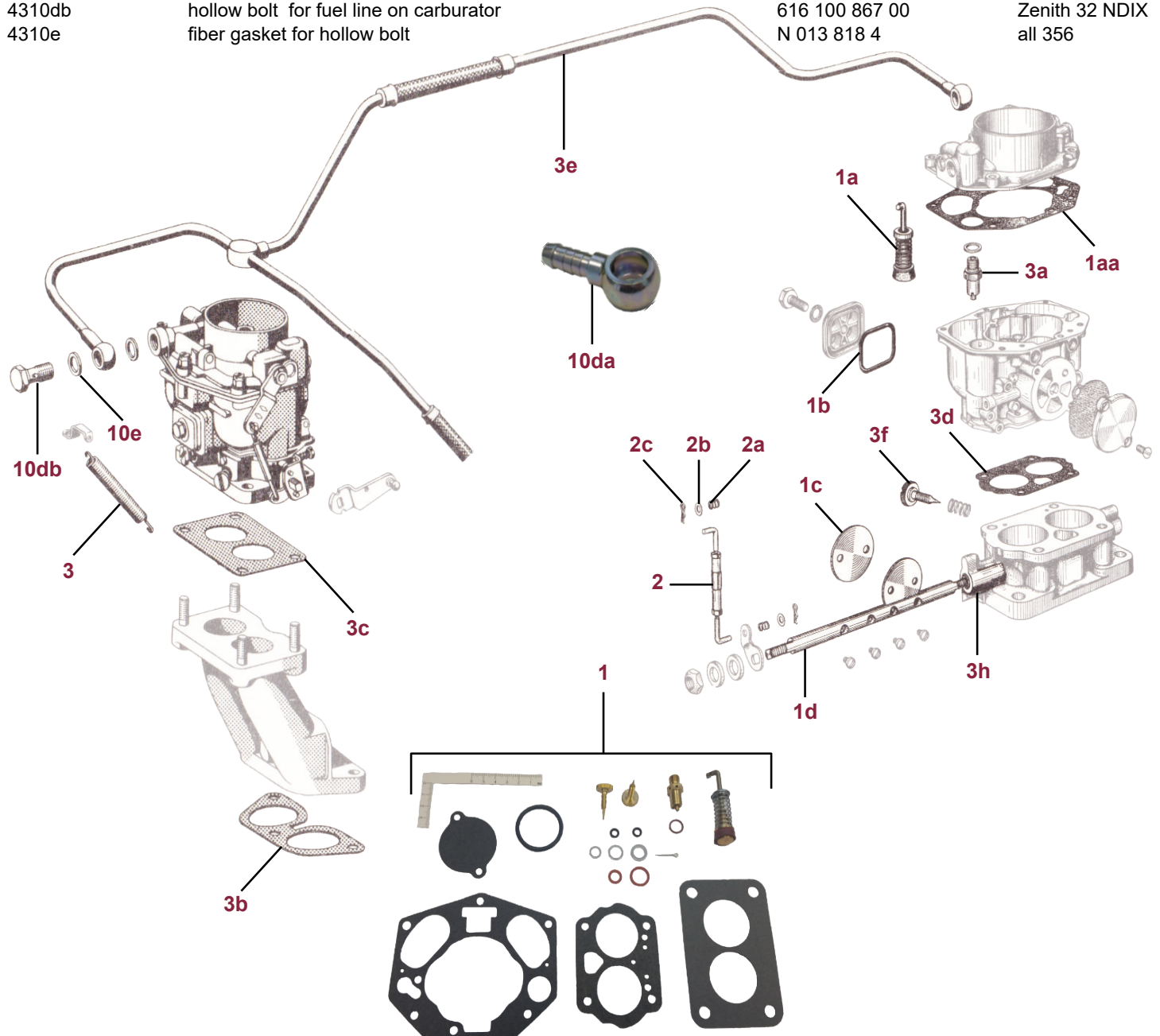
# carburetor and supplies

## Zenith

*Classic parts*

- 4301 repair kit, with accelerator pump
- 4301a accelerator pump
- 4301aa cover gasket
- 4301ab carburetor gasket set
- 4301b o-ring for cover plate for main- and idling jet
- 4301c throttle butterfly
- 4301d spindle for throttle butterfly
- 4301e carburetor gasket set
- 4302 pump control link
- 4302a spring
- 4302b washer
- 4302c lock spring
- 4303 return spring
- 4303a float needle valve
- 4303b gasket for intake manifold
- 4303c gasket for carburetor flange
- 4303d gasket for throttle body and carburetor body
- 4303e fuel line between carburetors and fuel pump, late version
- 4303f idling volume control screw
- 4303h bushing for throttle spindle
- 4310da banjo eyelet for fuel line on carburetor
- 4310db hollow bolt for fuel line on carburetor
- 4310e fiber gasket for hollow bolt

- 616 108 902 01 Zenith 32 NDIX
- 616 100 850 00 Zenith 32 NDIX
- 616 100 864 00 Zenith 32 NDIX
- 616 108 902 01 Zenith 32 NDIX
- 616 100 838 00 Zenith 32 NDIX
- 616 100 803 00 Zenith 32 NDIX
- 616 100 802 00 Zenith 32 NDIX
- 616 108 902 01 Zenith 32 NDIX
- 616 100 809 00 Zenith 32 NDIX
- 616 100 810 00 Zenith 32 NDIX
- 616 100 811 00 Zenith 32 NDIX
- 616 100 812 00 Zenith 32 NDIX
- 616 08 119 Zenith 32 NDIX
- 616 100 974 01 Zenith 32 NDIX
- 502 08 110 Zenith 32 NDIX
- 597 108 310 00 Zenith 32 NDIX
- 616 100 821 00 Zenith 32 NDIX
- 616 108 059 01 Zenith 32 NDIX
- 616 100 818 00 Zenith 32 NDIX
- 901 110 916 01 all 356
- 616 100 867 00 Zenith 32 NDIX
- N 013 818 4 all 356



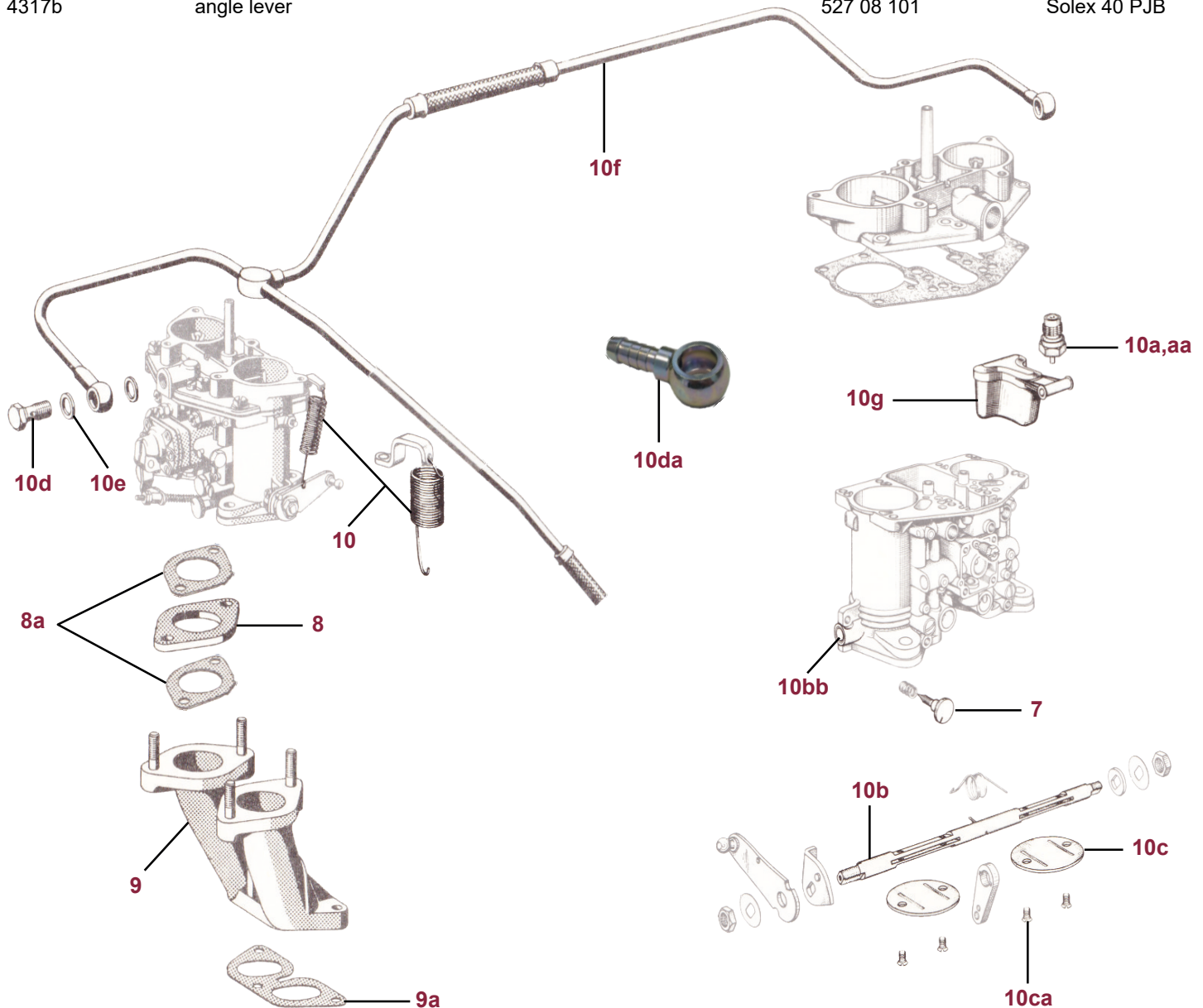
# carburetor and supplies

## Solex

*Classic parts*

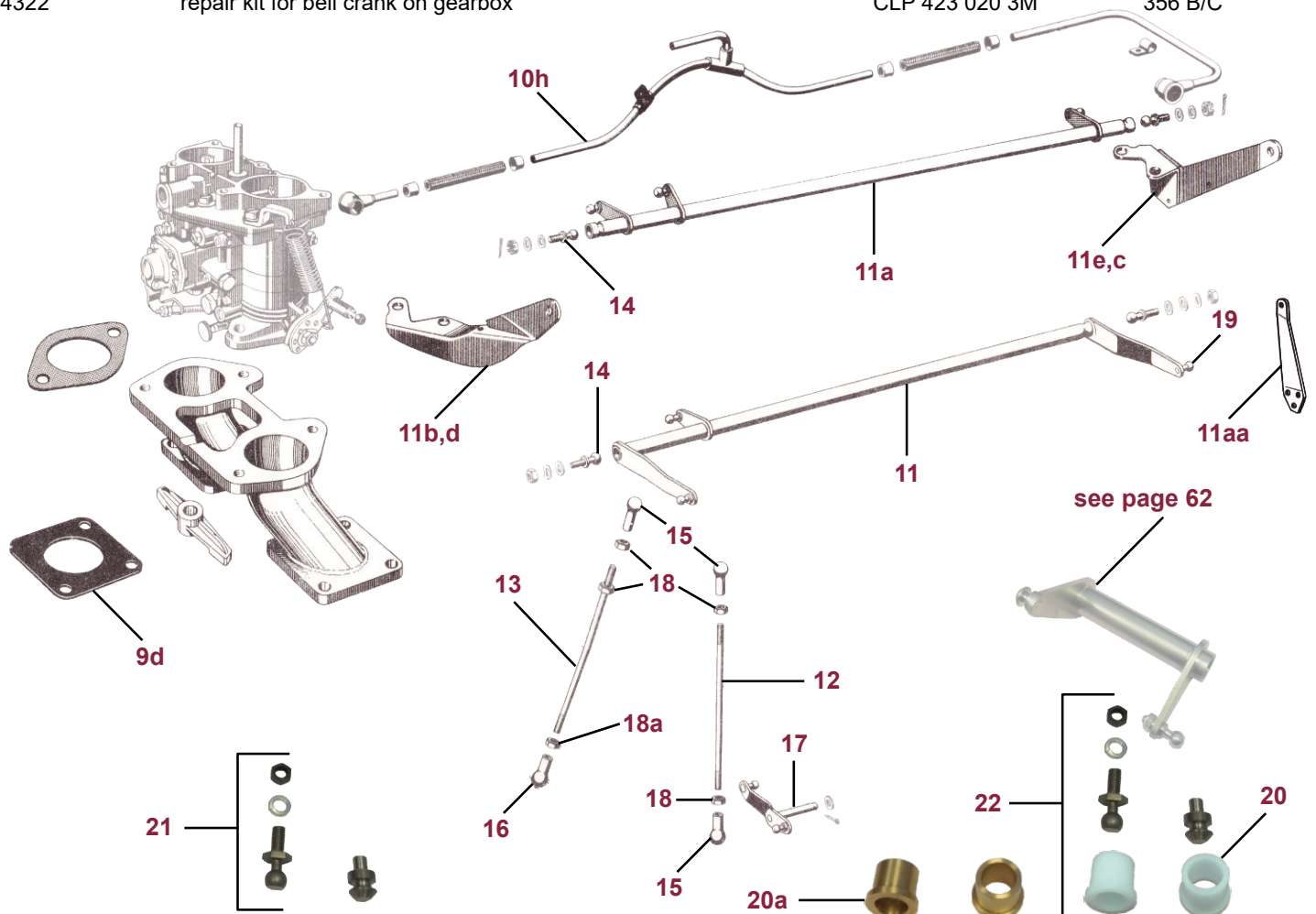
- 4304 repair kit
- 4304a rubber socket for breather tube an carburator
- 4305 repair kit
- 4306 repair kit for carburetor with single shaft
- 4306a gasket kit
- 4306aa repair kit for carburetor with split shaft
- 4307 idling volume control screw
- 4308 fiber insulator spacer, 4 required
- 4308a gasket for spacer, 8 erforderlich
- 4309 manifold
- 4309a gasket for intake manifold
- 4310 return spring
- 4310a needle valve, ersion 1,75
- 4310aa needle valve, Version 2,0
- 4310b spindle for throttle butterfly, one piece version
- 4310bb bushing for throttle spindle
- 4310c throttle butterfly
- 4310ca screw for throttle butterfly
- 4310d hollow bolt for fuel line on carburetor
- 4310da banjo eyelet for fuel line on carburator
- 4310e fiber gasket for hollow bolt
- 4310f fuel line between carburetors and fuel pump, late version
- 4310g float
- 4317a angle lever
- 4317b angle lever

- 616 08 901 Solex 32
- 539 08 320 Solex 32 and 40
- 616 08 902 Solex 40 PBIC
- 616 108 902 02 Solex 40 P II-4
- 616 108 902 03 Solex 40 P II-4
- 616 100 927 01 Solex 40 P II-4
- 616 108 390 00 Solex 40 P II-4
- 616 108 901 02 Solex 40 P II-4
- 616 108 033 01 Solex 40 P II-4
- 616 108 905 00 Solex 40 P II-4
- 999 522 003 02 Solex 40 P II-4
- 616 100 971 00 Solex 40 P II-4
- 616 100 971 01 Solex 40 P II-4
- 616 100 912 02 Solex 40 P II-4
- 616 100 909 02 Solex 40 P II-4
- 616 100 917 00 Solex 40 P II-4
- 616 100 867 00 Solex 40 P II-4
- 901 110 916 01 all 356
- N 013 818 4 all 356
- 616 108 055 03 Solex 40 P II-4
- 616 100 906 01 Solex 40 P II-4
- 369 08 107 Solex 32 PJB
- 527 08 101 Solex 40 PJB

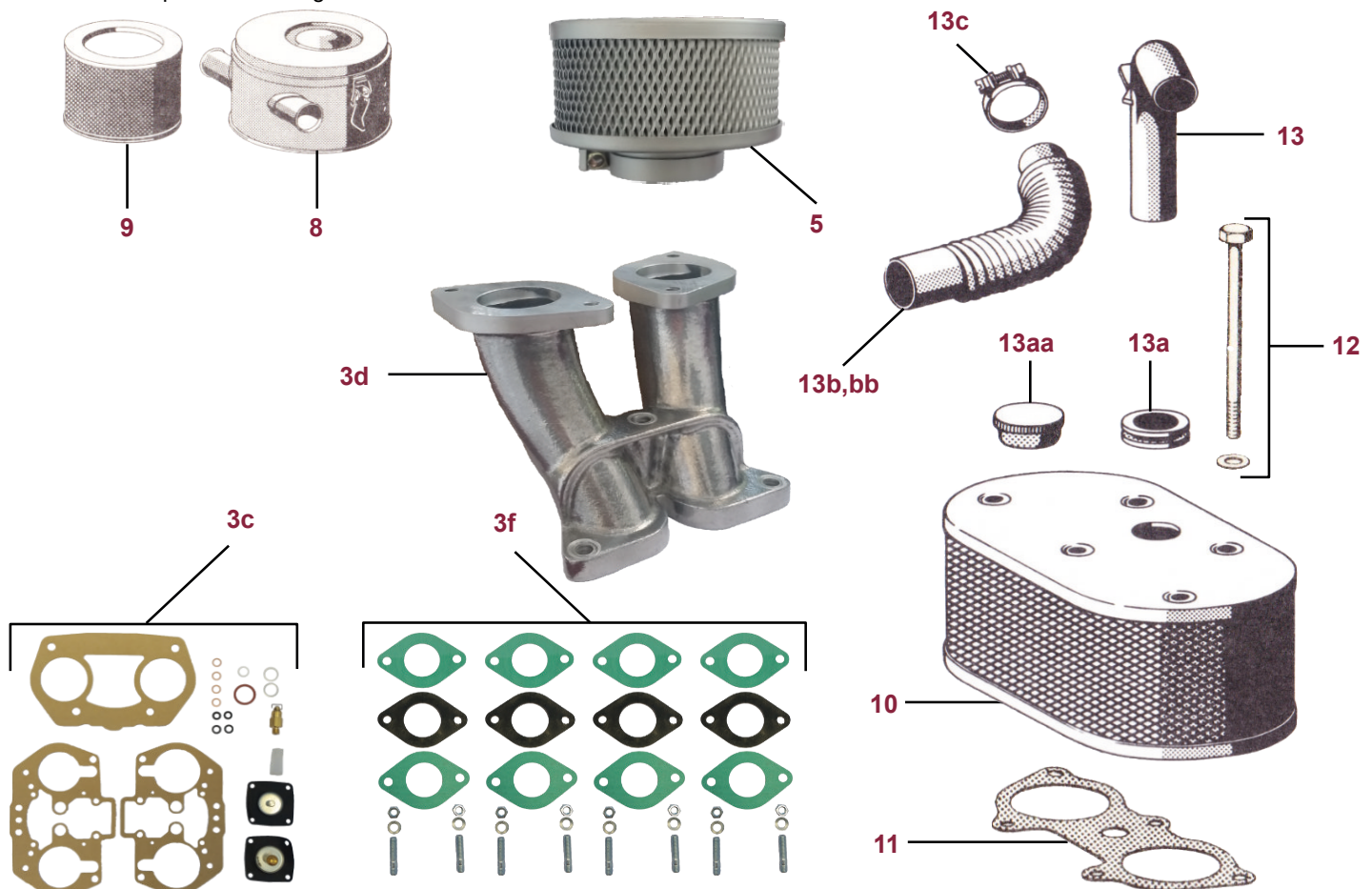




4303ca	gasket for carburetor flange, „Weber“ 40 DCM	692 108 901 00	type 692/3
4308b	carburetor flange for „Weber“ type 46/48, aluminium	CLP 108 903 00	Carrera, 904 GTS
4308c	gasket set for intake manifold	587 108 031 00	Carrera
4309b	intake manifold set for „Solex“ carburetor, type 587	692 108 315 00	Carrera 2
4309bb	clamp for manifold, „Solex“	CLP 108 033/034 00	Carrera
4309c	intake manifold set, for „Weber“ type 46/48	692 108 903 00	Carrera, 904 GTS
4309d	gasket set for intake manifold, type 692 / 587	692 108 301 11	Carrera
4309e	intake manifold set for „Weber“ 40 DCM, with gaskets	692 108 055 01	Carrera, Spyder
4310h	fuel line between carburetors, mounted on fan housing	587 108 052 00	Carrera, 904
4311	bell crank	616 08 011	356 A - C
4311a	bell crank, specify engine	CLP 108 061 00	Carrera
4311aa	bearing arm for bell crank	616 108 756 00	356 B T6/C, 912
4311b	bearing arm for „Solex“ 40 PII-4, left	587 108 751 00	Carrera
4311c	bearing arm for „Solex“ 40 PII-4, right	587 108 074 00	Carrera
4311d	bearing arm for „Weber“ 46/48, left	587 108 753 01	Carrera
4311e	bearing arm for „Weber“ 46/48, right	587 108 078 01	Carrera
4312	rod, rear of fan housing	616 108 620 00	all 356
4313	rod to carburetor, zinc plated, without ball sockets, 2 required	616 08 012	all 356
4314	pivot ball for bell crank	999 167 012 02	all 356
4315	ball socket for bell crank, right hand thread, zinc plated	900 169 001 02	all 356
4316	ball socket for bell crank, left hand thread, zinc plated	900 169 010 02	all 356
4317	bell crank, rear of fan housing	616 108 071 00	all 356
4317a	angel lever	369 08 107	Solex 32 PJB
4317b	angel lever	527 08 101	Solex 40 PJB
4318	rod nut, right hand thread	900 076 006 02	all 356
4318a	rod nut, left hand thread	900 076 029 02	all 356
4319	pivot ball for bell crank	CLP 167 022 02	all 356
4320	bushing for bell crank on gearbox, plastic, 2 required	914 423 211 00	356 B/C
4320a	bushing for bell crank on gearbox, bronze, 2 required	CLP 423 211 00	356 B/C
4321	repair kit for bell crank on gearbox	CLP 423 020 8M	356 - A
4322	repair kit for bell crank on gearbox	CLP 423 020 3M	356 B/C



4401	carburetor set, „Solex“ 40 PII-4, split shaft type	616 108 103/104 06	Super 90, SC, 912
4401a	carburetor set, „Solex“ 40 PII-4, single shaft type, only in exchange		Super 90, SC, 912
4402a	velocity stacks for „Solex“ 40, P II-4	616 08 315	Carrera
4403	carburetor set, „Weber“ 40 IDF 70, with intake manifold and gaskets, without air cleaner		356 A - C
4403a	air cleaner for „Weber“ 40 or 44 IDF 70		356 A - C
4403b	carburetor set, „Weber“ 44 IDF 70, with intake manifold and gaskets, without air cleaner		356 A - C
4403c	gasket set for „Weber“ 40 IDF		356 A - C
4403d	manifold pair for „Weber“ 40 IDF		356 A - C
4403e	gasket for carburetor flange „Weber“ 40 IDA and 40 IDF		356 A - C
4403f	insulator block between carburetor and manifold, „Weber“ 44 IDF, set for one engine, with gaskets and bolts		356 A - C
4403g	spring for „Weber“ 40 IDF 70		356 A - C
4403h	insulator block for „Weber“ 40 IDF		356 A - C
4404	carburetor set „Weber“ 48 IDA 4R 3 bypasses	CLP 108 107/108 01	Carrera, 904
4404a	throttle lever set, left and right, „Weber“ 46/48	587 108 017/018 01	Carrera, 904
4404b	aircleaner for „Weber“ 48 IDA		Carrera, 904
4405	aircleaner for „Solex“ 32	616 08 108	356 - A
4408	intake muffler, black, used, for „Zenith“ 32 NDIX	616 108 205 00	356 B T6/C
4408a	wet aircleaner set „Knecht“ for „Solex“ 40 PBIC and „Zenith“ 32 NDIX, pair for left and right	527 08 801	356 A/B
4409	cartridge for canister type aircleaner „Zenith“ 32 NDIX	616 08 811 1	356 B T6/C
4409a	decals for intake muffler housing	CLP 701 002 00	356 B T6/C
4410	wet aircleaner „Knecht“, for „Solex“ 40 PII-4	616 108 203 01	Super 90, SC, 912
4410a	wet aircleaner, aluminium version, with gaskets and hardware, „Solex“ 40 P II-4	CLP 108 203 01	Super 90, SC, 912
4411	gasket for aircleaner „Solex“ 40 P II-4	616 108 291 00	Super 90, SC, 912
4412	screw set for „Solex“ 40 P II-4 (10 pieces), zinc plated	N 010 354 1	Super 90, SC, 912
4413	connecting tube for aircleaner, right	616 107 075 01	356 SC, 912
4413a	grommet for connecting tube	999 702 101 50	356 SC, 912
4413aa	plug for aircleaner, left, „Solex“ 40 PII-4	616 108 938 00	356 SC, 912
4413b	connecting hose between breather and aircleaner, right	616 107 795 00	356 SC
4413bb	connecting hose between breather and aircleaner, right, 210 mm	616 107 795 01	912
4413c	clamp for connecting hose	999 512 045 02	356 SC

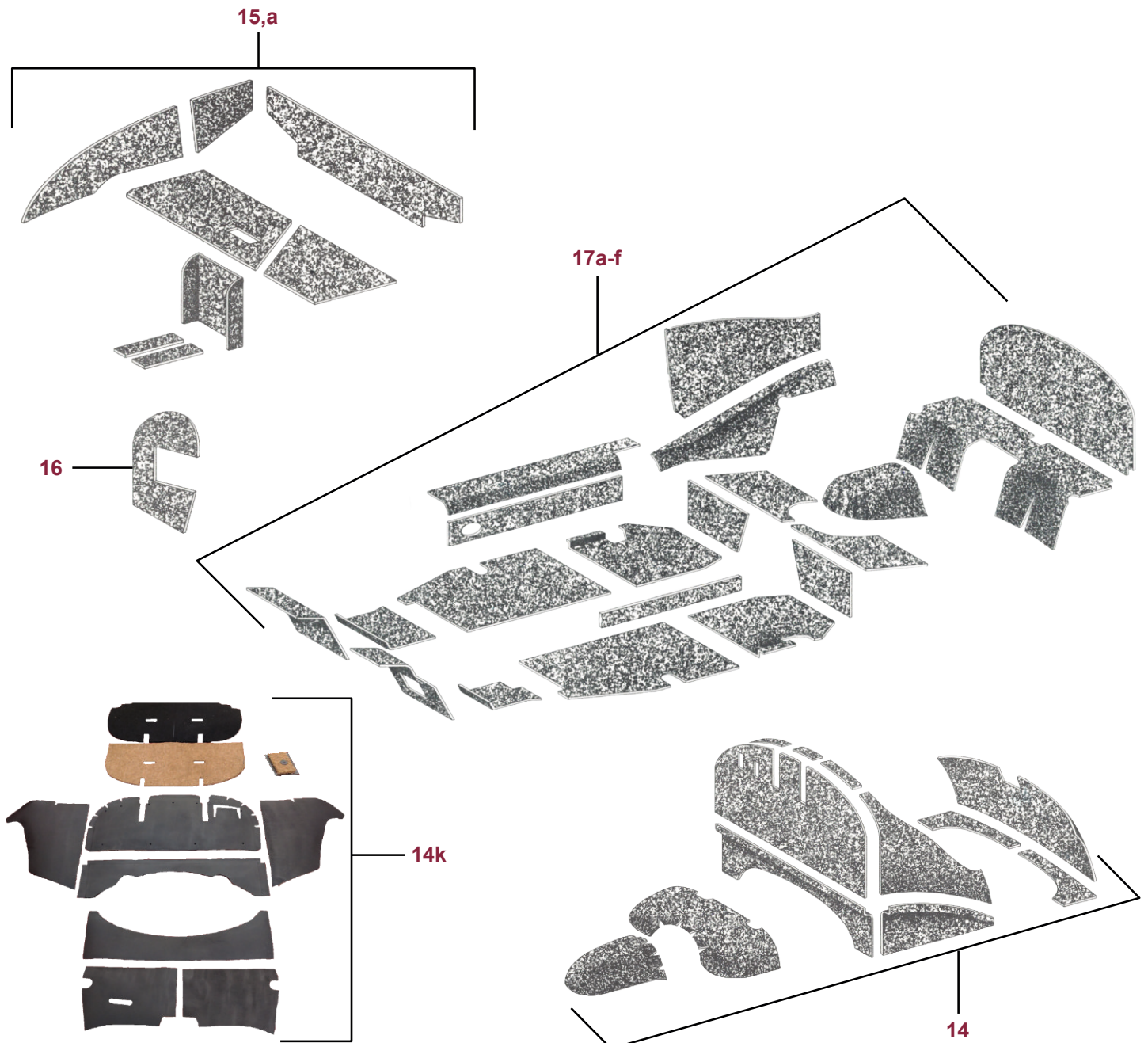


- 4414a interior for engine compartment, vinyl, gray
- 4414c tar mats for engine compartment, like original, as required
- 4414d sound deadener for engine compartment \*
- 4414e sound deadener for engine compartment \* only for „Reutter“
- 4414f sound deadener for engine compartment \*
  
- 4414g nail set for rear wall lining, set of 11 pieces
- 4414k sound deadener for engine compartment \* nur für „Karmann“
- 4415 sound deadener for trunk
- 4415a sound deadener for trunk
- 4415b sound deadener for top of fuel tank
- 4416 sound deadener for front closing panels, pair for left and right
- 4417a sound deadener for interior body \*
- 4417b sound deadener for interior body \*
- 4417c sound deadener for interior body \*
- 4417d sound deadener for interior body \*
- 4417e sound deadener for interior body \*
- 4417f sound deadener for interior body \*

- CLP 551 981 02
- CLP 551 981 06
- CLP 551 981 07
  
- CLP 555 075 XX
- CLP 551 981 08
- CLP 556 400 00
- CLP 556 300 00
- CLP 556 100 00
- CLP 556 211 00
- CLP 556 500 00
- CLP 556 530 00
- CLP 556 510 00
- CLP 556 540 00
- CLP 556 520 00
- CLP 556 550 00

- 356 pre A
- 356 Carrera
- 356 A/B T5 Coupe
- 356 B T6/C Coupe
- 356 A - C Cabriolet, Hardtop Coupe all 356
- 356 B T6/C Coupe
- 356 A - B T5
- 356 B T6/C
- 356 B T6/C
- 356 A - C
- 356 A Coupe
- 356 A Cabriolet
- 356 B T5 Coupe
- 356 B T5 Cabrio
- 356 B T6/C Coupe
- 356 B T6/C Cabrio

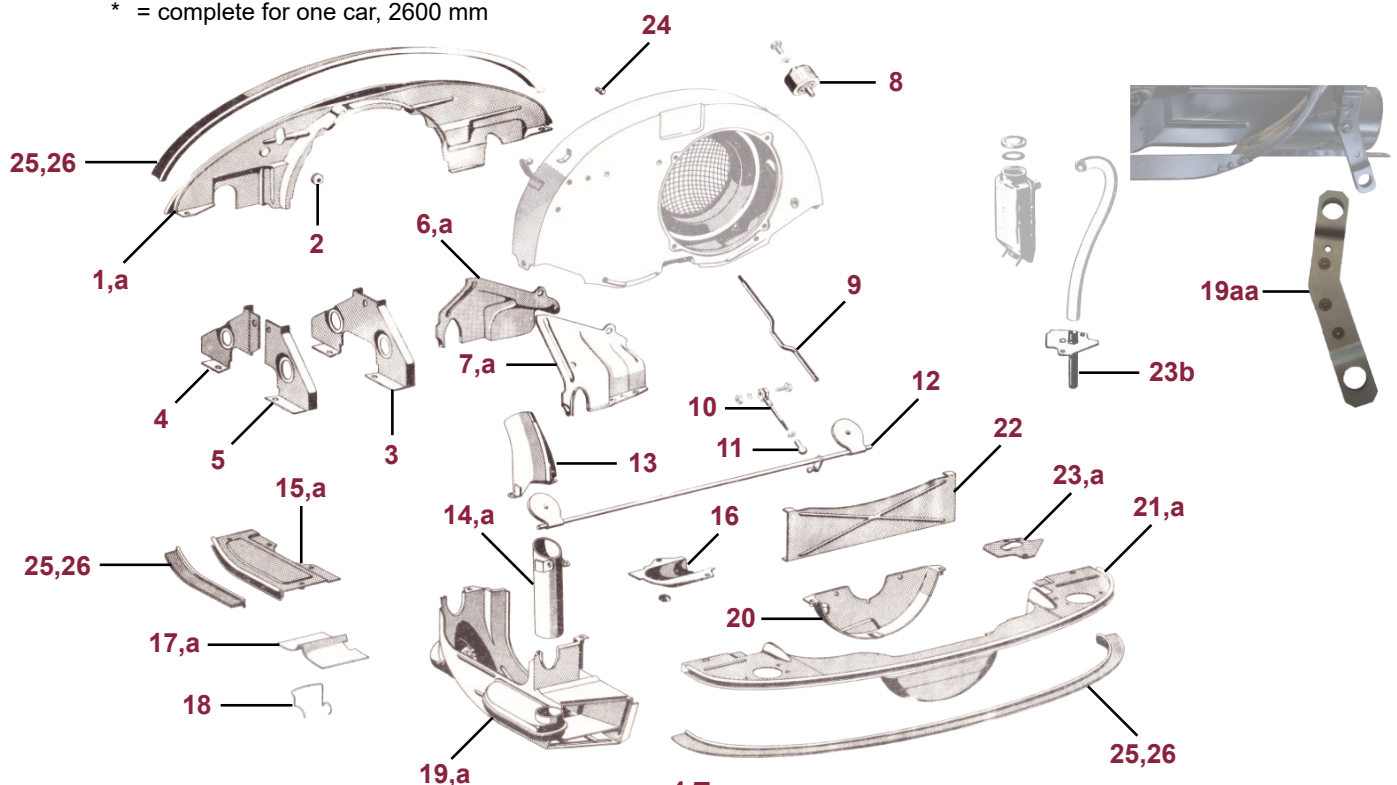
\* = complete set, with installation instruction, nearly like original





4501	cover plate, engine front, flywheel end, US-heating system (old)	369 06 119	all 356
4501a	cover plate, engine front, flywheel end, european heating system (new)	616 106 082 00	356 B T6/C
4502	grommet for cover plate	539 06 605	all 356
4503	side cover, for „Zenith“ carburator, 2 required	539 06 547	all 356
4504	side cover, for „Solex“ 40 P II carburators, 2 required	539 06 555	356 B/C
4505	side cover, for „Solex“ 40 P II carburators, 2 required	539 05 556	356 B/C
4506	cover plate for cylinder, front right	539 06 638	all 356
4506a	cover plate for cylinder, front left	539 06 637	all 356
4507	cover plate for cylinder, rear right	539 06 640	all 356
4507a	cover plate for cylinder, rear left	539 06 639	all 356
4508	thermostat for carburator pre heating, 23-34 °C	546 06 590	all 356
4509	upper connection rod for thermostat, zinc plated	546 06 591	all 356
4510	below connection rod for thermostat, without ball socket	546 06 069	all 356
4511	ball socket for below connection rod, zinc plated	900 169 001 02	all 356
4512	operating shaft with flaps for pre heating	546 06 065	all 356
4513	air duct for carburator pre heating, 2 required	546 06 062	all 356
4514	air guide tube, left	546 06 063	all 356
4514a	air guide tube, right	546 06 064	all 356
4515	side cover, left	369 06 141	all 356
4515a	side cover, right	369 06 140	all 356
4516	cover plate for fuel pump	616 106 831 00	all 356
4517	deflector plate, left	506 06 105	all 356
4517a	deflector plate, right	506 06 106	all 356
4518	retaining spring for deflector plate	506 06 108	all 356
4519	flapper box, with 2 flaps, left	616 106 041 00	Super 90, SC
4519a	flapper box, with 2 flaps, right	616 106 042 00	Super 90, SC
4519aa	lever for flapper box, left or right	CLP 106 041 xx	Super 90, SC
4520	cover plate below pulley	616 106 083 00	356 B/C
4521	cover plate, rear, engine to body, US-heating system (old)	546 06 562	all 356
4521a	cover plate, rear, engine to body, european heating system (new)	616 106 085 01	356 B T6/C
4522	bottom flange cover	539 06 526	all 356
4523	oil breather access cover plate, early type	539 06 645	all 356
4523a	oil breather access cover plate, late type	616 106 645 00	356 B T6/C
4523b	cover plate with stud	616 106 066 00	356 B T6/C
4524	rubber plug for fan housing	539 06 116	all 356
4525	engine ducting seal, US-heating system (old) *	CLP 369 001 00	all 356
4526	engine ducting seal, european heating system (new) *	CLP 369 003 00	356 B T6/C
4527	guide rail for engine ducting seal, set for one engine		all 356

\* = complete for one car, 2600 mm

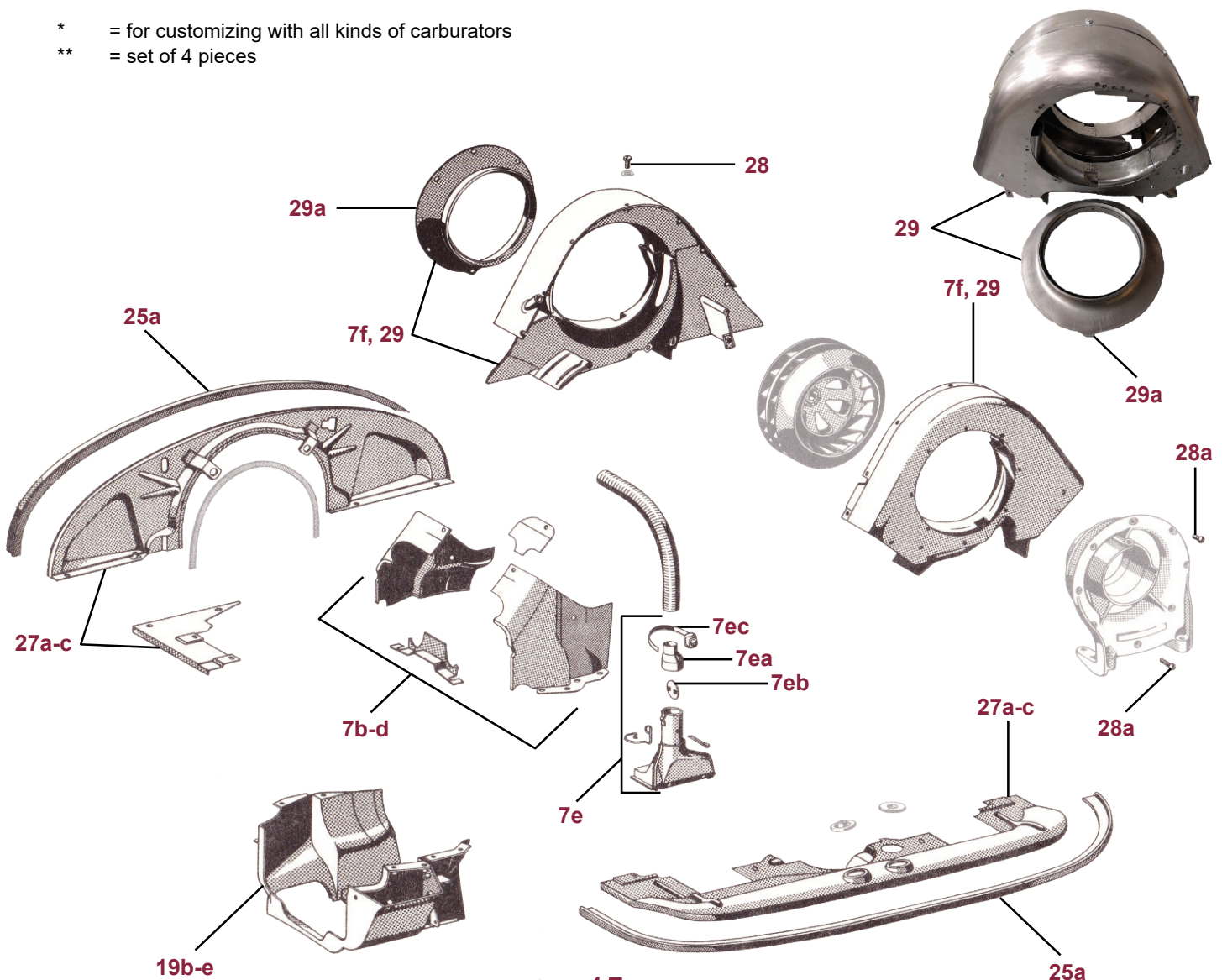


## Carrera

4507b	set of upper air channels, 8 pieces, type 547/692 *	CLP 106 035 00 036/037/038	Carrera1500/1600
4507c	set of upper air channels, 8 pieces, type 587/1,2 *	CLP 106 033 00 034/035/036	356 B/C Carrera 2 GS
4507d	set of upper air channels, 8 pieces, type 587/3 *	CLP 106 033 034/035/36 01/02	Carrera 2 GT, 904
4507e	connecting piece set for carburator heating, left and right, type 692/587	692 106 083/084 00	Carrera 1600/2000
4507ea	reducing nipple	692 106 880 00	Carrera
4507eb	flap for carburator heating	692 106 873 01	Carrera
4507ec	clamping strap for carburator heating	999 512 020 02	Carrera
4507f	blower housing, complete with fan intake ring, type 547	692 106 015 016 10, 547 06 012	Carrera 1500
4519b	set of lower air channels, type 692	692 106 041/042 01	Carrera 1600
4519c	set of lower air channels, type 587/3 **	587 106 041/042 01 045/046 00	904 GTS
4519d	set of lower air channels, type 587/1 a. 2	587 106 041/042 00	B/C Carrera 2
4519e	set of lower air channels, type 547, only for Spyder	550 06 333/334	550 RS Spyder
4525a	engine ducting seal, complete for one engine	547 06 306/308	Carrera
4527a	horizontal engine valance, type 587 **	587 106 081 02	Carrera 2
4527b	horizontal engine valance, type 692 (plain bearing) **	692 106 081 02	Carrera 1600
4527c	horizontal engine valance, type 547/692 (roller bearing) **	547 06 301/310/311/312	Carrera 1500
4528	screw for engine valance, 55 required	900 015 013 02	Carrera
4528a	screw set for generator stand, set of 8 pieces	900 016 012/013 02	Carrera
4529	blower housing, complete with fan intake ring, type 692/587	692 106 015/016 00 547 06 012	Carrera, 904
4529a	fan intake ring, not pre drilled	547 06 012	Carrera

\* = for customizing with all kinds of carburators

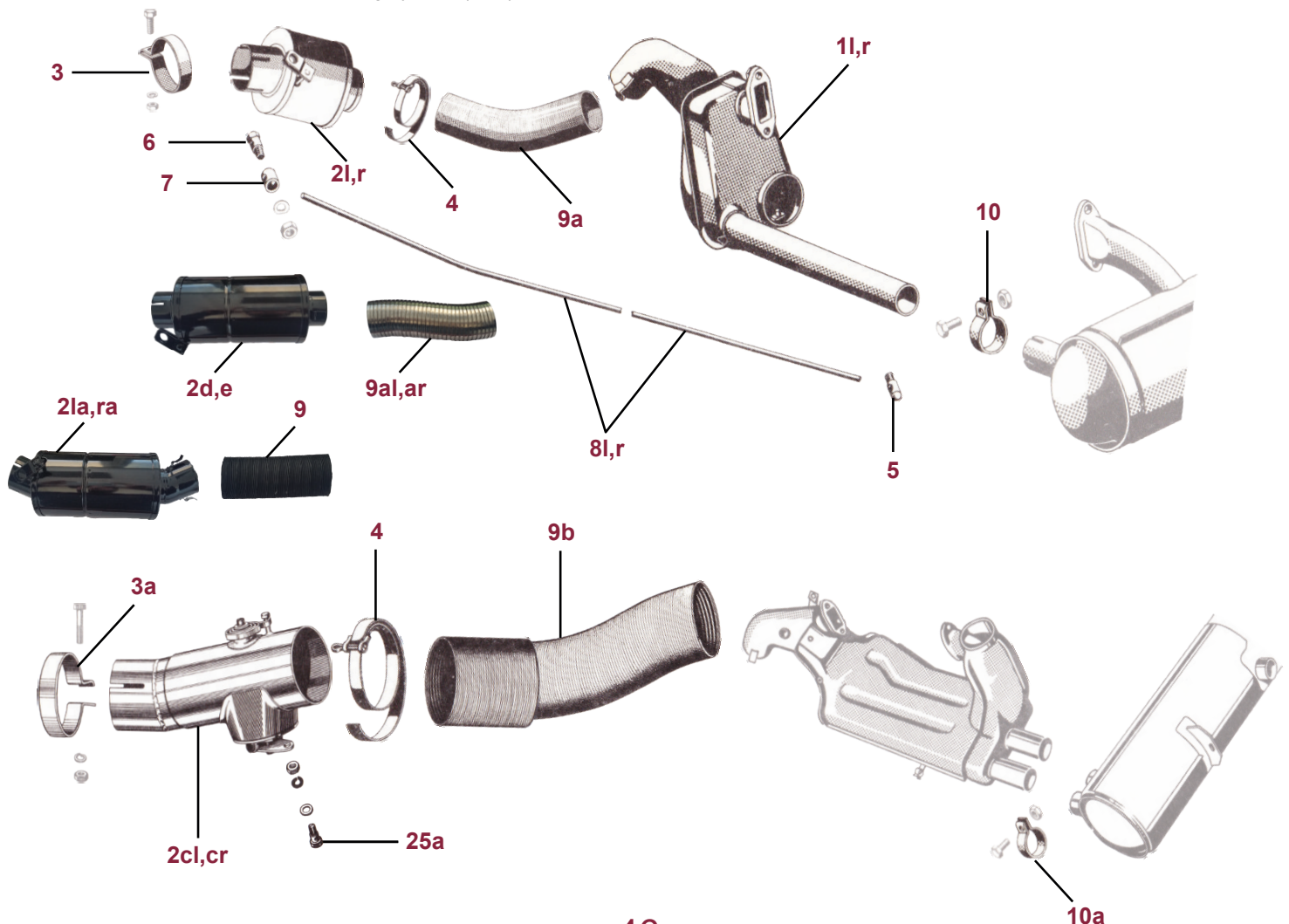
\*\* = set of 4 pieces



4601l	heat exchanger, left, OEM *	644 211 003 00	all 356
4601r	heat exchanger, right, OEM *	644 211 004 00	all 356
4602a	heat valve elbow	644 501 289 01	356 B T6/C
4602cl	heat control, left **	644 211 007 07	356 B T6/C
4602cr	heat control, right **	644 211 008 07	356 B T6/C
4602d	heat valve, left	356 55 015	356 pre A
4602e	heat valve, right	356 55 016	356 pre A
4602l	heat valve, left *	644 211 025 05	356 B/C
4602la	heat valve, left	644 211 021 00	356 A
4602r	heat valve, right *	644 211 026 05	356 B/C
4602ra	heat valve, right	644 211 022 00	356 A
4603	clamp, between heat valve and body *	644 211 251 00	356 A - C
4603a	clamp, between heat valve and body **	644 211 251 07	356 B T6/C
4604	metal strap with key, 4 required	999 512 104 02	all 356
4605	screw for heating control with nut and washer, 4 required *	644 211 755 01	all 356
4606	screw for heating control with nut and washer, 2 required *	644 211 755 01	all 356
4607	bushing for heating control, zinc plated, 6 required *	644 211 751 00	all 356
4608l	control rod for heater valve, stainless steel, left *	644 211 701 00	all 356
4608r	control rod for heater valve, stainless steel, right *	644 211 702 00	all 356
4609	heater hose for valve	644 211 921 00	356 A
4609a	heater hose for valve *	644 211 921 05	356 B T6/C
4609al	heater hose for valve, metal, left	644 55 120 2	356 pre A
4609ar	heater hose for valve, metal, right	644 55 119 2	356 pre A
4609b	heater hose for heat exchanger **	644 211 921 07	356 B T6/C
4610	clamp between muffler and heat valve *	369 54 109	all 356
4610a	clamp between muffler and heat exchanger **	999 511 039 03	356 B T6/C
4625a	clamping bolt M4 for bowden control cable **	644 572 683 06 or 644 24 509	356 B T6/C

\* = US-heating system (old)

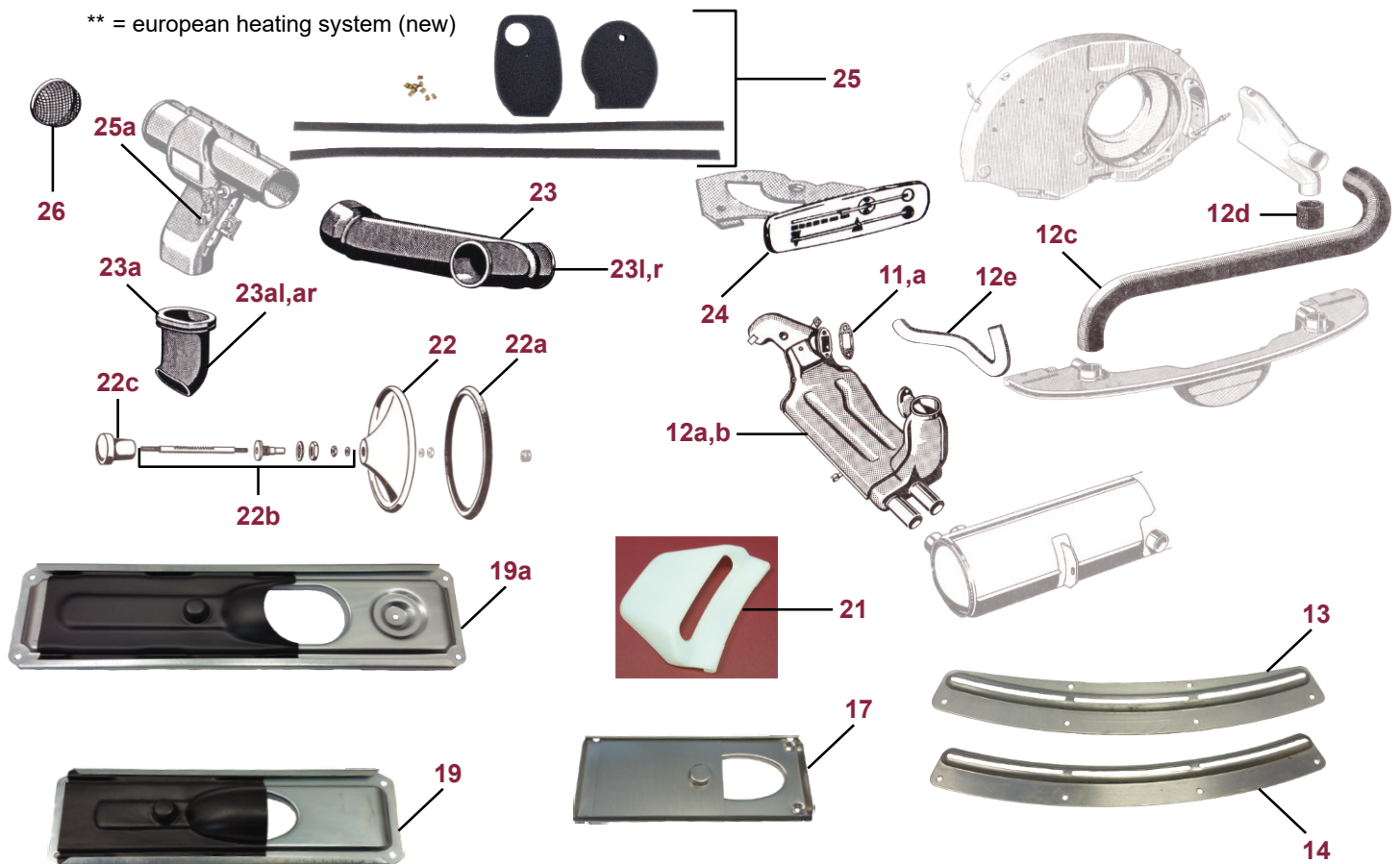
\*\* = european heating system (new)





4611	gasket for exhaust, „Reinz“,OEM, 4 required	616 111 291 00	all 356
4611a	gasket for exhaust, NOS, 4 required	616 111 291 00 NOS	all 356
4612a	heat exchanger, left **	616 211 021 00	356 B T6/C
4612b	heat exchanger, right **	616 211 022 00	356 B T6/C
4612c	hose between fan housing and heat exchanger **	616 211 295 00	356 B T6/C
4612d	hose between fan housing and heat exchanger **	616 211 296 00	356 B T6/C
4612e	connecting hose for carburator preheating **	616 107 791 00	356 B T6/C
4613	cover for defroster vent, aluminium	644 552 411 40	Speedster
4614	cover for defroster vent, aluminium	644 552 411 45	Convertible D/Roadster
4615	screw set for defroster vent cover, for 2 covers	CLP 552 001 40	Speedster
4616	screw set for defroster vent cover, for 2 covers	CLP 552 001 45	Convertible D/Roadster
4617	heater slide, left or right	644 572 075 00	356 - A
4618	screw set for heater slide, left or right	CLP 572 076 00	356 - A
4619	heater slide with black plastic slider, 215 mm, left or right	644 572 710 03	356 B T5 and early B T6
4619a	heater slide with black plastic slider, 284 mm, left or right	644 572 710 00	356 B T6/C
4620	screw set for heater slide, set for one slide	CLP 572 077 00	356 B/C
4621	cover for rear defroster nozzle	644 572 443 06	356 C Coupe
4621a	hose for rear defroster nozzle	644 572 911 07	356 C Coupe
4622	plate for fresh air valve	644 571 111 00	356 A, optional 356 B
4622a	rubber ring for fresh air valve	644 571 191 00	356 A, optional 356 B
4622b	complete rod with tan knob for fresh air valve	644 571 015 01	356 A, optional 356 B
4622c	knob for fresh air valve, tan or black	644 552 811 00	356 A, optional 356 B
4623	rubber hose T-piece under dash board, pair for left and right	644 572 693/694 06	356 B T6/C
4623l	rubber hose T-piece under dash board, left	644 572 693 06	356 B T6/C
4623r	rubber hose T-piece under dash board, right	644 572 694 06	356 B T6/C
4623a	rubber sleeve for fresh air duct in passenger compartment, pair for left and right	644 572 691/692 06	356 B T6/C
4623al	rubber sleeve for fresh air duct in passenger compartment, left	644 572 691 06	356 B T6/C
4623ar	rubber sleeve for fresh air duct in passenger compartment, right	644 572 692 06	356 B T6/C
4624	switch housing for ventilation, chrome plated	CLP 571 802 07	356 C
4625	repair set for fresh air duct, with 12 tubular rivets	CLP 572 064 06	356 B T6/C
4625a	clamping bolt M4 for bowden control cable on fresh air vent	644 572 683 06	356 B T6/C
		644 24 509	
4626	screen for fresh air duct, left or right	644 572 673 06	356 B T6/C

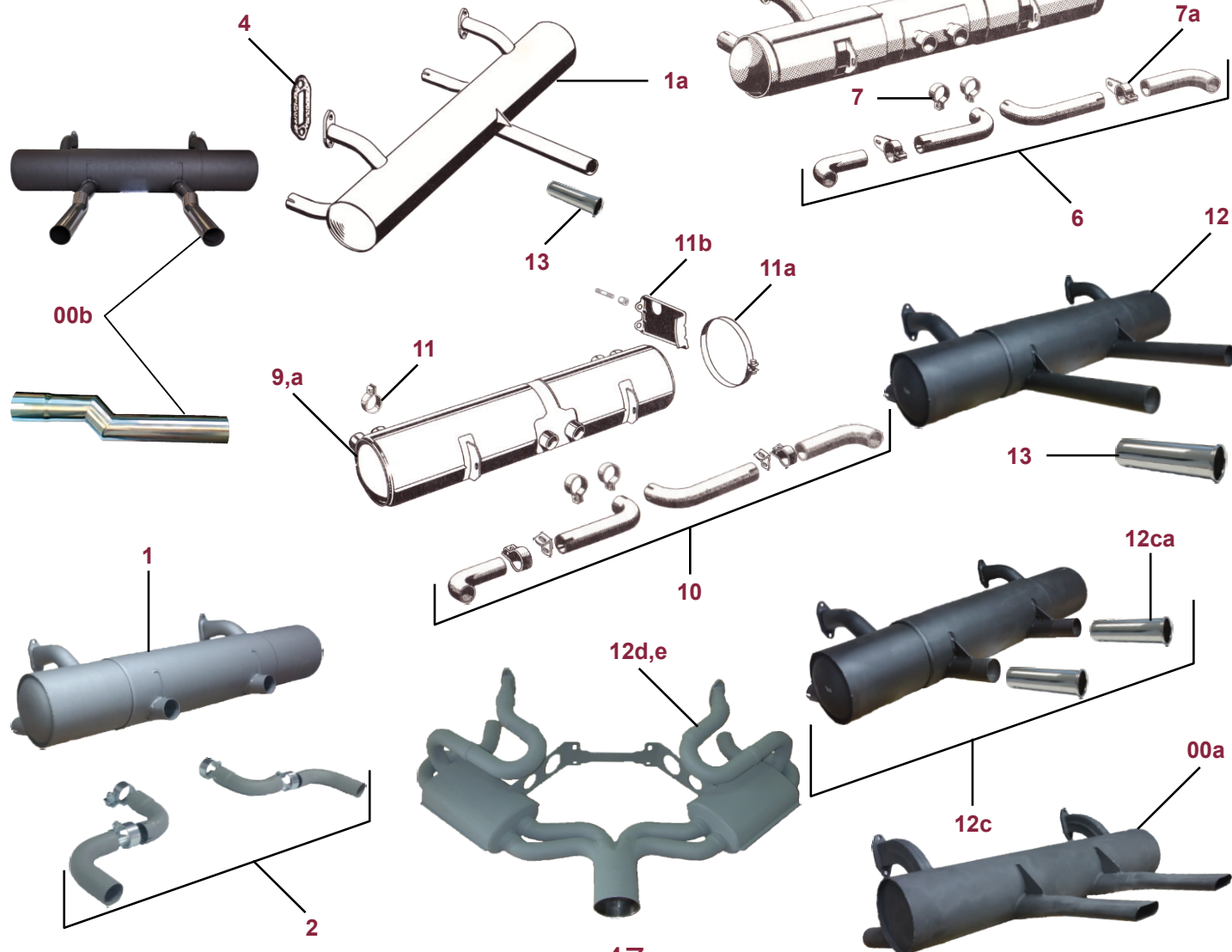
\*\* = european heating system (new)



- 4700 exhaust, 1 pipe, for type 369/506
- 4700a exhaust, 2 pipes, for type 527/546
- 4700b special angled tube for 4701 and 1a
- 4701 exhaust
- 4701a exhaust, 1 pipe
- 4702 tail pipe kit, with clamps and hardware
- 4704 gasket, for exhaust, „Reinz“, OEM, 4 required
- 4705 exhaust \*
- 4705a exhaust, made in Germany \*
- 4705aa exhaust, made in Germany, same length of tubes \*
- 4706 tail pipe kit, with clamps and hardware, zinc plated
- 4707 clamp, between exhaust and pipe, zinc plated
- 4707a clamp with fixing eye, between tail pipes
- 4709 exhaust, „Leistriz“, NOS \*\*
- 4709a exhaust, reproduction \*\*
- 4710 tail pipe kit, with clamps and hardware, zinc plated \*\*
- 4711 clamp between exhaust and heat exchanger, 4 required
- 4711a strap for exhhast, zinc plated, 2 required \*\*
- 4711b support for exhaust, 2 required \*\*
- 4712 sport exhaust, looks like Carrera 2 \*
- 4712c sport exhaust, better sound, looks like Carrera 2 \*
- 4712ca chrome tip for exhaust 4712c, single one
- 4712d exhaust „Sebring“, made in Germany, with TÜV certification
- 4712e exhaust „Sebring“, made in Germany, with TÜV certification \*
- 4713 chrome tip for exhaust 4701a and 4712, single one

- 369 54 001
- 527 54 101
- 616 111 010 00
- 616 54 102
- CLP 111 005 00
- 616 111 291 00
- CLP 111 010 05
- 616 111 010 05
- 616 111 010 05
- CLP 111 006 00
- 616 111 255 01
- 616 111 025 00
- 616 111 016 05
- CLP 111 016 05
- CLP 111 007 00
- 999 511 039 03
- 999 512 034 02
- 616 111 503 01
- 616 54 103
- 546 54 101
- 356 - A T1
- 356 pre A
- 356 pre A
- 356 A T1 - early A T2
- 356 A T1
- 356 A T1 - early A T2
- all 356
- late 356 A T2 - C
- late 356 A T2 - C
- late 356 A T2 - C
- late 356 A T2 - C
- all 356
- late 356 A T2 - C
- 356 B T6/C
- 356 B T6/C
- 356 B T6/C
- 356 B T6/C
- 356 B T6/C
- 356 B T6/C
- all 356
- all 356
- 356 A
- 356 B/C
- 356 A - C

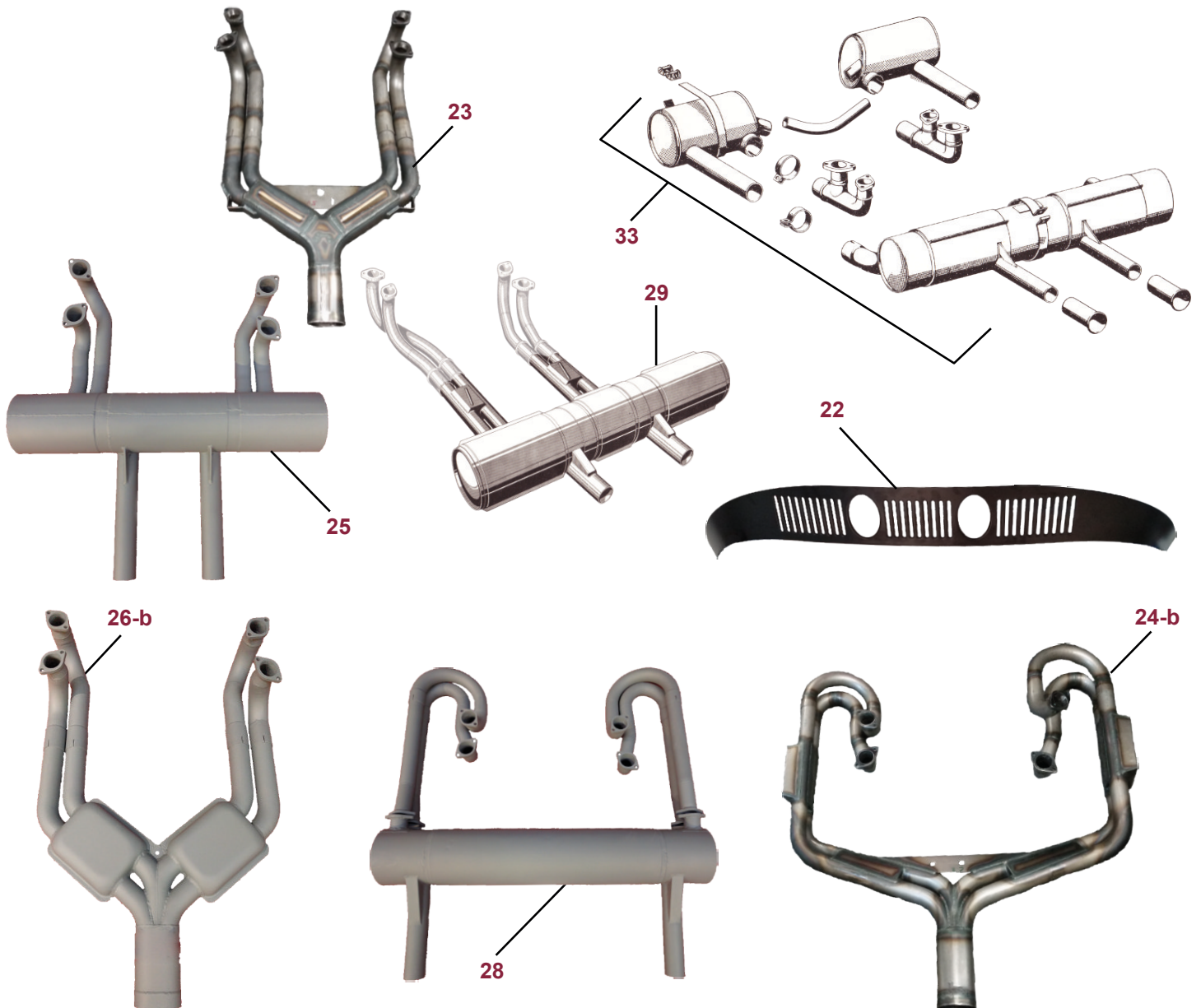
\* = US-heating system (old)  
 \*\* = european heating system (new)



## Carrera

- 4717 exhaust, complete with heat exchanger
- 4718 gasket for exhaust, type 587/1
- 4718a gasket for exhaust, type 547 and 692
- 4718b gasket for exhaust, type 587/3
- 4719 chrome tip for exhaust
- 4722 rear valance, also fits with exhaust 4712/4712c
- 4722a vinyl backing for rear valance
- 4722b screw for rear valance, 11 required
- 4723 exhaust „Sebring“
- 4724 exhaust „Sebring“
- 4724a exhaust „Sebring“, looks like Carrera 2 GT but fits for type 692
- 4724b exhaust „Sebring“, looks like Carrera 2 GT but fits for type 692 with 2l engine
- 4724c clamp for exhaust „Sebring“ 4724
- 4725 exhaust, not for type 692 3/A
- 4726 exhaust „Sebring“ big diameter, very thin tubes, low weight
- 4726a exhaust „Sebring“ big diameter, very thin tubes, low weight
- 4726b exhaust „Sebring“ big diameter, very thin tubes, low weight 2l engine but cylinder heads type 692
- 4727 exhaust „Sebring“
- 4728 exhaust I, without pre heater cans, type 692/3/3A
- 4729 exhaust, street version, without headers
- 4730 exhaust, street version
- 4732 special screw for headers
- 4733 exhaust, street version, type 692/2

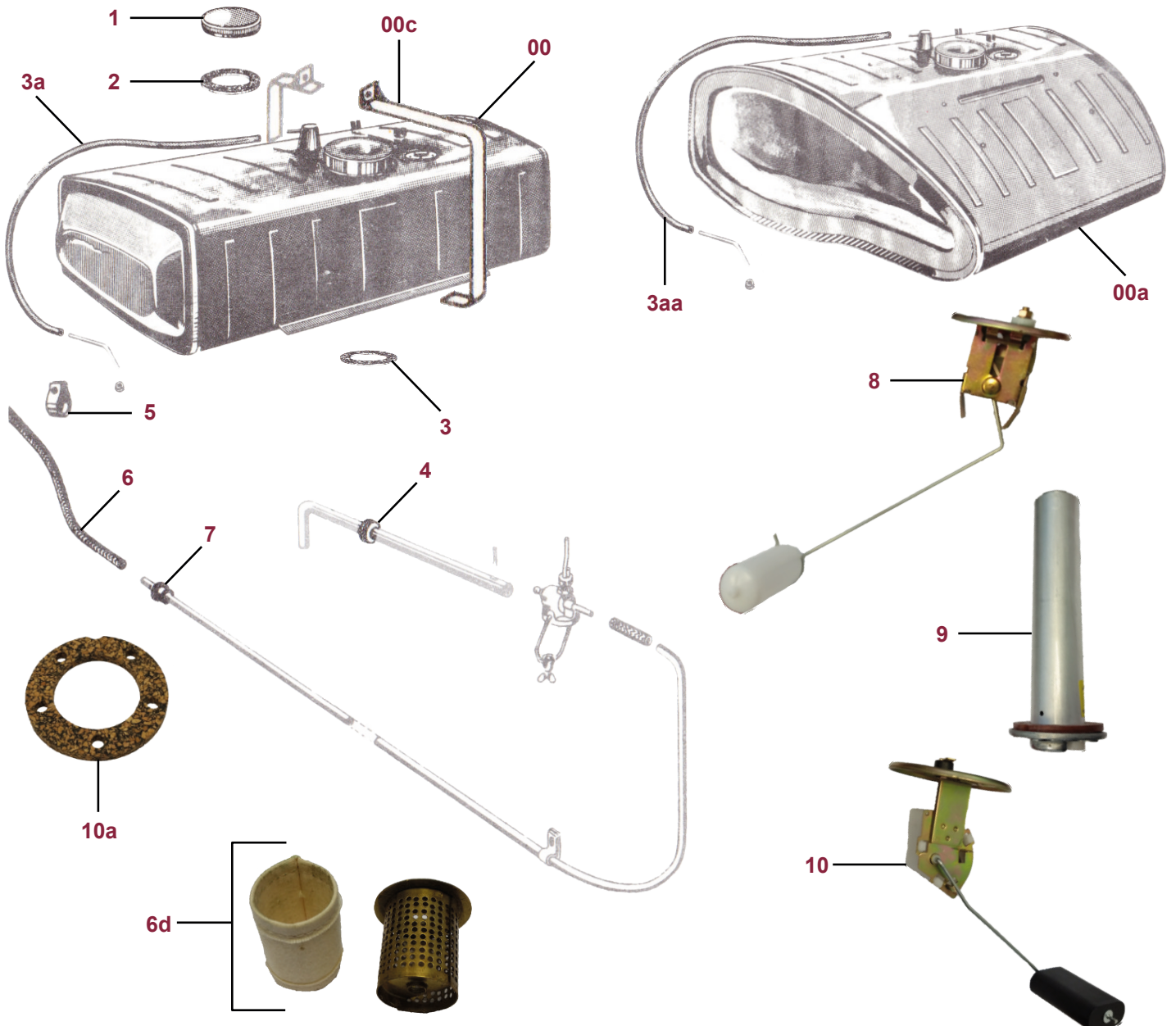
- 547 54 018 Carrera 1500
- 692 111 931 00 Carrera 2
- 547 54 210 Carrera 1500/1600
- 587 111 291 00 904 GTS
- 587 111 261 00 356 B/C Carrera 2
- 644 54 104 356 B/C Carrera 2
- 692 111 014 00 356 B/C Carrera 2
- 587 111 002 00 Carrera 1500/1600
- 900 465 003 03 Carrera 1600
- 587 111 005 00 Carrera 1600
- 692 111 017 00 356 B/C Carrera 2
- 587 111 018 00 356 A Carrera GT, Abarth
- 587 111 001 00 904 GTS
- 999 085 001 02 Carrera 1600
- 692 111 013 00 Carrera 1600





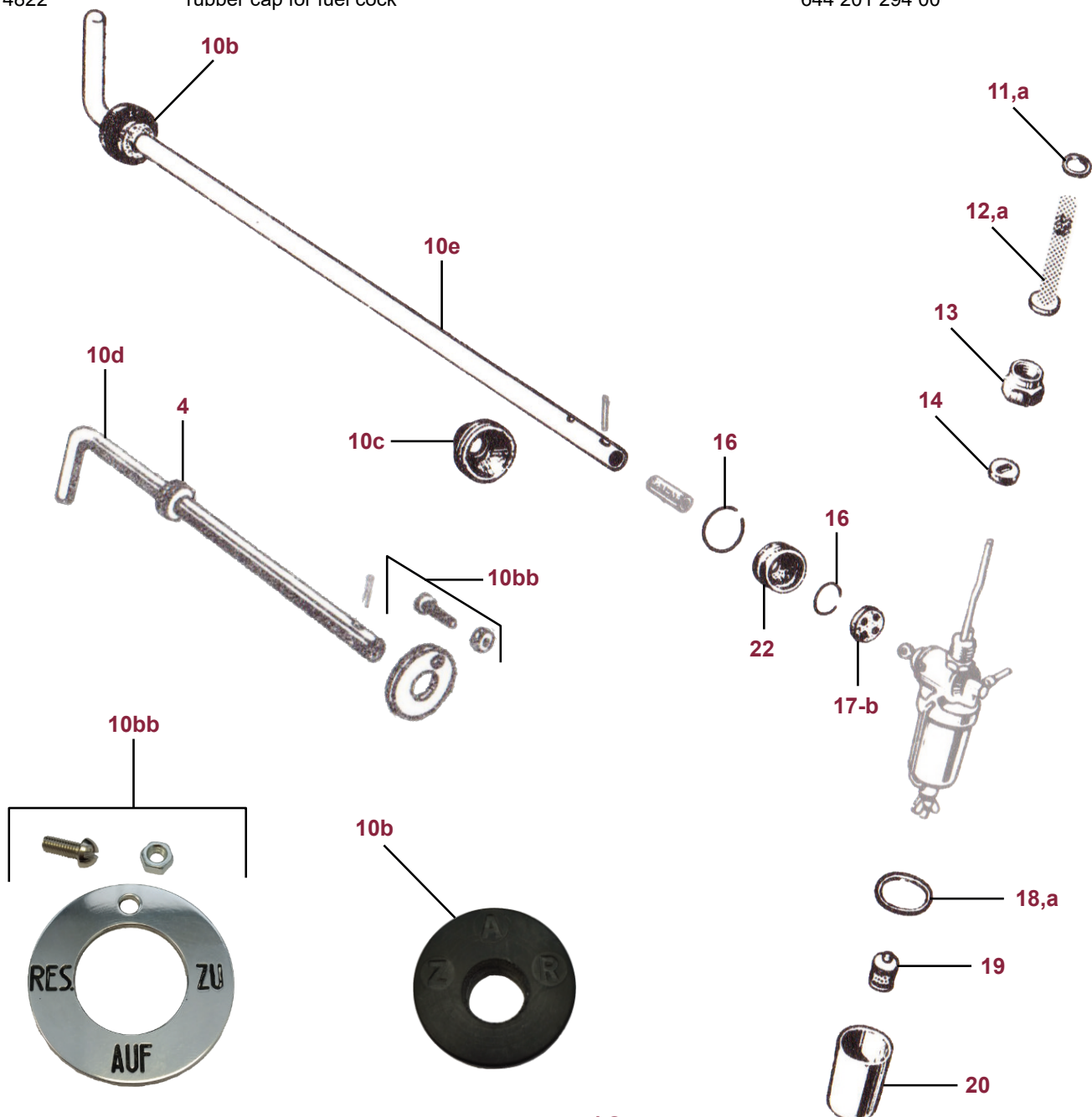
- 4800 fuel tank
- 4800a fuel tank, 80 l GT Version
- 4800c strap for fuel tank, 2 required
- 4801 fuel filler cap, with gasket
- 4801a extension pipe for fuel tank
- 4801b hollow fin for fuel filler cap
- 4801c rain tray, aluminium
- 4802 gasket for fuel filler cap
- 4803 fuel tank drain seal
- 4803a breather hose for tank
- 4803aa breather hose for GT-tank
- 4804 rubber grommet for fuel cock operation rod
- 4805 strap for fuel hose, 100 mm
- 4806 fuel hose, 1,0 m
- 4806a clamp for fuel hose
- 4806aa fuel hose cap, zinc plated
- 4806b fuel filter
- 4806d fuel filter, like original
- 4807 grommet for fuel line exit
- 4808 fuel tank sender, with rubber gasket, reproduction
- 4809 fuel tank sender (cylinder type), mounted from the bottom
- 4810 fuel tank sender, with rubber gasket, reproduction
- 4810a cork gasket for fuel sender

- 644 201 010 00
- 644 201 010 50
- 644 201 031 00
- 644 201 270 00
- CLP 201 021 00
- 644 201 279 00
- 644 504 922 00
- 644 201 611 00
- 644 201 611 10
- 644 025 611 00
- 999 706 001 00
- 999 180 001 00
- 547 08 204
- 539 108 909 00
- 914 356 201 00
- CLP 201 801 00
- 644 201 801 06
- CLP 201 801 07
- 644 201 891 06
- 356 A - B T5
- 356 A - B T5
- 356 - B T5
- 356 - B T5
- Carrera GT
- Carrera GT, 904 GTS
- Carrera GT
- 356 - B T5
- 356 - B T5
- 356 - B T5
- 356 - B T5
- 356 - B T5
- all 356
- all 356
- all 356
- all 356
- all 356
- 356 pre A
- all 356
- late 356 pre A - B T5
- 356 B T6
- 356 B T6/C
- all 356



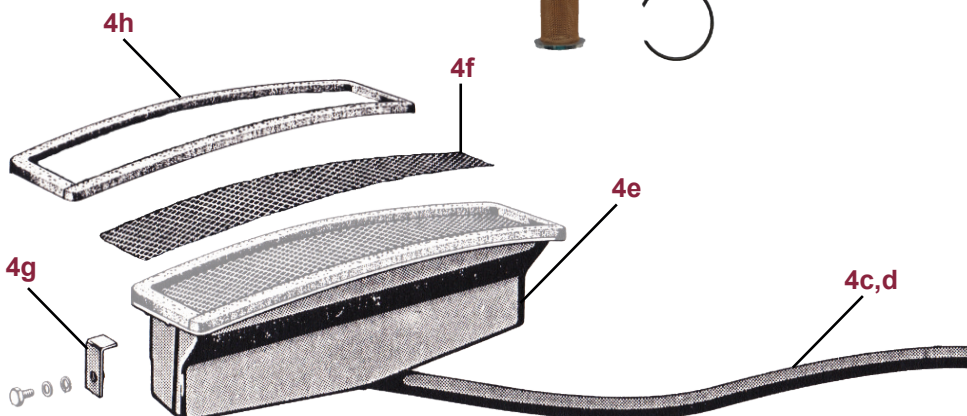
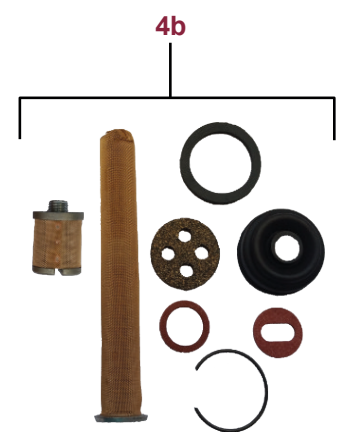
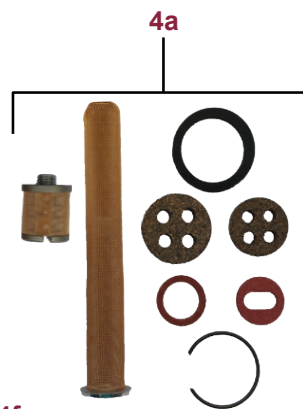
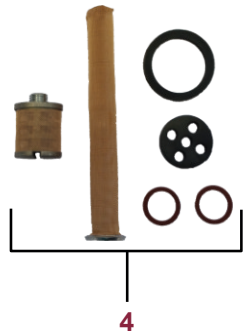
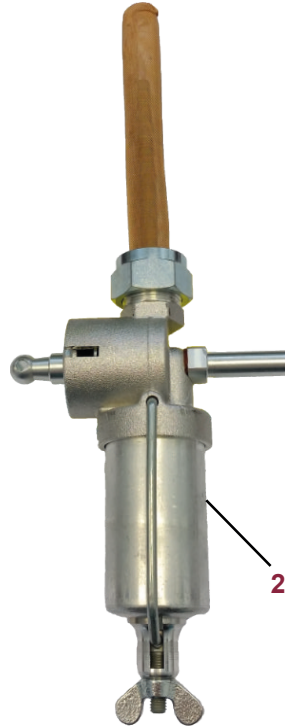
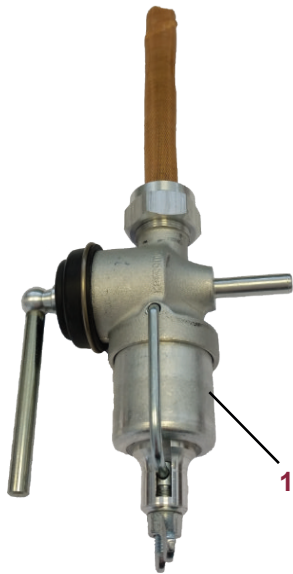
- 4804 rubber grommet for fuel cock operation rod
- 4810b rubber plate for operation rod „Auf/Zu/Reserve“
- 4810bb alu plate for operation rod „Auf/Zu/Reserve“
- 4810c rubber grommet for fuel cock operation rod
- 4810d operation rod for fuel cock
- 4810e operation rod for fuel cock
- 4811 gasket for fuel cock
- 4811a gasket for fuel cock
- 4812 filter screen for fuel cock in tank
- 4812a filter screen for fuel cock in tank
- 4813 nut for fuel cock on tank
- 4814 gasket for fuel cock
- 4816 circlip for fuel cock
- 4817 neopren gasket for fuel cock , 23 mm
- 4817a cork gasket for fuel cock , 26 mm
- 4817b cork gasket for fuel cock , 22 mm
- 4818 gasket for cup
- 4818a gasket for cup
- 4819 inner filter for fuel cock
- 4820 filter cup for fuel cock
- 4822 rubber cap for fuel cock

- 644 025 611 00
- 644 201 261 06
- 644 201 261 01
- 644 201 242 00
- 644 201 241 00
- 644 201 241 06
- 644 201 291 00
- 900 123 005 60
- 644 201 225 00
- 356 56 203
- 644 201 221 00
- 644 201 292 00
- 644 201 217 00
- 356 56 206
- 644 201 293 00
- 644 201 207 00
- 644 201 203 00
- 356 56 208
- 644 201 204 00
- 644 201 205 00
- 644 201 294 00
- 356 - B T5
- 356 B T6/C
- 356 A - B T5
- 356 B T6/C
- 356 A - B T5
- 356 B T6/C
- 356 A - C
- 356 pre A
- 356 A - C
- 356 pre A
- 356 A - C
- 356 A - C
- 356 A - C
- 356 pre A
- 356 B T6/C
- 356 A - B T5
- 356 A - C
- 356 pre A
- 356 A - C
- 356 A - C
- 356 B T6/C



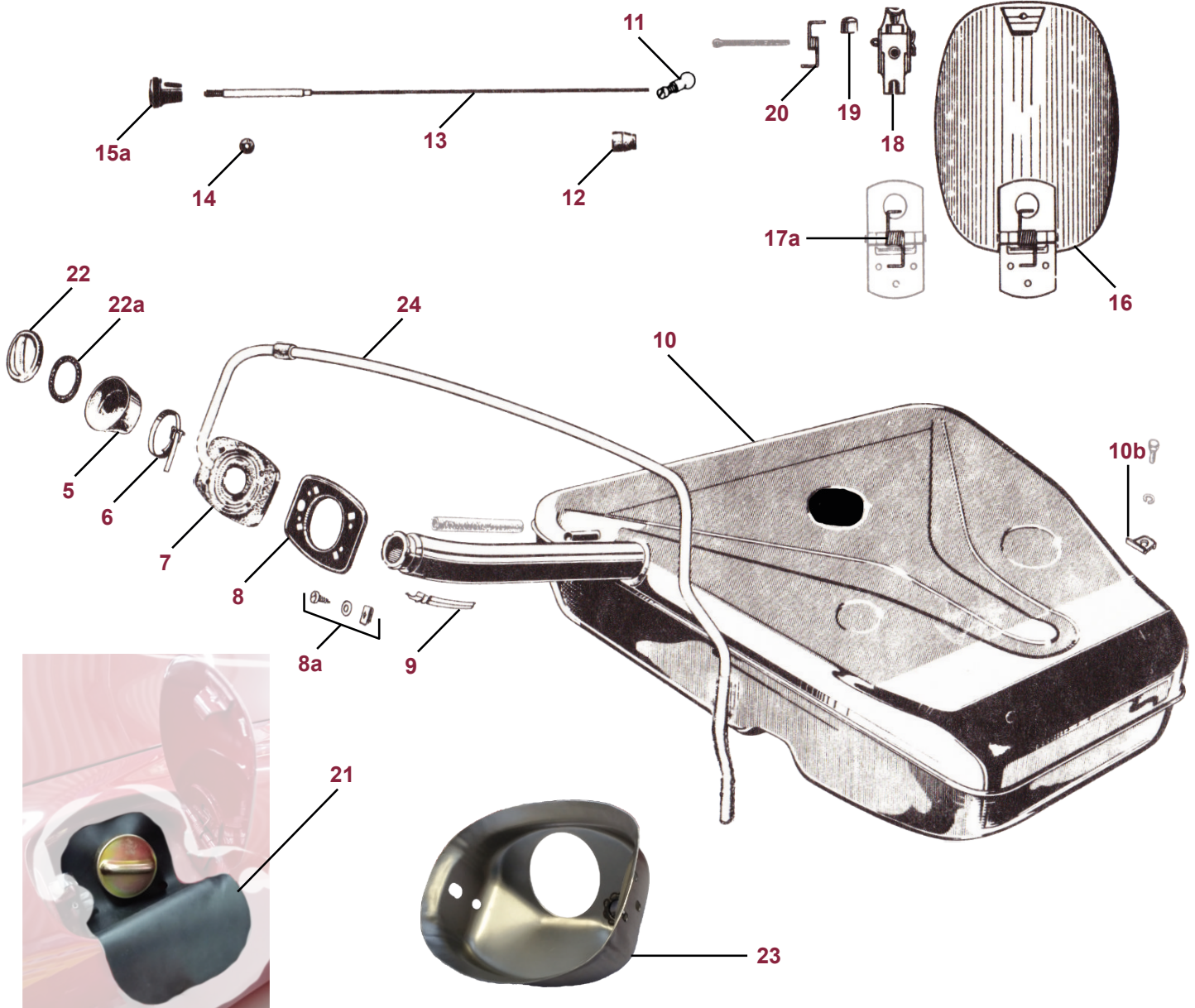
- 4901 fuel cock assembly
- 4902 fuel cock assembly
- 4903 fuel cock assembly
- 4904 fuel cock repair kit
- 4904a fuel cock repair kit
- 4904b fuel cock repair kit
- 4904c water drain hose for fresh air intake box, 45° angle
- 4904d water drain hose for fresh air intake box, 90° angle
- 4904e fresh air intake box, without screen, 90° angle
- 4904f screen for fresh air intake box
- 4904g support bracket for fresh air intake box, left or right, 2 required
- 4904h gasket for fresh air intake box

- 356 06 022
- 644 201 021 00
- 644 201 021 07
- CLP 56 022
- CLP 201 951 00
- CLP 201 951 06
- 644 571 921 06
- 644 571 921 07
- 644 571 012 07
- CLP 571 012 10
- 644 571 019 06
- 356 pre A
- 356 A - B T5
- 356 B T6/C
- 356 pre A
- 356 A - B T5
- 356 B T6/C
- 356 B T6
- 356 C
- 356 B T6/C
- 356 B T6/C
- 356 B T6/C
- 356 B T6/C



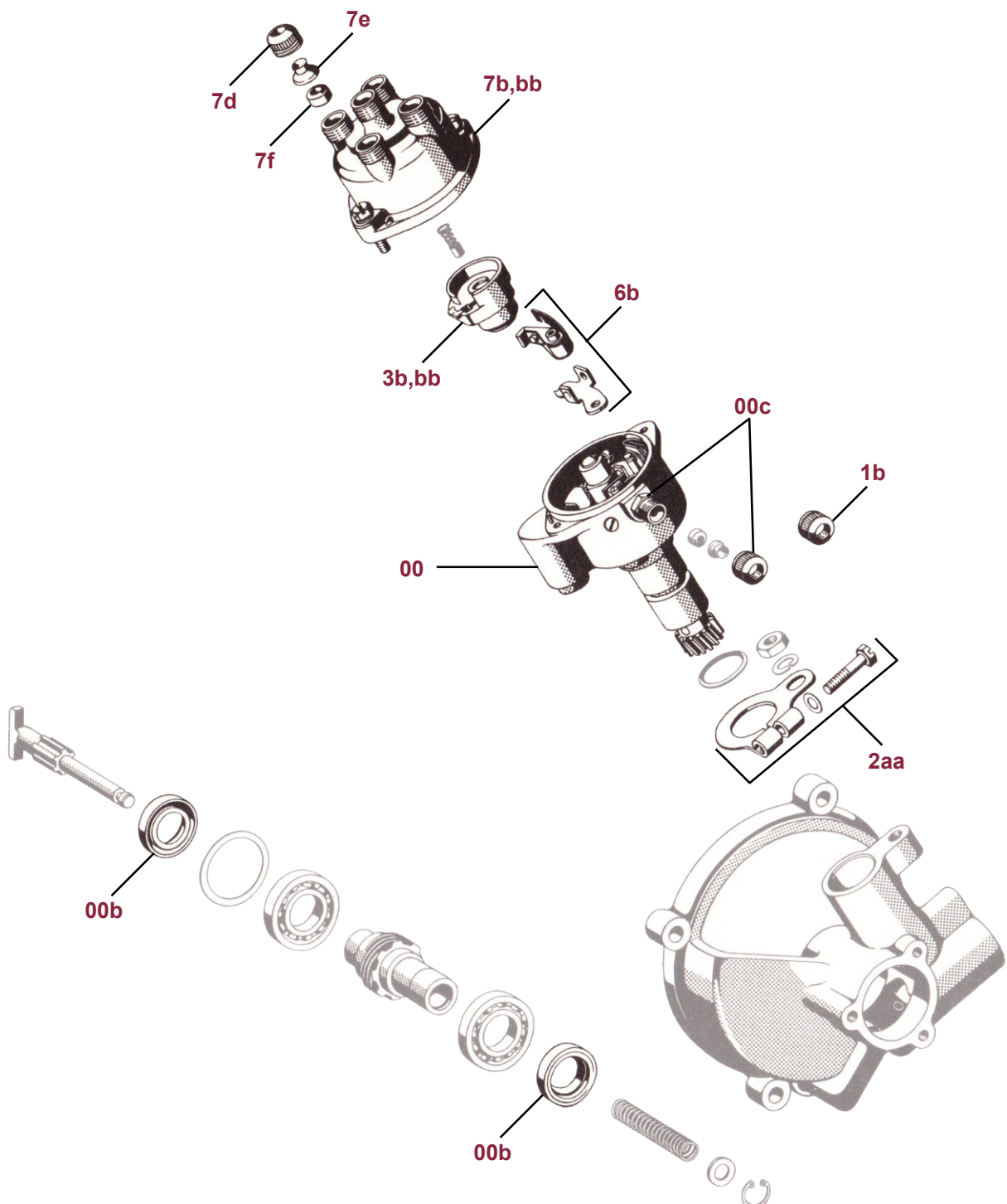


4905	rubber filler neck collar	644 201 177 00	356 B T6/C
4906	strap for rubber filler neck collar	999 512 104 02	356 B T6/C
4907	drain tube gasket for plate	644 201 175 01	356 B T6/C
4908	drain tube plate, with hardware, 2 required	644 201 173 00	356 B T6/C
4908a	hardware for drain tube plate, set of 6 pieces, 2 required	CLP 201 173 00	356 B T6/C
4909	drain channel for fuel filler neck	644 201 179 00	356 B T6/C
4910	fuel tank, painted in gray, fuel sender on the top,	644 201 001 07	356 B T6/C
4910b	support bracket for fuel tank, 4 required	644 201 233 00	356 B T6/C
4911	cable end	999 230 002 02	356 B T6/C
4912	cable sleeve	914 504 319 00	356 B T6/C
4913	release cable for tank filling cover	644 504 317 00	356 B T6/C
4914	washer	901 511 791 21	356 B T6/C
4915a	knob release cable, black	644 552 811 00 700	356 B T6/C
4916	cover for tank filling with hinge and latch	644 504 031 00	356 B T6/C
4917a	spring for hinge	644 504 331 00	356 B T6/C
4918	bearing for tank filling cover	644 504 034 00	356 B T6/C
4919	rubber buffer for tank filling cover	644 025 679 00	356 B T6/C
4920	latch spring	911 504 331 00	356 B T6/C
4921	fender protection flap for tank filler neck	644 201 277 06	356 B T6/C
4922	tank filler cover with gasket, zinc plated	901 201 271 00 o. 01	356 B T6/C
4922a	gasket for tank filler cover	644 201 272 06	356 B T6/C
4923	cup around tank filler neck	644 503 303 00	356 B T6/C
4924	breather tube with hose for fuel tank	644 201 621 07 a.	356 B T6/C
		999 180 026 50	



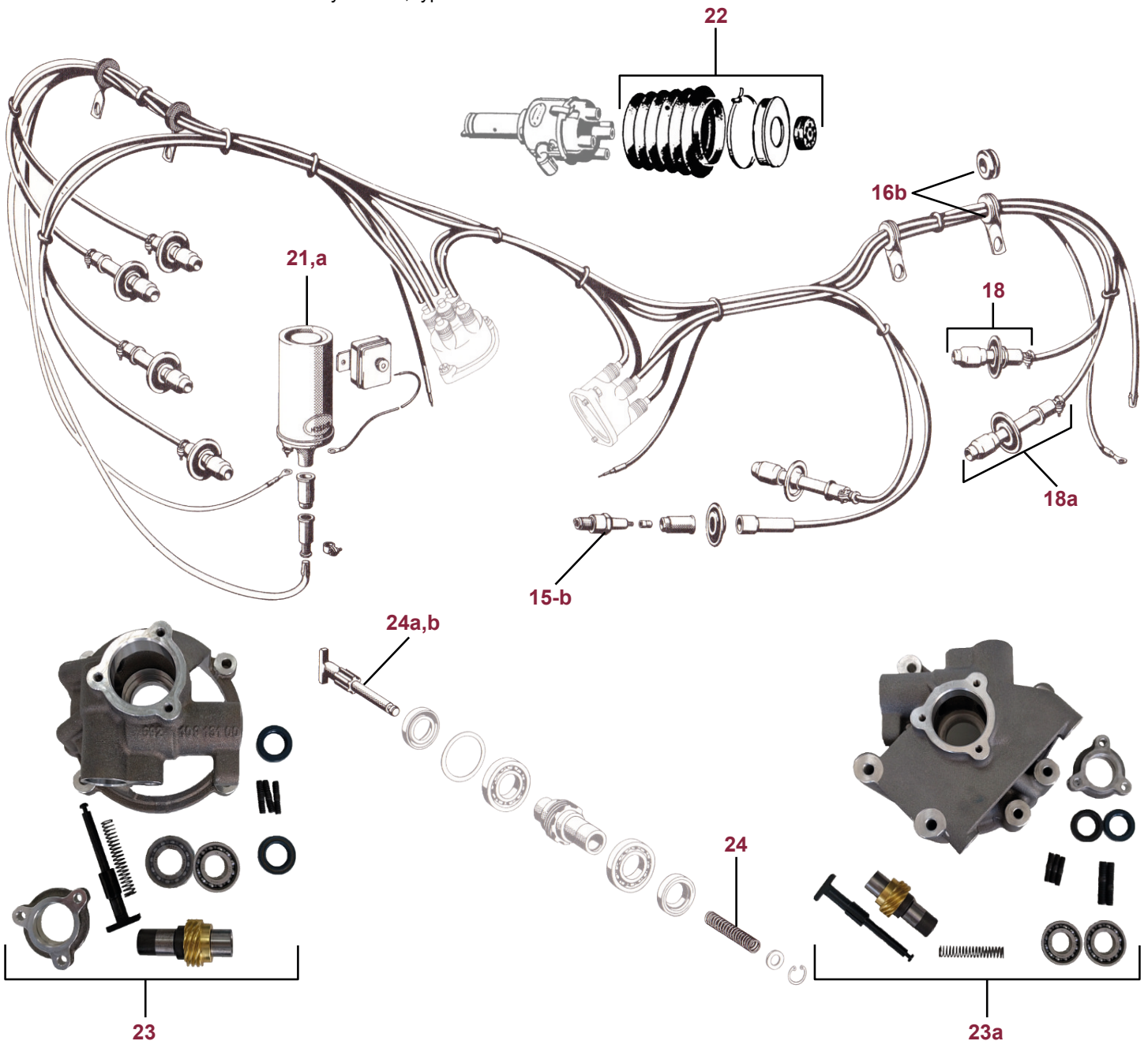
## Carrera

5000	distributor, with rotor and cap, type 692/587	692 602 201 00	Carrera
5000b	shaft seal for distributor drive, 90° version	999 112 001 40	Carrera
5000c	threaded union for distributor, with knurled nut	692 602 228 00	Carrera
5001b	knurled nut for distributor	692 602 228 00	Carrera
5002a	clamping lever for distributor, type 692/587	547 09 257/999 511 043 00	Carrera
5002aa	clamping lever for distributor, with screw, type 692/587		Carrera
5003b	distributor rotor for type 692/587 without resistance	692 602 222 01	Carrera
5003bb	distributor rotor with resistance	692 602 222 00	Carrera
5003d	distributor rotor with cap for type 547 (cam driven version)		Carrera 1500
5004b	condenser, late distributor version		Carrera
5006b	point set, 2-pieces	692 602 232/233 00	Carrera
5007b	distributor cap, without fastening screws, bakelit	692 602 223 00	Carrera
5007bb	distributor cap, without fastening screws, thermoplast, reproduction	CLP 602 223 00	Carrera
5007d	plug wire retainer, NOS, 5 required per cap	692 602 224 00	Carrera
5007e	sleeve for wire retainer, 5 required per cap	692 602 225 00	Carrera
5007f	rubber sleeve for wire retainer, 5 required per cap	692 602 226 00	Carrera



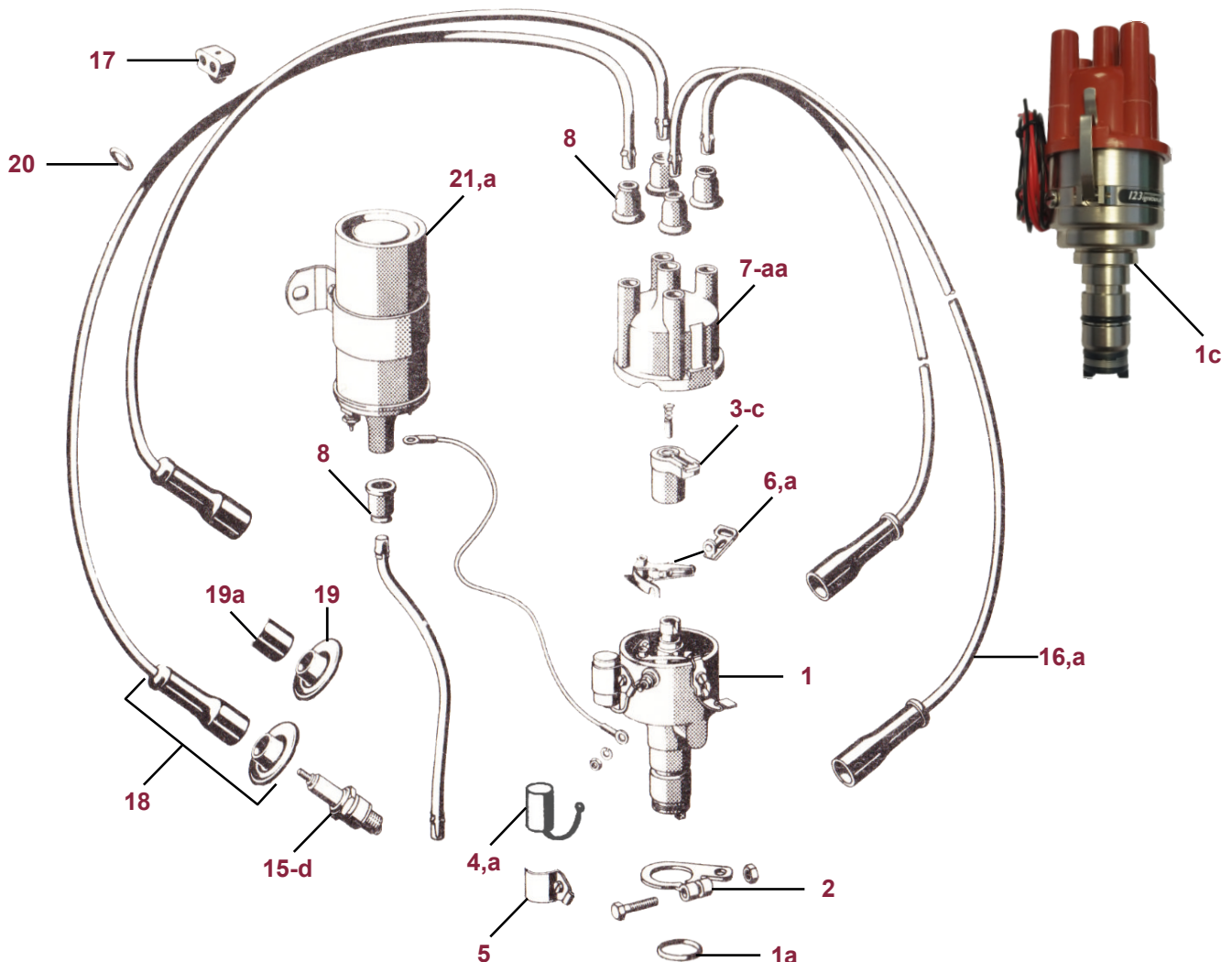
## Carrera

5015	spark plug „Bosch“	999 170 001 90	Carrera
5015a	spark plug „NGK B8EGP“, for racing		Carrera
5015b	spark plug „NGK B7“, streetversion		Carrera
5016b	ignition cable holder, on cylinder head, with grommet, type 692/587, 4 required	999 651 117 01 u. 999 702 029 50	Carrera
5016c	ignition wire, per meter		all 356
5018	plug connector with grommet and boot	616 609 303 00	all 356
5018a	plug connector with grommet and boot, long version	692 609 301 00	Carrera
5021	ignition coil, „Bosch“ with bracket, 6 Volt	547 602 101 00	all 356
5021a	ignition coil, „Bosch“ 12 Volt	616 602 109 00	all 356
5022	collar set for distributor, with hose strap, closing cap and protection hose, 2 required per engine	692 109 131/133/141 00	550 Spyder
5023	distributor drive housing, late version type 692/2 a. 587/1 a. 2 with cover, drive shaft, bearings, seals, and coupling parts	692 109 151/143 00	Carrera
5023a	distributor drive housing, type 587, with cover, drive shaft, bearings, seals and coupling parts	587 602 401 01	904
5024	spring for T-coupling	692 109 151 00	Carrera
5024a	T-coupling for V-drive	692 109 143 00	Carrera
5024b	T-coupling for V-drive, long version, type 587/3	587 602 411 00	904
5025	V-drive kit, 60° version	CLP 09 037	Carrera 1500/1600
5025a	distributor drive kit for early V-drive, type 547	547 09 243	Carrera 1500





5001	distributor, original, „Bosch“ 031	616 602 201 06	356 B/C
5001a	sealing ring for distributor	999 701 101 50	all 356
5001c	high performance distributor, „123 Ignition“, 6/12 Volt		all 356
5002	clamp for distributor	539 09 313	all 356
5003	rotor for original cast iron distributor, „Bosch“	616 602 221 00	all 356
5003a	rotor for die cast aluminium distributor, „Bosch“	616 602 221 05	all 356
5003c	rotor for type 383		356 pre A
5004	condenser for original cast iron distributor, „Bosch“	616 602 907 02	all 356
5004a	condenser for die cast aluminium distributor, „Bosch“	616 602 907 01	all 356
5005	bracket for condenser, only for cast iron distributor	CLP 602 900 00	all 356
5006	point set, 2-piece-type, only for cast iron distributor	616 602 226 01	all 356
5006a	point set, 1-piece-type, for die cast aluminium distributor	616 602 226 00	all 356
5007	distributor cap for cast iron distributor	616 602 215 02	all 356
5007a	distributor cap for die cast aluminium distributor	616 602 215 03	all 356
5007aa	distributor cap	369 602 901 00	356 pre A
5008	protective cap for ignition wire, 10 required	692 609 327 00	all 356
5015	spark plug „Bosch“	999 170 001 90	all 356
5015c	spark plug „NGK BR 7 HS“ , adapted for 40er „Solex-“ and „Weber“-carburetors		all 356
5015d	spark plug „NGK BR 6 HS“ , adapted for „Zenith“-carburetors		all 356
5016	igniton wire set, with connectors and rubber boots, ready to mount	616 109 954 00	all 356
5016a	igniton wire set, with connectors and rubber boots, ready to mount, „Concours“	616 109 954 00	all 356
5016c	ignition wire, per meter		all 356
5017	wire holder, 2 required	616 09 904	all 356
5018	plug connector with rubber grommet	616 609 303 00	all 356
5019	rubber grommet between connector and engine sheet metal	539 09 201	all 356
5019a	protection rubber at bottom of connector	692 609 325 00	all 356
5020	O-ring for ignition wire, 4 required	000 97 302	all 356
5021	ignition coil, „Bosch“ with bracket, 6 Volt	547 602 101 00	all 356
5021a	ignition coil, „Bosch“ 12 Volt	616 602 109 00	all 356



5100	starter 6 Volt, new, 0,5 PS, reproduction		356 A - C
5101	starter 6 Volt, rebuild, in exchange, specify model		all 356
5101a	starter 12 Volt, rebuild, in exchange, specify model		all 356
5101ab	starter 12 Volt, new	616 604 102 01	356 B/C
5101ac	starter, 12 Volt, new	616 604 102 02	356 - A
5101c	starter switch relais, 6 Volt		all 356
5101d	starter with 12V solenoid in exchange against 6 volt version		356 B/C
5102	solenoid, 6 Volt, late version		all 356
5102a	solenoid, 12 Volt, late version		all 356
5103	bushing for starter shaft	644 09 401	all 356
5104	brush set for 6 Volt starter, early starter uses 2, late 4 brushes, check before order	616 604 901 01	all 356
5104a	rubber boot for solenoid	999 659 006 50	alle 356



fits only for 356 B and C



5105	oil temperature sender, 12 Volt, new system (NTC) the gauge has to be matched to the sender	CLP 107 805 01	all 356
5106	oil temperature sender with bi-metal system, check before order rebuilt gauges has been changed to new system (NTC)	616 107 805 02	all 356
5106a	rubber boot for oil temperature sender	616 109 381 00	all 356
5106b	oil temperature sender, new version, 120°C (NTC) 6 and 12 Volt	CLP 107 805 01	all 356
5106bb	oil temperature sender, new version, 150°C (NTC) 6 and 12 Volt	CLP 107 805 01	all 356
5107	oil pressure switch with spade connector, 6 and 12 Volt	644 613 571 01	356 B/C
5107a	oil pressure switch with screw connector, 6 and 12 Volt	644 613 571 00	356 - A
5107aa	oil pressure sender for additional gauge, 0 - 5 bar		all 356
5107b	oil thermostat „Behr - Thomson“, only plain bearing, except 904	692 107 741 00	Carrera
5107c	rubber boot for oil pressure switch	616 613 575 00	all 356
5107d	alu gasket 18x24 for thermostat	900 123 009 30	Carrera
5108	shim and washer rep. set for distributor, only cast iron type	CLP 602 101 50	all 356
5109	insulator rep. set for distributor, only cast iron type	CLP 602 936 00	all 356
5110	clip set for distributor	CLP 602 954 00	all 356
5110a	advance spring, 2 required	CLP 602 650 04	all 356
5110b	sliding surface for advance weights	CLP 602 102 01	all 356



6



6b



6bb



7



7a



7aa



7b



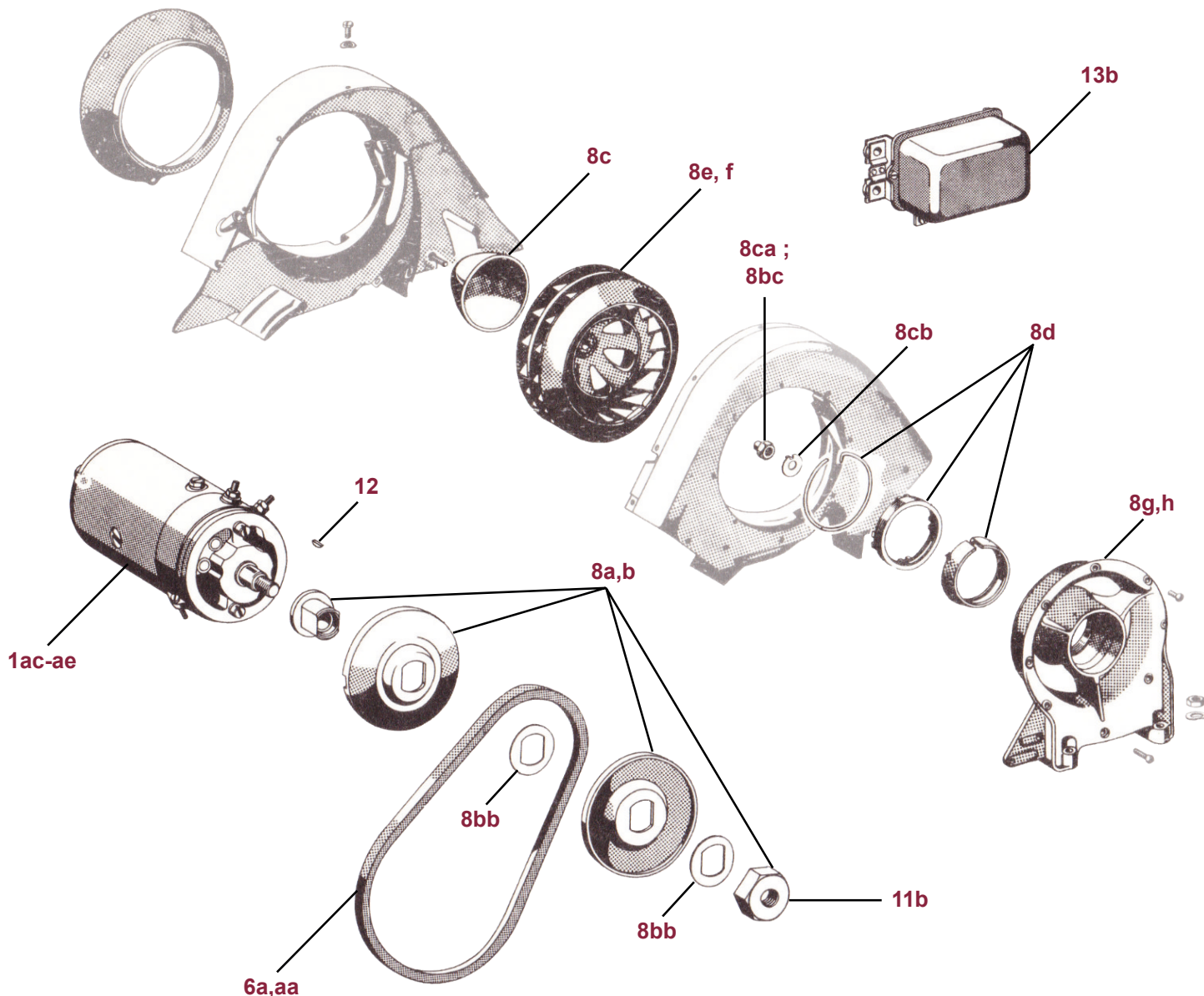
8



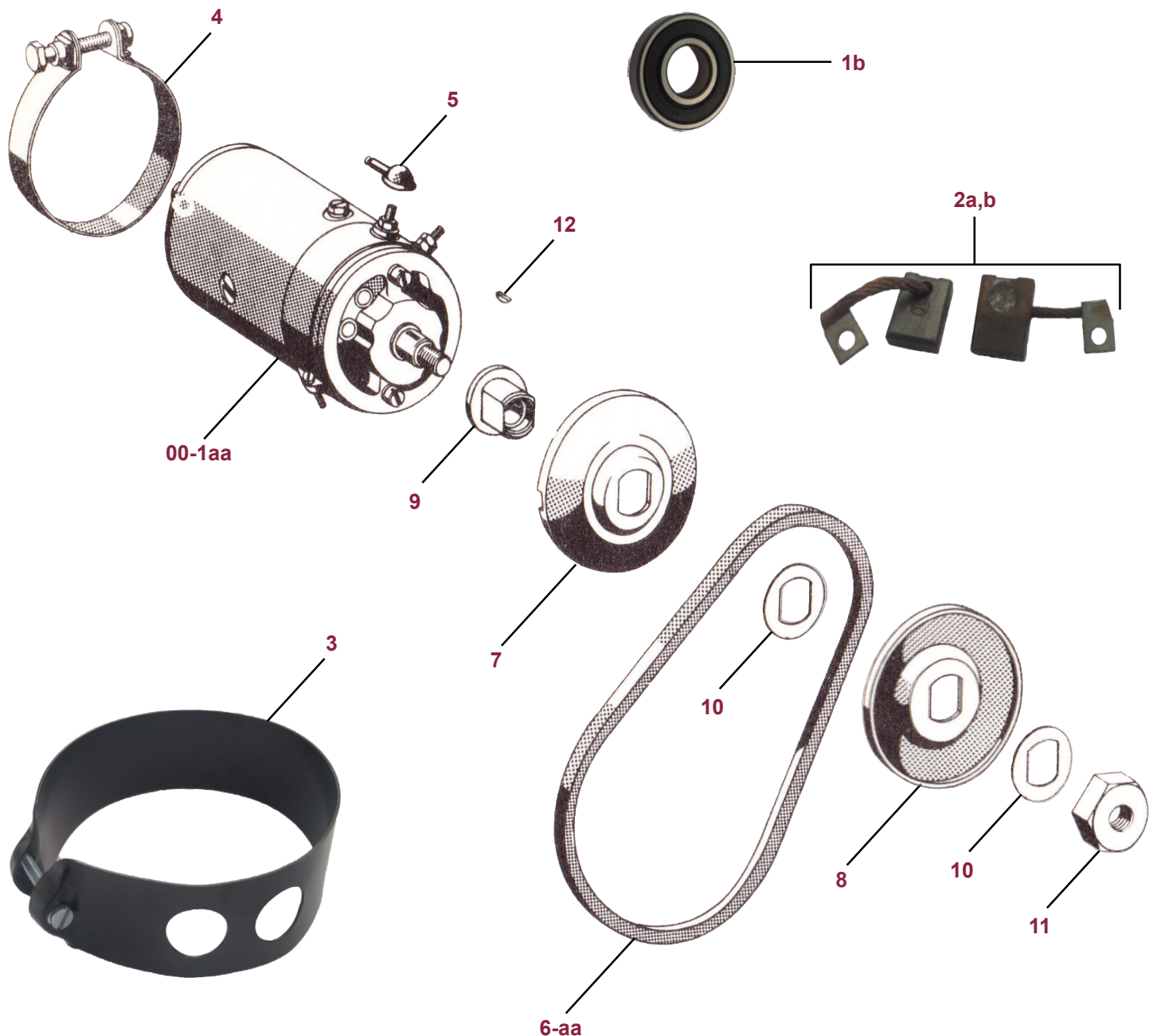
10



5201ac	generator 12 Volt in exchange, type 547, 692, 587/2 a. 3	692 603 102 03	Carrera
5201ad	generator, 12 Volt, 160/12/160, type 587/1	587 603 102 00	356 B/C Carrera 2
5201ae	generator, 12 Volt, 300/12/200, type 587/1	587 603 102 01	356 B/C Carrera 2
5206a	fan belt	999 192 006 50	356 A - C
5206aa	fan belt which says "Porsche"	999 192 006 50	356 A - C
5208a	pulley half set for generator, 4-pieces, with hub and hexagon nut for type 547 , 692, 587/2 a. 3	2 x 547 09 301	Carrera
		547 09 303/304	
5208b	pulley half set for generator, 4-pieces, with hub and hexagon nut for type 587/1	692 603 427 01	356 B/C Carrera 2
5208bb	compensation washer for pulley half, only for Carrera 2 type 587/1	692 603 491 00	356 B/C Carrera 2
5208bc	cap nut for fan, type 587/1	900 096 002 02	356 B/C Carrera 2
5208c	alu fan cap (spinner), type 547, 692, 587/2 a. 3	547 06 209	Carrera
5208ca	special nut for spinner, type 547, 692, 587/2 a. 3	547 06 210	Carrera
5208cb	lock washer for cap nut, type 587/1	900 030 002 01	356 B/C Carrera 2
5208d	clamping ring, cone and snap ring for generator, type 547, 692, 587/2 a. 3	547 01 110/111/120	Carrera
5208e	fan for generator, type 547, 692, 587/2 a. 3	547 06 021	Carrera
5208f	fan for generator, type 587/1	692 106 010 00	356 B/C Carrera 2
5208g	generator stand, type 547, 692, 587/2 u. 3	547 01 109	Carrera
5208h	generator stand, type 587/1	692 101 211 00	356 B/C Carrera 2
		587 101 211 00	
5211b	nut for pulley, type 587/1		356 B/C Carrera 2
5212	woodruff key for pulley	N 012 705 1	all 356
5213b	voltage regulator 12 Volt 38 A, large black cover		Carrera

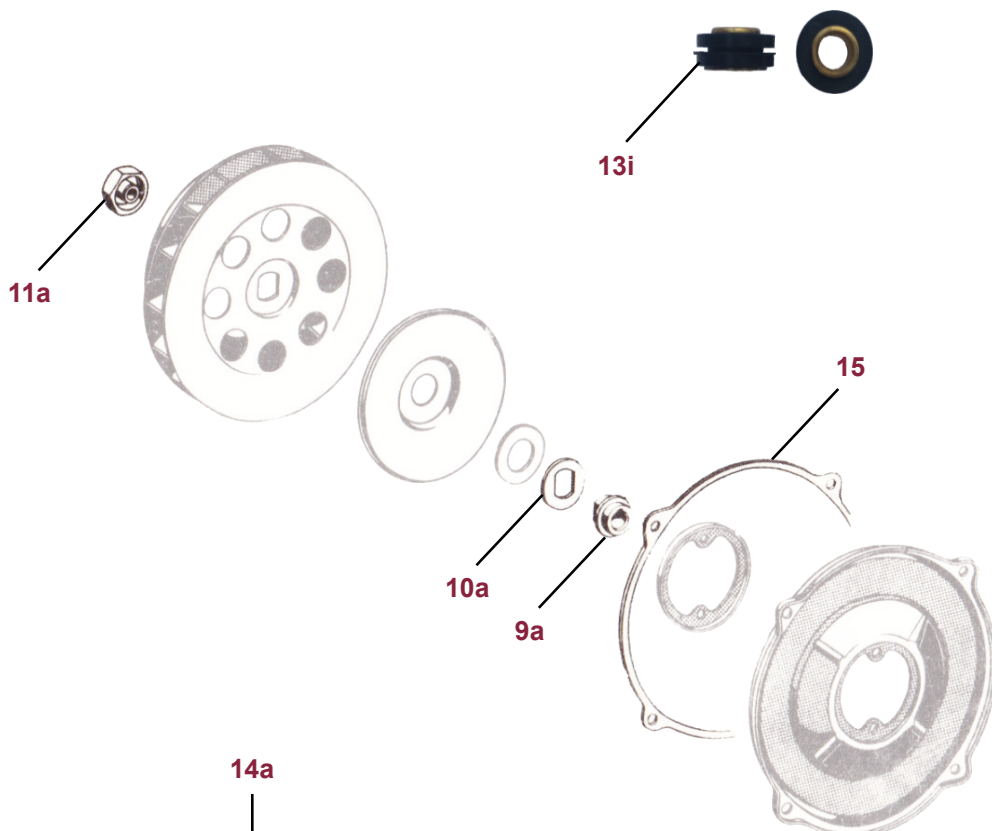


5200	generator, 12 Volt, repro		all 356
5201	generator, 6 Volt, rebuild, in exchange, specify model	616 603 101 XX	all 356
5201a	generator, 12 Volt, 24 A, rebuild, in exchange	616 603 102 XX	all 356
5201aa	generator, 12 Volt, 24 A, rebuild, in exchange against 6 Volt	616 603 102 XX	all 356
5201b	bearing for generator, 2 required		all 356
5202a	brush set for generator, 6 Volt	616 603 904 02	all 356
5202b	brush set for generator, 12 Volt	616 603 904 02	all 356
5203	dust cover for generator, black, for all 90mm generators		all 356
5203a	dust cover for generator, with vented louvers	CLP 603 louvered	up to 1957
5204	strap for generator	546 09 301	all 356
5205	rubber boot for generator, 2 required	616 109 381 00	all 356
5206	fan belt	CLP 09 307	356 pre A
5206a	fan belt	999 192 006 50	356 A - C
5206aa	fan belt which says „Porsch“	999 192 006 50	356 A - C
5207	inner pulley half, zinc plated	539 09 315	all 356
5208	outer pulley half, zinc plated	539 09 316	all 356
5209	hub for pulley, zinc plated	547 09 304	all 356
5210	spacer, as required	539 09 314	all 356
5211	nut for pulley	547 09 303	all 356
5212	woodruff key for pulley	N 012 705 1	all 356



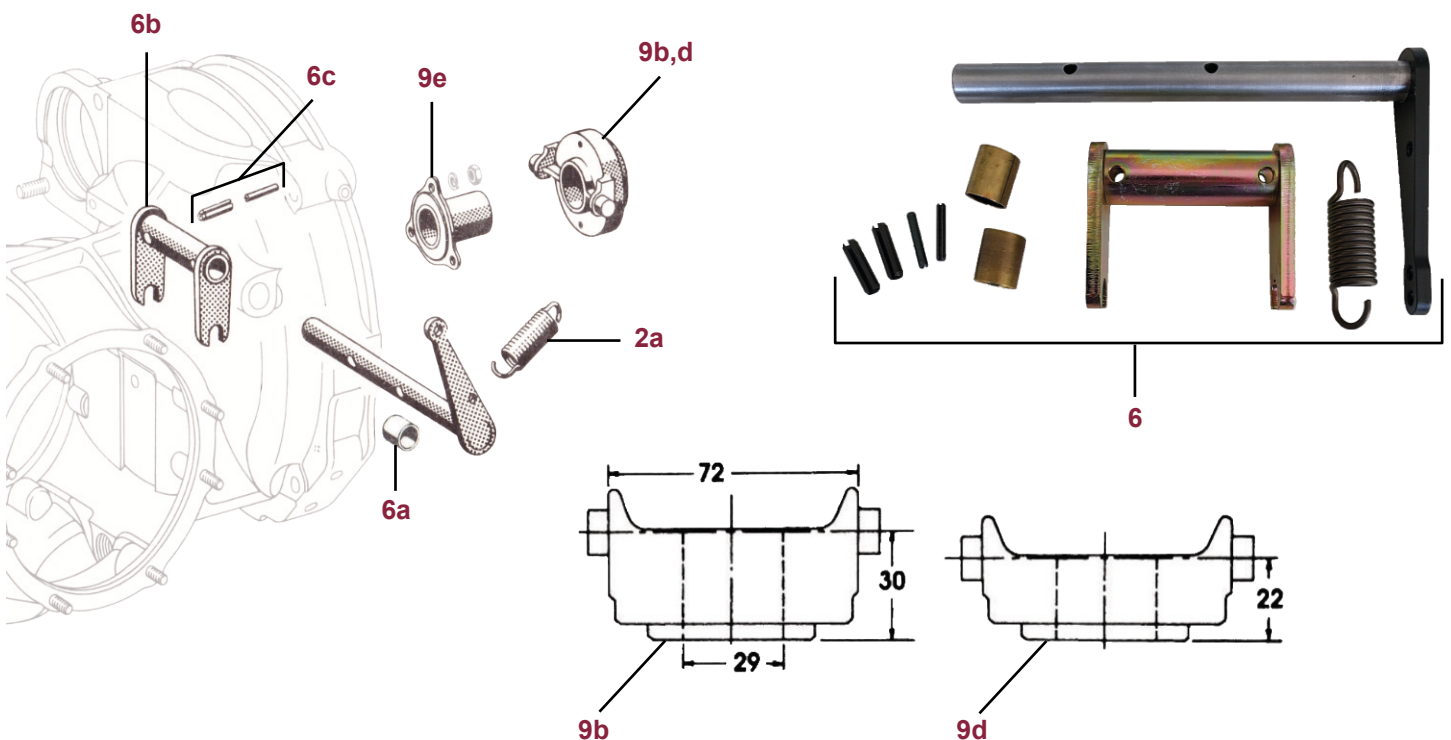
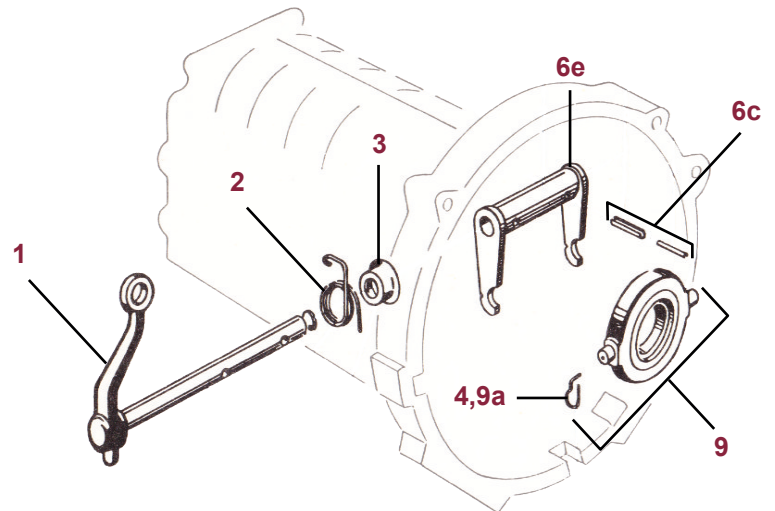
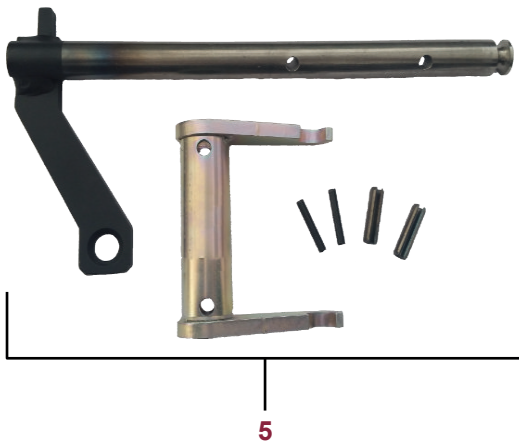
- 5209a hub for fan
- 5210a carrier plate for fan
- 5211a Mutter für Lüfterrad
- 5213 voltage regulator, 6 Volt, 50 A
- 5213a voltage regulator 6 Volt, with large black cover, „Bosch“, original
- 5213aa voltage regulator, small silver cover, 6 Volt 30 A, in exchange
- 5213ac decal for late voltage regulator
- 5213ad voltage regulator cover, stamped steel with „Bosch“ script logo
- 5213c voltage regulator 14 Volt 25 A, „Bosch“, small silver cover
- 5213d voltage regulator 6 Volt, large black cover „Bosch“, in exchange
- 5213e voltage regulator 12 Volt, large black cover „Bosch“, in exchange
- 5213i grommet for voltage regulator, large black cover „Bosch“, 3 required
- 5214a rubber boot set for terminals of generator, starter, oil pressure, reverse light and stoplight switch
- 5214b rubber boot set for terminals of generator, starter, oil pressure, reverse light and stoplight switch
- 5215 distance ring for fan housing

- 539 06 201 alle 356
- 546 06 203 alle 356
- 616 106 181 00 alle 356
- 616 603 203 00 alle 356
- 616 603 201 00/01 356 A - B
- CLP 603 203 00 356 C
- CLP 701 007 01 356 C
- 616 603 203 03 356 - A
- 616 603 202 01 356 B T6/C
- 616 603 201 356 A - B
- CLP 603 201 XX 356 A - B
- CLP 603 151 00 356 A - B
- CLP 109 380 00 356 A - B
- CLP 109 380 01 356 C/SC
- 616 106 125 00 alle 356



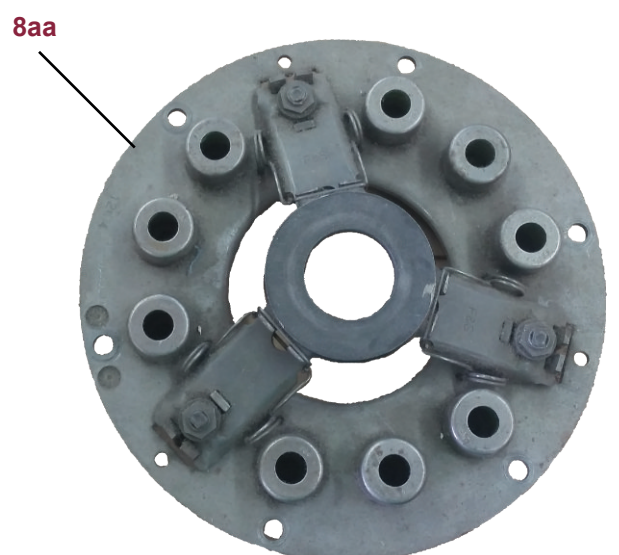
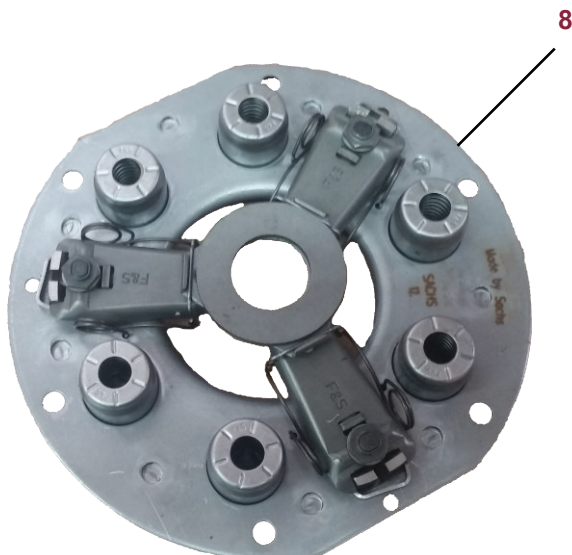
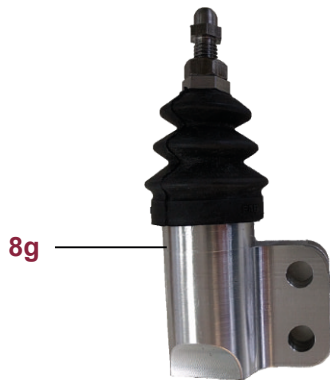
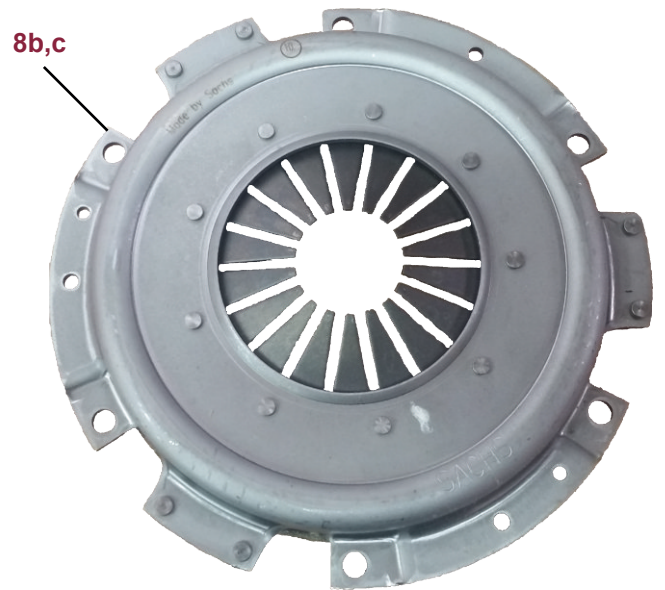
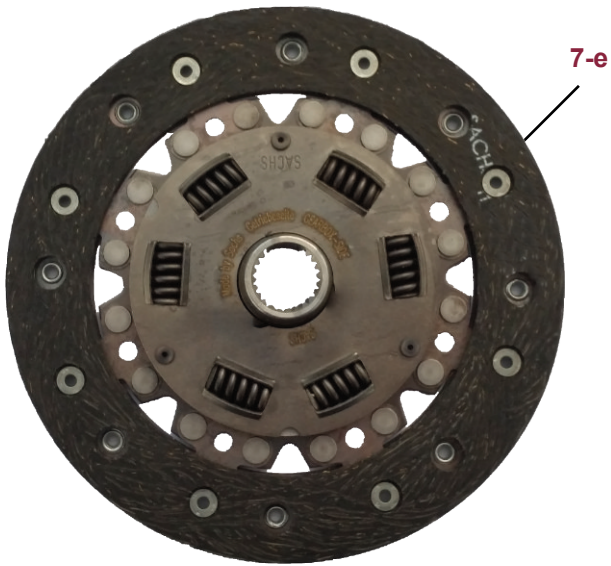


5301	cross shaft, type 644	644 16 031	356 A
5302	return spring for cross shaft, type 519/644	644 16 304	356 - A
5302a	return spring for cross shaft, type 741	999 522 005 01	356 B/C
5303	cross shaft bushing, type 644/716/741, 2 required	644 20 117	356 B/C
5304	retaining spring for release bearing, left or right, type 519/644	716 116 831 00	356 - A
5305	clutch fork repair kit, with smooth shaft, clutch fork and dowel pin, type 644, gearbox no. 11001 - 24999	CLP 16 031	356 A
5306	clutch fork repair kit, with smooth shaft, clutch fork, dowel pin and bushings, type 741	741 116 071 99	356 B/C
5306a	bushings for cross shaft, 2 required	644 20 117	356 B/C
5306b	clutch fork, type 741	741 116 073 00	356 B/C
5306c	dowel pin set for clutch fork, 4-pieces		356 B/C
5306d	cross shaft, type 716, from gearbox no. 25000	716 116 071 00	356 A
5306e	clutch fork, type 644/716	644 16 032	356 A
5309	release bearing, with retaining springs, type 519/644	644 16 305	356 - A
5309a	retaining spring for release bearing, 2 required, type 519/644	716 116 831 00	356 - A
5309b	release bearing, height 30 mm, OEM	741 116 081 00	356 B/C, Carrera 2
5309d	release bearing, height 22 mm, OEM	901 116 081 01	356 C /SC
5309e	guide for release bearing, type 716/741	741 116 087 01	356 B/C
5309f	release bearing	901 116 081 11	912



- 5307 clutch disc, 180 mm
- 5307b clutch disc, 180 mm
- 5307c clutch disc, 200 mm
- 5307e clutch disc, 200 mm
- 5308 pressure plate, 180 mm, for not guided release bearing
- 5308aa pressure plate, 180 mm, for not guided release bearing, reinforced version with 9 springs
- 5308b pressure plate, 180 mm, for guided release bearing
- 5308c pressure plate, 200 mm, for guided release bearing
- 5308e pressure plate, 200 mm, for not guided release bearing
- 5308f „Inbus“ bolt set with spring washers for pressure plate
- 5308g clutch release cylinder, aluminium

- 616 116 013 01 356 A
- 616 116 013 01 356 B Normal, Super
- 692 116 016 01 356 B/C, 912
- 692 116 012 00 Carrera
- 502 16 014 356 A
- 547 16 016 1 356 - A
- 616 116 012 01 356 B
- 616 116 014 02 356 B/C
- 900 067 057 02 550 Spyder, RSK RS 60/61
- 718 116 503 00 550, 718 Spyder



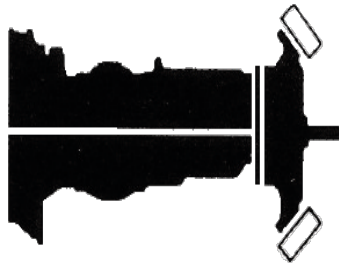
## 519



type:  
suspension:  
gearbox no.:

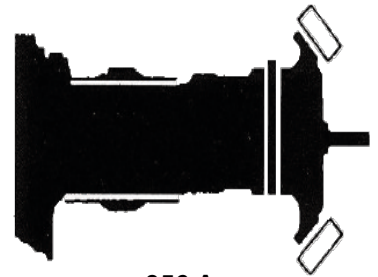
356 pre A  
central  
- 10999

## 519



356 A  
644 with 2 suspension points  
- 10999

## 644



356 A  
644 with 2 suspension points  
11001 - 24999

VIN:

Coupe

5001 - 54999

55001 - 59999

55001 - 59999  
100001 - 108917

Cabrio

10350 - 60999

61001 - 61999

61001 - 61999  
150001 - 152475

Speedster

80001 - 81999

82001 - 85499

82001 - 85499

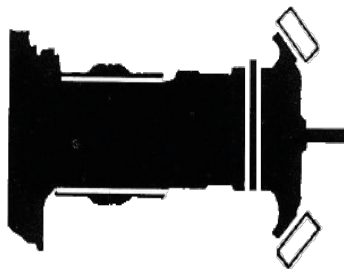
Convertible D

/

/

85501 - 86830

## 716



type:  
suspension:  
gearbox no.:

356 A  
644 with 2 suspension points  
25001 - 31999

## 741



356 B  
741 central  
32001 - 34999

## 741



356 B/C  
644 with 2 suspension points  
35001 -

VIN:

Coupe

55001 - 59999

100001 - 108917

108918 -

Cabrio

61001 - 61999

150001 - 152475

152476 -

Hardtop

/

152476 - 153022

153023 - 155569 / 201601

Speedster

82001 - 85499

/

/

Conv.D/Roadster

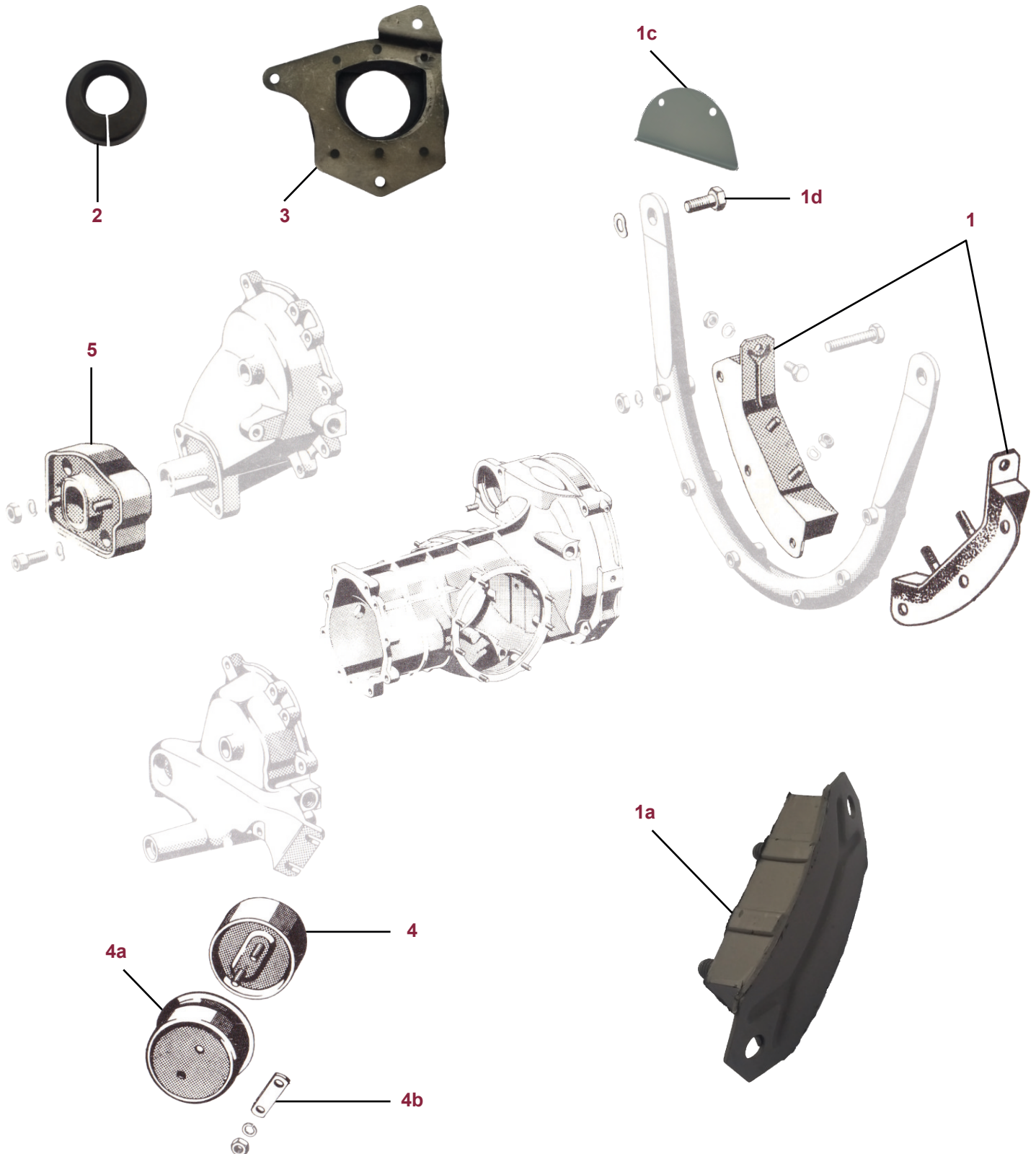
85001 - 86830

86831 - 87491

87492 -



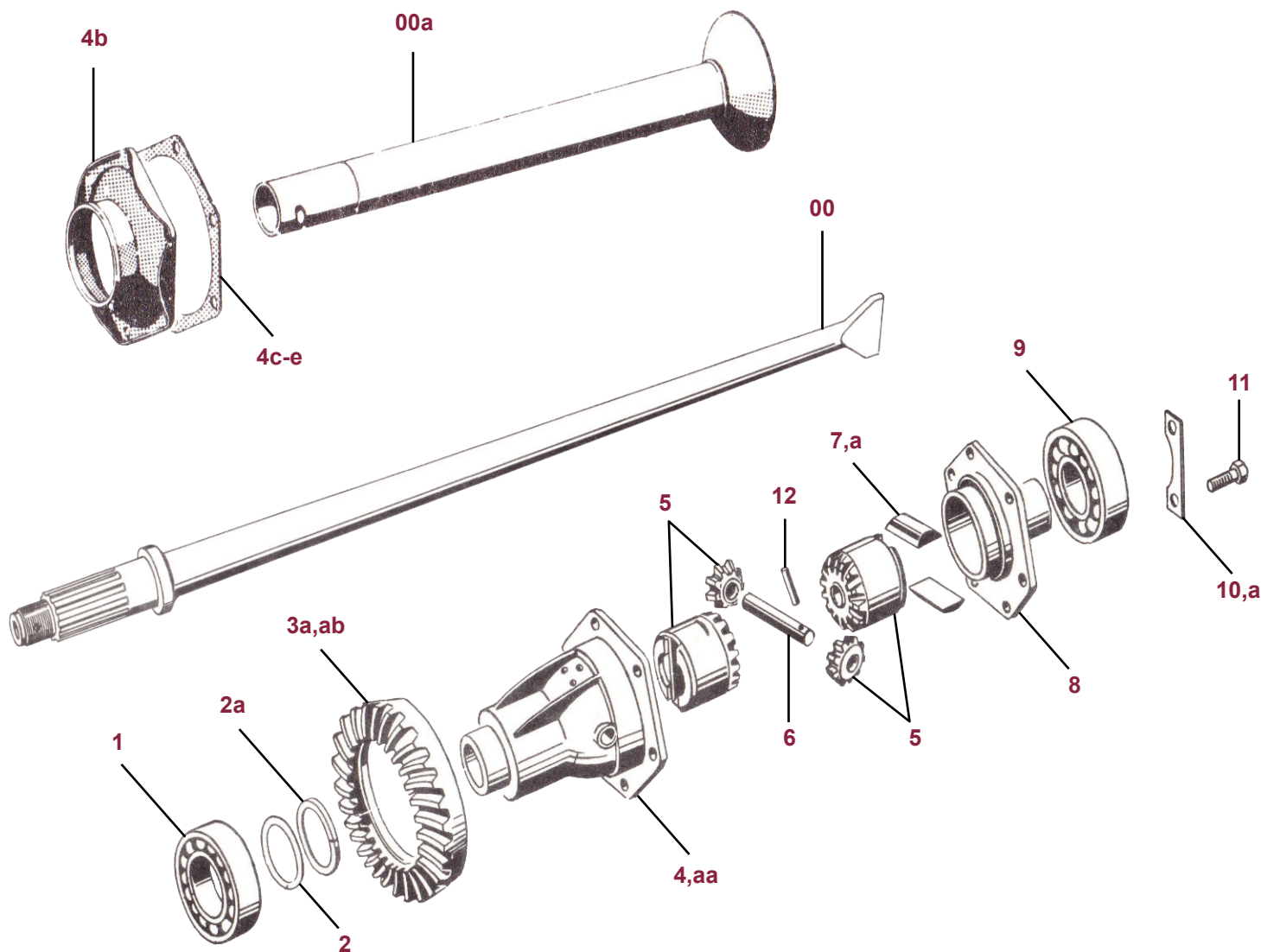
5401	rear mount set, pair for left and right, type 519/741	519 20 095/096	all 356
5401a	rear mount set, 2 required Coupe till VIN 54999, Cabrio till VIN 60999, Speedster till VIN 81999	356 20 515	356 pre A
5401c	cover set for gearbox support, pair for left and right	644 504 741/742 00	all 356
5401d	hexagon bolt set for gearbox support	900 082 006 00	all 356
5402	rubber front mount, single mount gearbox, type 519	356 21 105	356 pre A
5403	front mount, single mount gearbox, type 519	519 20 522	356 pre A
5404	front mount for double mount gearbox, 2 required	519 20 016	356 A - C
5404a	cup for rubber mount, 2 required	644 20 505	356 A - C
5404b	reinforcement plate, 4 required	519 20 539	356 A - C
5405	front suspension mount, till gearbox no. 35000	741 305 021 00	356 B T5



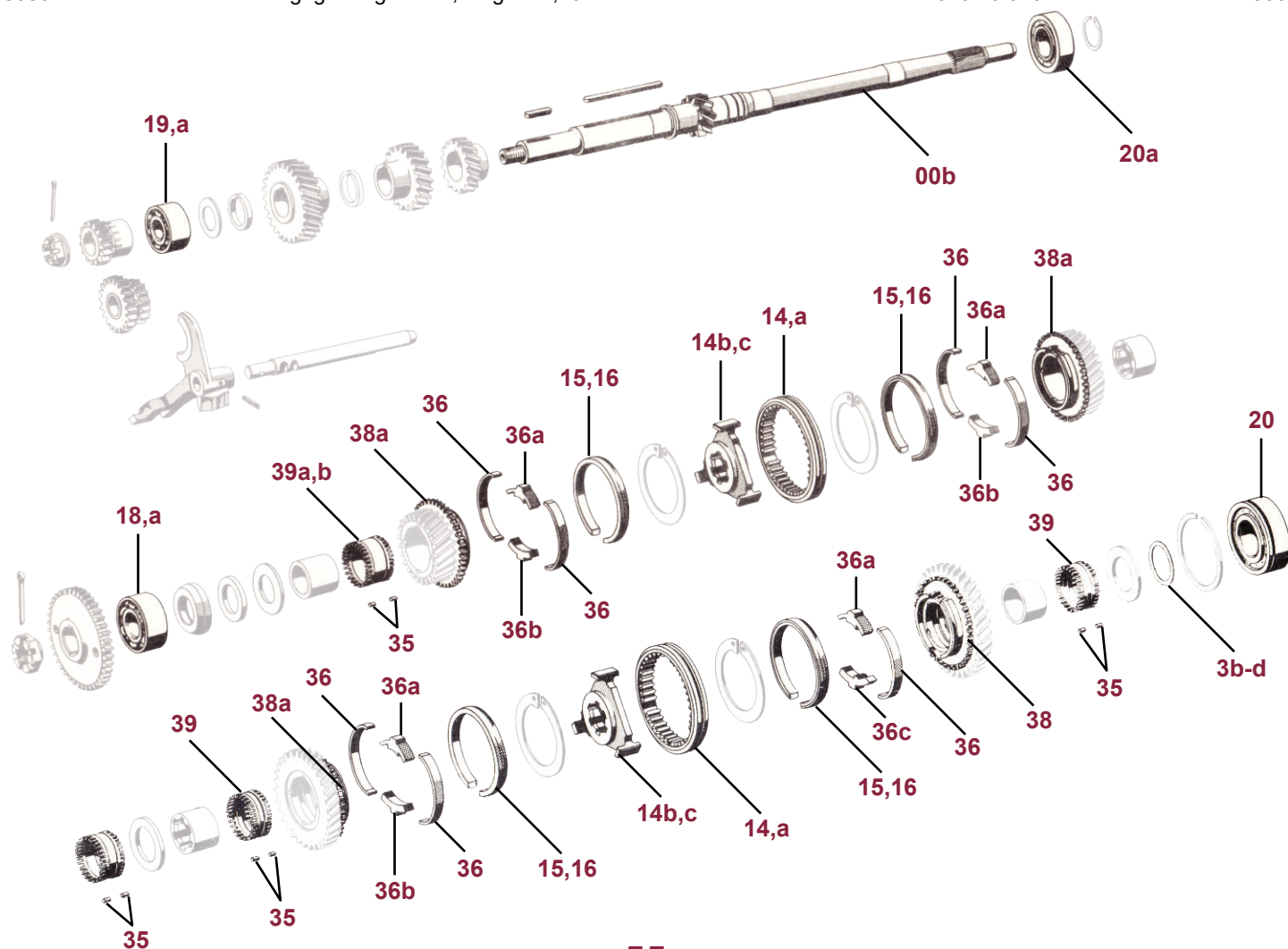
# gearbox rear axle differential

*Classic parts*

5500	rear axle shaft, reinforced version	644 332 221 02	all 356
5500a	rear axle tube	644 331 201 00	all 356
5501	bearing on differential housing, type 519, 644, 716, 741	900 052 005 00	all 356
5502	shim for differential bearing, as required	519 32 103	all 356
5502a	spacer, 2,9 - 4,5 mm, specify dimension, as required	519 32 2XX	all 356
5503a	ring and pinion 7:31, „Klingelberg“ version, made in Germany	741 302 906 00/01	all 356
5503ab	ring and pinion 7:28, „Klingelberg“ version, made in Germany		all 356
5504	differential housing, 12 bolt-version, incl. 2 x 5504a	741 332 101 01	all 356
5504a	shim for differential housing, 2 required	741 332 261 00	all 356
5504aa	differential housing, with cover, reinforced version (250 Brinell) incl. 2 x 5504a	CLP 332 101 01	all 356
		CLP 332 111 00	
5504b	retainer for axle tube, reinforced version,with O-ring	644 331 221 00	all 356
5504c	gasket for rear axle retainer, 0,1 mm	644 331 931 00	all 356
5504d	gasket for rear axle retainer, 0,2 mm	644 331 931 01	all 356
5504e	gasket for rear axle retainer, 0,3 mm	356 34 143	all 356
5505	differential gear set, 4 pieces	644 332 043 00	all 356
5506	differential pinion set	519 32 102	all 356
5507	fulcum plate for rear axle shaft, standard	690 321 232 00	all 356
5507a	fulcum plate for rear axle shaft, oversize, +0,08 mm	690 321 232 50	all 356
5508	differential cover, 12bolt-version	741 332 111 00	all 356
5509	bearing on housing cover, type 519, 644, 716, 741	900 053 004 00	all 356
5510	lock tab for 6 bolt-version, 3 required	741 332 281 00	all 356
5510a	lock tab for 6 bolt-version, 6 required	741 332 281 01	all 356
5511	hexagon bolt for ring and pinion, 6 or 12 required, should be always replaced	741 332 271 07	all 356
5512	lock pin for differential onion shaft	519 32 104	all 356

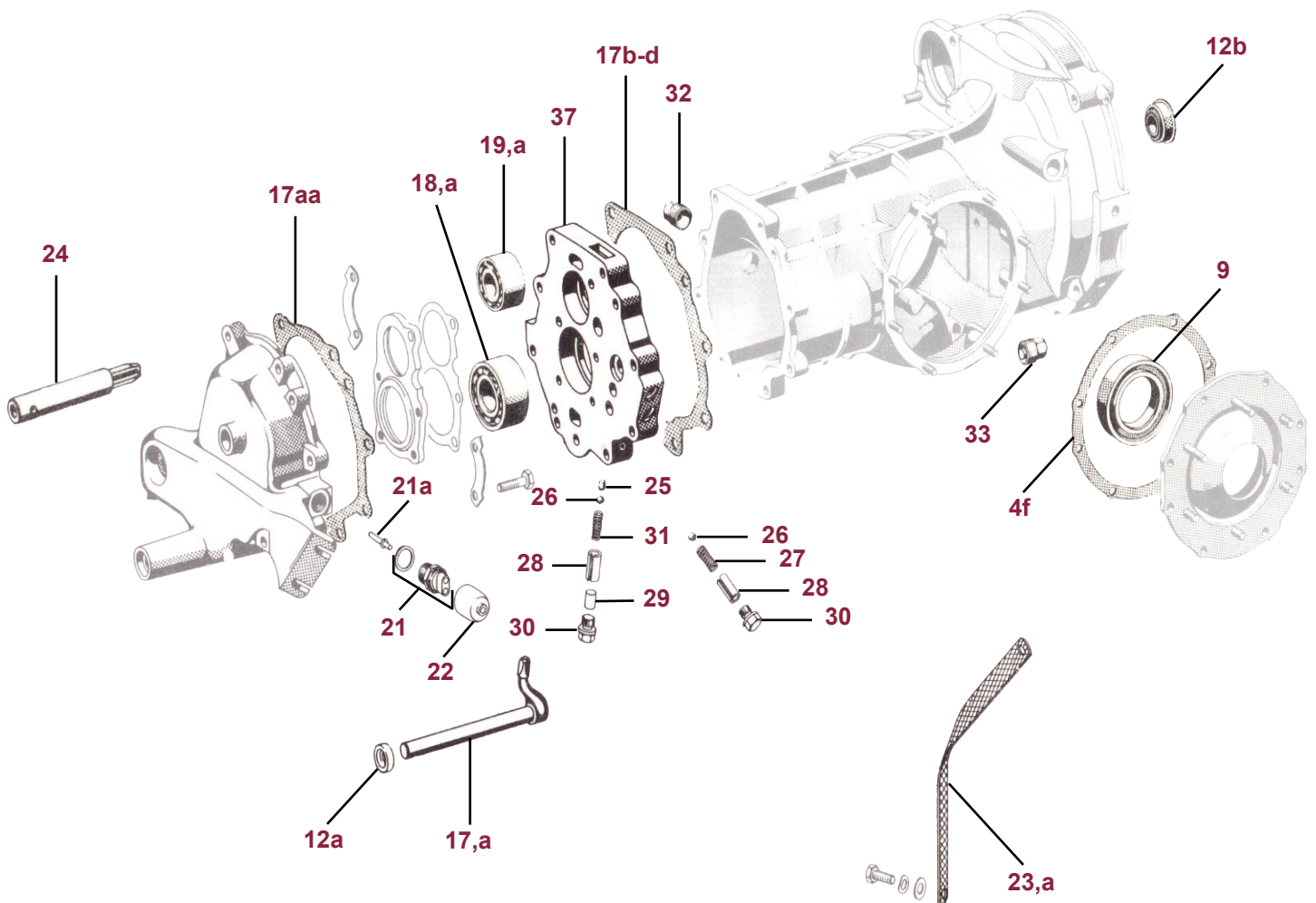


5500b	main drive shaft (z=11), late version	741 302 101 10	all 356
5503b	shim for bevel pinion 0,25 mm, as required	741 302 297 00	all 356
5503c	shim for bevel pinion 0,30 mm, as required	741 302 297 01	all 356
5503d	shim for bevel pinion 0,40 mm, as required	741 302 297 02	all 356
5514	operating sleeve, type 716, 741	716 302 411 01	all 356
5514a	operating sleeve, type 519, 644	519 20 328	all 356
5514b	shift guide, type 716, 741	716 302 401 01	all 356
5514c	shift guide, type 519, 644	519 20 327	all 356
5515	synchro ring, type 519, 644	519 20 313	all 356
5516	synchro ring, type 716, 741	716 302 301 06	all 356
5518	mainshaft bearing, type 644, 716, 741	900 053 003 00	all 356
5518a	mainshaft bearing, with groove, type 519	519 20 211	all 356
5519	mainshaft bearing, type 644, 716, 741	900 053 002 00	all 356
5519a	mainshaft bearing, with groove, type 519	519 20 250	all 356
5520	roller bearing N 2206 with groove, type 644, 716, 741	915 302 399 06	all 356
5520a	roller bearing for main drive shaft, type 644, 716, 741	644 20 207	all 356
5520b	roller bearing, type 519, two piece housing, not for Carrera	900 052 003 00	all 356
5520c	roller bearing, type 519, two piece housing, not for Carrera	900 110 002 00	all 356
5534	bearing set, 8-pieces, type 644, 716, 741		all 356
5535	roller pins 3x5 for needle gage, as required	716 302 930 00	all 356
5536	brake band, 7 required	741 302 316 00	all 356
5536a	anchor block for 1. till 4. gear, 4 required	741 302 317 00	all 356
5536b	anchor block for 2. till 4. gear, 3 required	716 302 315 02	all 356
5536c	anchor block for 1. gear	716 302 320 01	all 356
5538	dog teeth for 1. gear, type 716, 741	716 302 241 02	all 356
5538a	dog teeth for 2. till 4. gear, type 716, 741	716 302 241 01	all 356
5538b	dog teeth for type 519, 644, 4 required	644 302 411 01	all 356
5539	needle gage for gearbox, height 18,80 mm	519 20 218	all 356
5539a	needle gage for gearbox, height 22,70 mm	519 20 318	all 356
5539b	needle gage for gearbox, height 27,10 mm	519 20 319	all 356

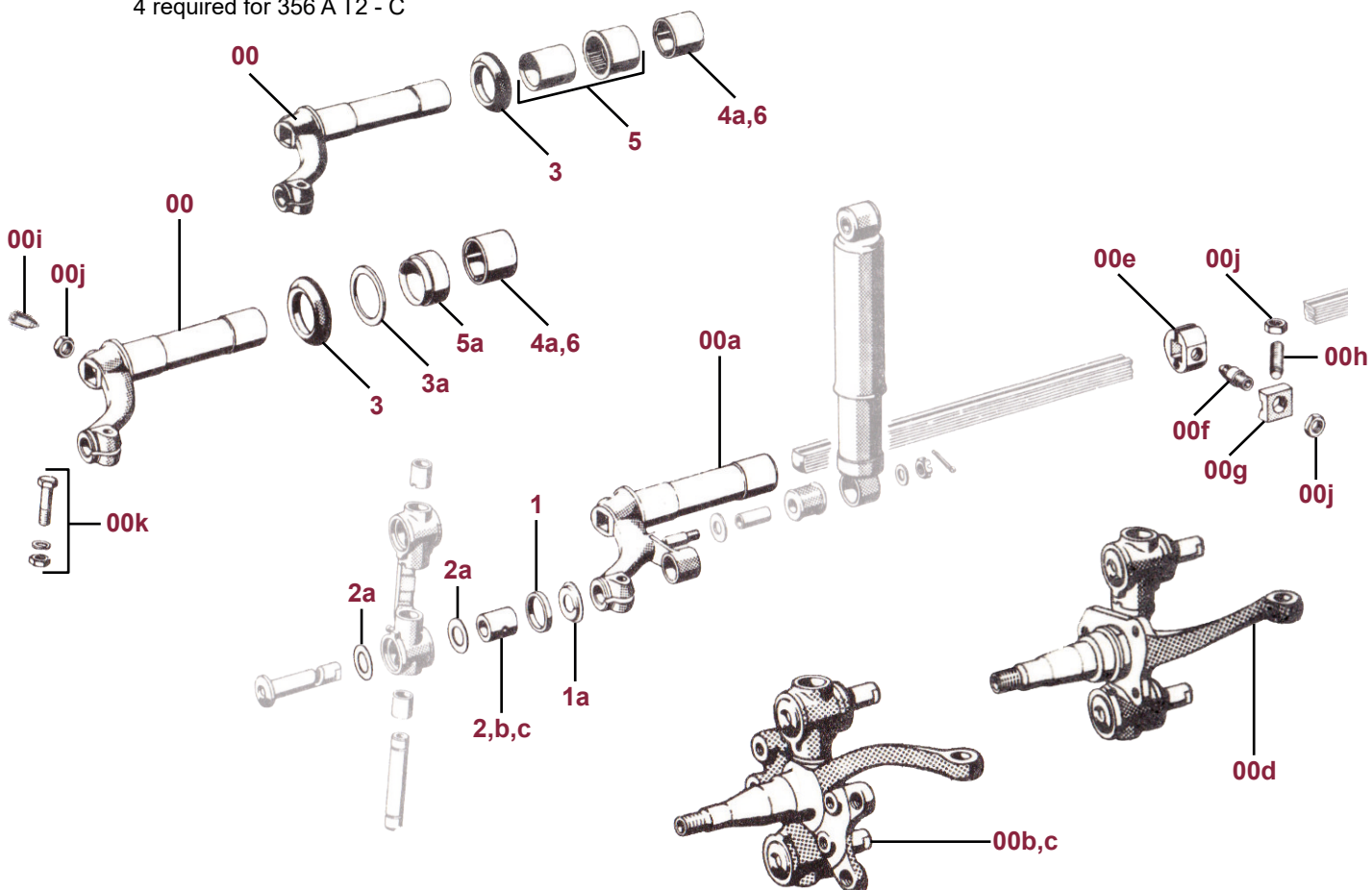




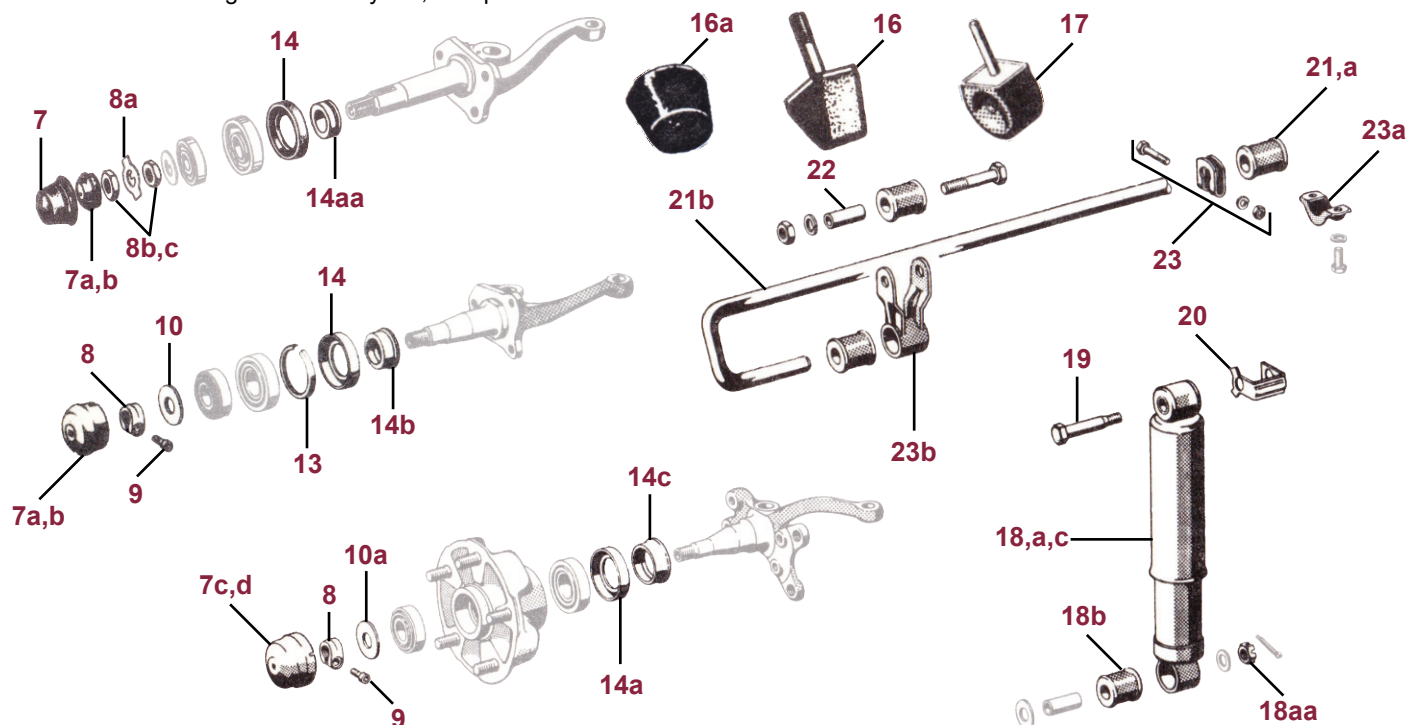
5504f	gasket for gearbox cover	644 20 116	all 356
5509	bearing on housing cover, type 519, 644, 716, 741	900 053 004 00	all 356
5512a	radial seal for inner gear change lever	900 112 001 50	all 356
5512b	radial seal for main drive shaft	999 113 048 50	all 356
5513	transmission repair kit, type 519, 644, 716, 741	741 300 111 00	all 356
5517	gear change lever	519 20 342	all 356
5517a	gear change lever, type 741, till gearbox no. 35001	741 303 016 01	all 356
5517aa	gasket for gearbox cover	741 301 911 00	all 356
5517b	shim 0,10 mm	644 20 109	all 356
5517c	shim 0,15 mm	644 20 110	all 356
5517d	shim 0,20 mm	644 20 111	all 356
5518	mainshaft bearing, type 644, 716, 741	900 053 003 00	all 356
5518a	mainshaft bearing with groove, type 519	519 20 211	all 356
5519	mainshaft bearing, type 644, 716, 741	900 053 002 00	all 356
5519a	mainshaft bearing with groove, type 519	519 20 250	all 356
5521	reverse light switch	695 613 541 00	all 356
5521a	actuator for reversing light	741 303 017 00	all 356
5522	rubber cap for reverse light switch	914 613 491 00	all 356
5523	gearbox ground strap, type 519, 177 mm lenght	644 612 305 00	all 356
5523a	gearbox ground strap, type 644, 716, 741, 280 mm lenght	741 612 305 00	all 356
5524	shaft for reverse sliding gear	644 20 022	all 356
5525	plunger for gear lock	519 20 331	all 356
5526	locking ball for gear lock	N 025 667 2	all 356
5527	spring for gear lock, reverse gear	519 20 330	all 356
5528	bushing for locking ball	644 20 108	all 356
5529	dowel pin	900 012 038 00	all 356
5530	drain plug	999 065 001 02	all 356
5531	spring for gear lock, 2 required	519 20 265	all 356
5532	oil drain plug	999 064 019 02	all 356
5533	magnetic oil drain plug, type 644, 741	999 064 008 02	all 356
5537	intermediate plate, cast iron, type 716, 741	741 302 221 10	all 356



5600	suspension arm, upper, NOS	695 341 994 00	356 A - C
5600a	suspension arm, lower, NOS	695 341 995 00	356 A - C
5600b	axle stub, complete, right, NOS	695 341 998 00	356 C
5600c	axle stub, complete, left, NOS	695 341 997 00	356 C
5600d	axle stub, rebuild, ready to use, left or right, specify model		all 356
5600e	adjustable nut for torsion bar	644 41 202 1	356 A - C
5600f	fastening screw with band	644 41 203	356 A - C
5600g	adjustment stop	644 41 204	356 A - C
5600h	set screw	644 41 205	356 A - C
5600i	fastening screw for torsion bar	999 069 001 01	356 A - C
5600j	lock nut for fastening screw	644 41 111	356 A - C
5600k	screw, nut and washer for suspension arm	N 010 445 2, 900 027 016 02, N 011 010 6	all 356
5601	link pin seal, 4 required	644 41 409	all 356
5601a	washer seal, metal, 4 required	644 41 408	all 356
5601e	grease nepple set, 30-pieces, front axle, axle stubs and door hinges	CLP 163 001 01	all 356
5602	bushing for suspension arm link pin, bronze, 4 required	644 41 407	all 356
5602a	shim for suspension arm link pin, 36 required	356 41 446	all 356
5602b	bushing for suspension arm link pin, bronze, 1. oversize 28,20 mm	CLP 41 408	all 356
5602c	bushing for suspension arm link pin, bronze, 2. oversize 28,56 mm	CLP 41 408	all 356
5603	rubber gasket for suspension arm, 4 required	644 41 403	356 A T1 - C
5603a	spacer for needle bearings, 4 required	695 341 108 00	356 A T1 - C
5603aa	rubber gasket for suspension arm, 4 required	356 41 403	356 pre A
5604	needle bearing for suspension arm 8 required for 356 A T1 - B T6 4 required for 356 C	CLP 341 014 00	356 A T1 - C
5604a	bearing for suspension arm	CLP 41 103	356 pre A
5605	needle bearing, complete (bushing, 2x needle bearing, spacer)	644 41 014 695 341 108 00	356 A T2 - B T6
5605a	needle bearing, complete	695 341 014 00	356 C
5606	fiber bushing for suspension arm, 8 required for 356 - A T1 4 required for 356 A T2 - C	CLP 41 103	all 356

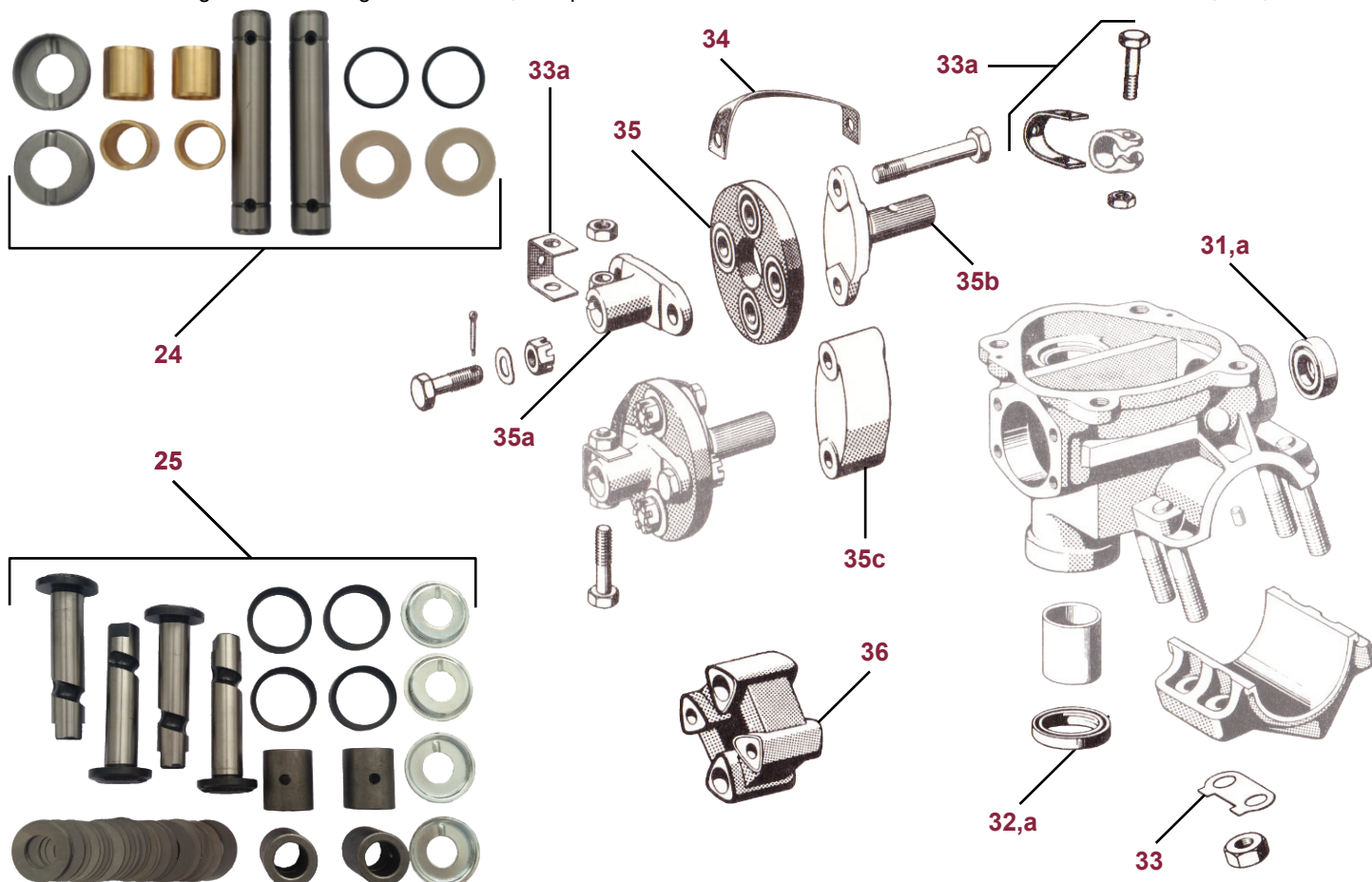


5607	rubber dust cap on front axle, left or right	356 41 427	356 - B
5607a	dust cap on front axle, left, zinc plated	356 41 453	356 - B
5607b	dust cap on front axle, right, zinc plated	356 41 454	356 - B
5607c	dust cap on front axle, left, zinc plated	695 341 683 00	356 C
5607d	dust cap on front axle, right, zinc plated	695 341 684 00	356 C
5608	clamping nut for axle stub	644 341 671 00	356 A T2 - C
5608a	lock plate for axle nut	356 41 452	356 - A T1
5608b	hexagon nut for axle stub, right hand thread	356 41 450	356 - A T1
5608c	hexagon nut for axle stub, left hand thread	356 41 451	356 - A T1
5609	allen head bolt for clamping nut	999 119 001 01	356 A T2 - C
5610	thrust washer for axle stub	644 341 667 00	356 A T2 - B T6
5610a	thrust washer for axle stub	999 025 043 00	356 C
5613	intermediate ring for oil seal	644 341 663 00	356 - B
5614	radial oil seal for axle stub	356 41 448	356 - B
5614a	radial oil seal for axle stub	999 113 032 50	356 C
5614aa	spacer for axle stub	356 41 447	356 - A T1
5614b	spacer for axle stub	644 341 661 00	356 A T2 - B
5614c	spacer for axle stub	695 341 661 01	356 C
5615a	grease nipple	N 018 530 1	356 - A T1
5615b	grease nipple	N 018 515 1	356 A T2 - B T6
5615c	grease nipple	N 018 516 1	356 C
5615d	grease nipple for original tie rod end	N 018 514 1	356 A T1 - C
5615e	grease nipple for front axle tube, 90° angle	N 018 517 1	all 356
5615f	grease nipple for front axle tube, 45° angle	N 018 518 1	all 356
5616	rubber stop, front axle	644 41 010 1	356 A
5616a	rubber stop, front axle	356 41 208	356 pre A
5617	rubber stop, front axle	695 341 031 01	356 B/C
5618	shock absorber, „Koni“, front, red, adjustable	356 41 503	356 pre A
5618a	shock absorber, „Koni“, front, red, adjustable	644 343 501 10	356 A - C
5618aa	castellated nut for für front shock absorber fastening	900 079 003 02	all 356
5618b	rubber bushing for shock absorber, front upper and below or rear below	644 343 561 10	all 356
5618c	shock absorber set, „Bilstein“, front and rear, for racing		356 A - C
5619	bolt for front shock absorber mount, black zinc plated	644 41 511	all 356
5620	locking plate for front shock absorber bolt, zinc plated	644 343 581 00	all 356
5621	rubber bushing set for sway bar, 6 pieces	644 41 602	356 A - C
5621a	rubber bushing for sway bar, as required	644 41 602	356 A - C
5621b	sway bar 17,5 mm, with rubbers und sleeves	CLP 333 017 00	356 A - C
5622	steel bushing, 2 required, zinc plated	644 41 601	356 A - C
5623	clip on sway bar, 2 required	644 41 606	356 A - C
5623a	bushing cover for sway bar, 2 required	644 41 605	356 A - C
5623b	holding fork for sway bar, 2 required	644 41 061	356 A - C

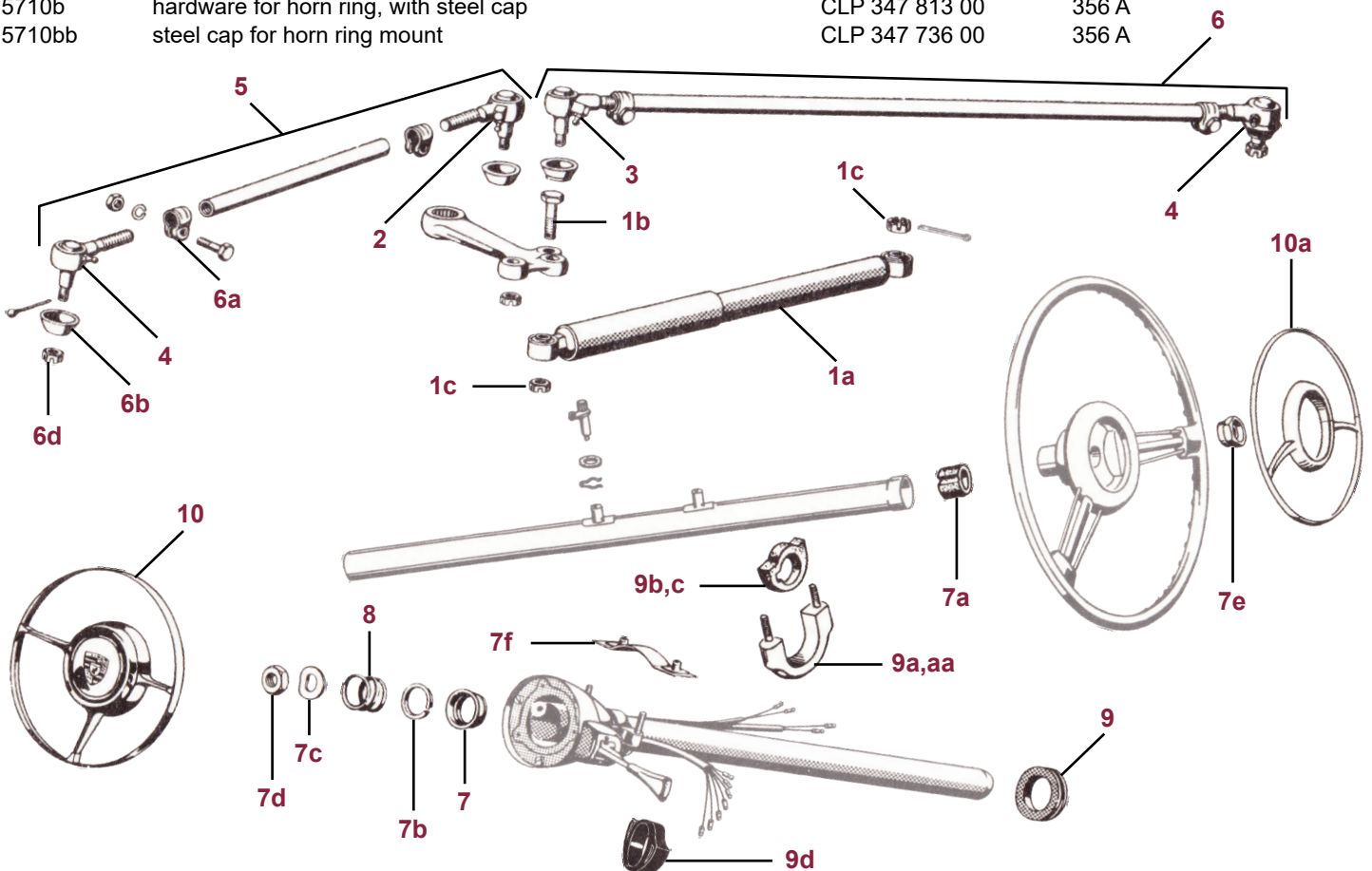




5624	king pin kit, complete set for one car	695 341 992 00	all 356
5624a	thrust washer for pivot pin, available 3,30 - 4,30 mm	356 41 46x	all 356
5624b	pivot pin, oversize, 2/10 taller	CLP 341 675 11	all 356
5624cl	suspension arm link, left	695 341 043 00	all 356
5624cr	suspension arm link, right	695 341 044 00	all 356
5625	suspension arm link pin repair kit, complete set for one car, with all rubbers and shims, 52-pieces	695 341 993 00	all 356
5625a	suspension arm link pin repair kit, complete set for one car, with all rubbers and shims, 52-pieces, bronze	695 341 993 00	all 356
5625b	bushing for suspension arm link, 1. oversize, 28,20 mm	CLP 41 407 XX	all 356
5625c	bushing for suspension arm link, 2. oversize, 28,55 mm	CLP 41 407 XX	all 356
5631	seal for „ZF“ steering box	900 113 003 50	356 A T2 - C
5631a	seal for „VW“ steering box		356 - A T1
5632	seal for „ZF“ steering box	900 113 004 50	356 A T2 - C
5632a	seal for „VW“ steering box	900 113 002 51	356 - A T1
5633	locking plate for „ZF“ steering box, 2 required, zinc plated	644 347 149 01	356 A T2 - C
5633a	locking plate set for steering flange I and II, complete with hardware	644 347 681/281 00	all 356
5634	ground strap for steering coupling	CLP 47 104	all 356
5635	steering coupling	644 347 201 00	356 - B, 356 C Carrera 2
5635a	flange I, steering worm to coupling	644 347 203 00	all 356
5635b	flange II, coupling to steering shaft	644 347 204 00	all 356
5635c	spacer for longer steering column, 35 mm, optional	356 47 103	356 B/C 356 - B, 356 C Carrera 2
5635d	hardware set for steering coupling	695 347 201 01	356 C, not 356 C Carrera 2
5636	Gelenkscheibe für Lenkungskupplung (Hardyscheibe)	CLP 347 003 00	356 C, not 356 C Carrera 2
5636a	hardware set for steering coupling	904 331 531 02	904
5637	bushing "Flanbloc", 12 required (8 front and 4 rear)	904 331 531 03	904, 906, 917
5637a	bushing "Flanbloc", 12 required (4 front and 8 rear)	904 305 021 00	904, 906, 917
5637b	bushing „Flanbloc“ for gearbox mount, 2 required		



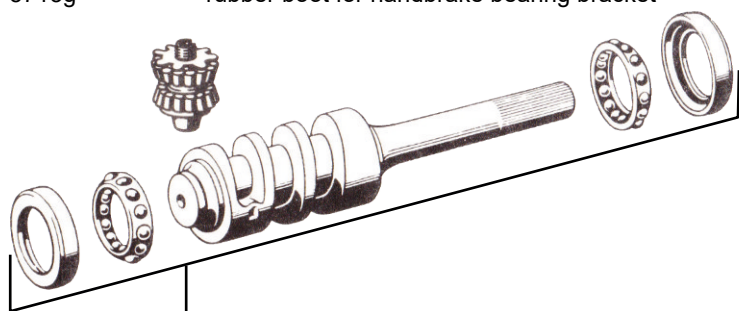
5700	short tie rod assembly	356 47 305	356 pre A
5700a	inner and outer tie rod end for long tie rod		356 pre A
5701a	steering shock absorber, „Koni“	695 347 501 10	all 356
5701aa	rubber bushing, for „Koni“ steering shock absorber, 2 required		all 356
5701b	screw for steering shock absorber, M10x52x1, complete with castellated nut, zinc plated	900 082 010 02	356 A - C
5701c	castellated nut M10x1, zinc plated	900 079 004 01	356 A - C
5702	inner tie rod end, left, cranked, right hand thread	644 347 321 02	356 A - C
5703	inner tie rod end, right, right hand thread	644 347 322 02	356 A - C
5704	outer tie rod end, left or right, left hand thread	644 347 325 02	356 A - C
5705	short tie rod assembly, left	644 347 311 01	356 A - C
5706	long tie rod assembly, right	644 347 312 01	356 A - C
5706a	clip for tie rod, 4 required	644 47 313	356 A - C
5706b	rubber dust cover for tie rod end	356 47 314	356 A - C
5706d	castellated nut, M10x1, zinc plated	900 079 004 01	356 A - C
5707	steering shaft bearing	695 347 711 00	356 B/C
5707a	bushing for steering column tube	644 347 711 00	356 A
5707b	supporting ring for steering shaft bearing	695 347 725 00	356 B/C
5707c	washer for steering wheel	N 012 239 01	all 356
5707d	hexagon nut for steering wheel	900 078 007 02	356 B/C
5707e	hexagon nut for steering wheel	356 47 201	356 A
5707f	nut support for steering column, zinc plated	644 502 922 05	356 B/C
5708	pressure ring for steering wheel	644 343 581 00 o.	356 B/C
		914 347 713 00	
5709	rubber grommet for steering shaft	644 347 931 00	all 356
5709a	bearing strap for steering column	644 47 026 2	356 A Coupe/Cabrio
5709aa	bearing strap for steering column	644 47 026	356 A Speedster
5709b	rubber sleeve for steering column	644 47 213 1	356 A Coupe/Cabrio
5709c	rubber sleeve for steering column	644 47 213	356 Speedster/Convertible D
5709d	rubber sleeve for steering column	644 347 755 05	356 B/C
5710	chrome horn ring, complete with horn button, ready to use	644 347 085 05	356 B/C
5710a	full horn ring, ready to use, tan painted	644 347 811 01	356 A
5710b	hardware for horn ring, with steel cap	CLP 347 813 00	356 A
5710bb	steel cap for horn ring mount	CLP 347 736 00	356 A



# steering and front wheel bearings

- 5711 repair kit for „ZF“ steering box, complete with steering worm, follower, all bearings and seals
- 5711a follower for „ZF“ steering box, without roller bearings
- 5711b „ZF“ steering box
- 5711bb steering box, with pitman arm, alternative part
- 5711bc steering box, with pitman arm, alternative part
- 5711c rubber seal for steering box cover
- 5711d mounting clamp for „ZF“ steering box
- 5711f castellated nut for „ZF“ pitman arm
- 5712a inner front wheel bearing (ball bearing)
- 5712b inner front wheel bearing (roller bearing)
- 5712c inner front wheel bearing (roller bearing)
- 5712d inner front wheel bearing (roller bearing)
- 5712e outer front wheel bearing (ball bearing)
- 5712f outer front wheel bearing (roller bearing)
- 5712g outer front wheel bearing (roller bearing)
- 5713 ball joint, 25 mm, above
- 5713a ball joint, 35 mm, lower
- 5713c below seal for steering rack
- 5713d bushing for rear sway bar, 4 required
- 5713e bushing for front sway bar, 2 required
- 5713f seal ring for ball joint, 8 required
- 5713g rubber boot for handbrake bearing bracket

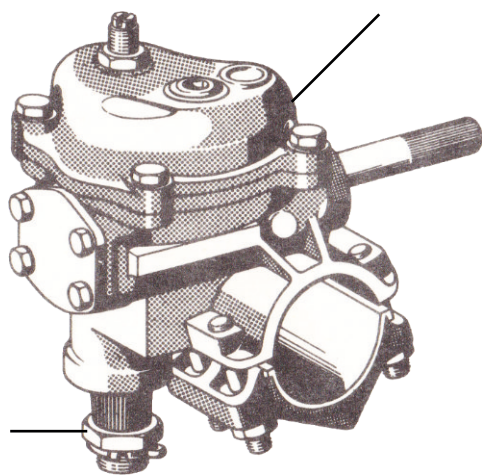
- CLP 347 010 kit 356 A T2 - C
- 644 347 134 01 356 A T2 - C
- 644 347 010 01 356 A T2 - C
- CLP 47 010 356 pre A
- CLP 47 011 356 A T1
- 644 504 921 00 356 - B T5
- 644 347 141 01 356 A T2 - C
- 900 079 010 00 356 A T2 - C
- 900 053 006 00 356 - A T1
- 900 059 003 00 356 - A T1
- 900 059 001 00 356 A T2 - B
- 999 059 018 00 356 C
- 900 053 005 00 356 - A T1
- 900 059 002 00 356 A T2 - B
- 999 059 065 00 356 C
- 904 341 047 00 904 GTS
- 904 341 048 00 904 GTS
- 904 347 391 00 904 GTS
- 904 333 791 00 904 GTS
- 904 341 539 00 904 GTS
- 904 331 523 00 904 GTS
- 904 424 591 00 904 GTS



11

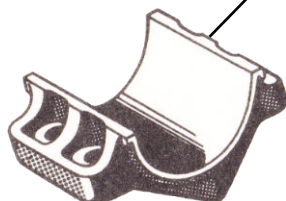


11a



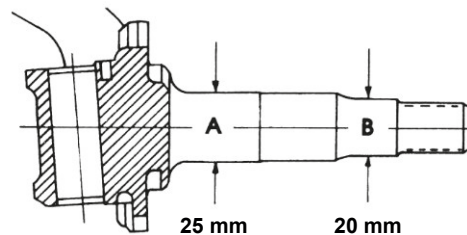
11b-bc

11f

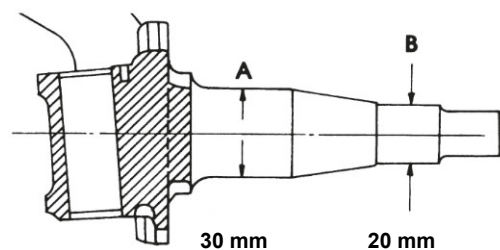


11d

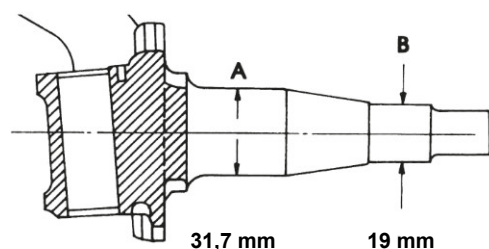
356 - 356 A T1



356 A T2 - 356 B T6



356 C

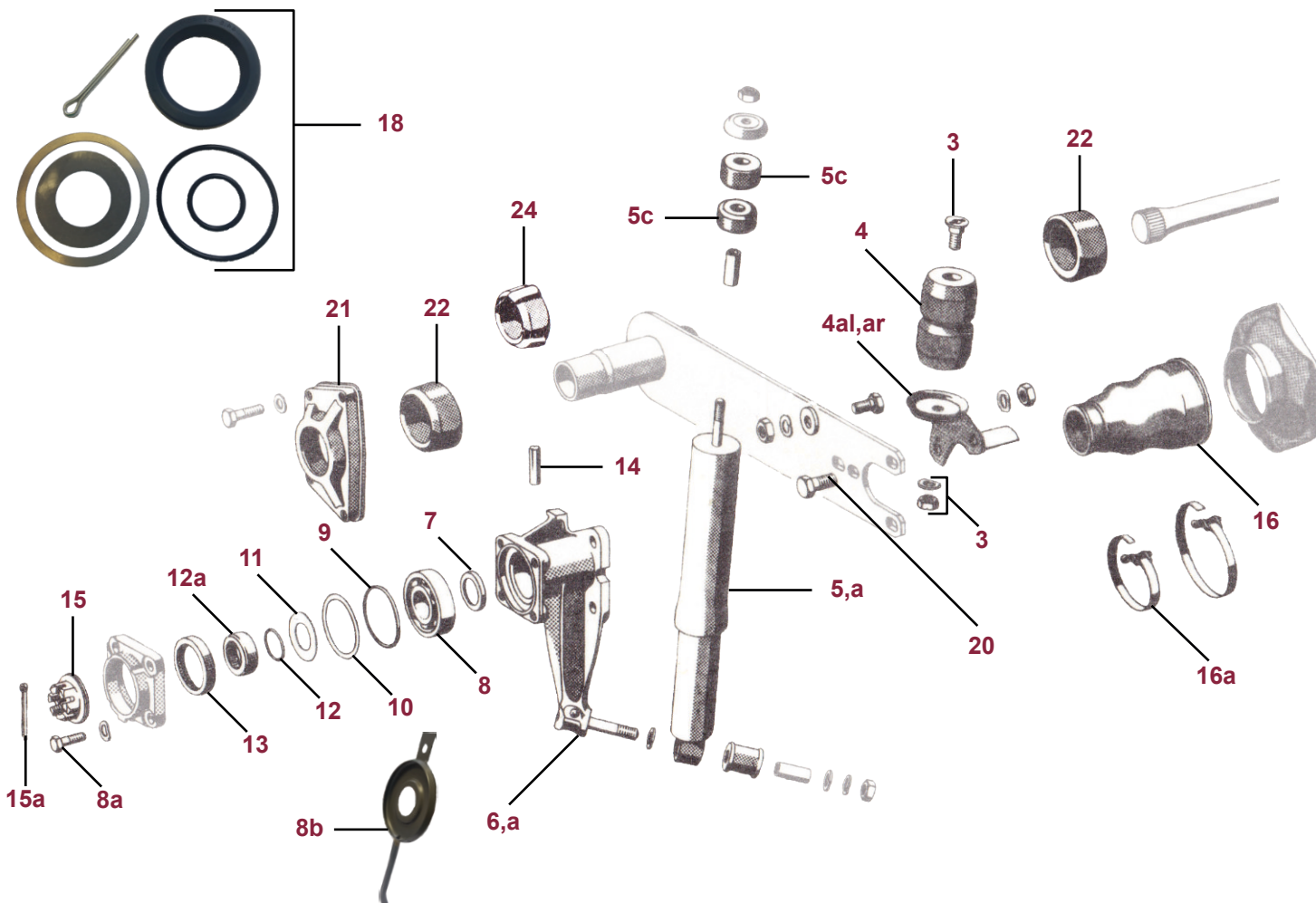




# rear axle 356 - B drum brakes

*Classic parts*

5803	special bolt and nut for rear buffer, zinc plated	644 34 205	356 A - B
5804	rubber buffer	644 34 206	356 - B
5804al	angle support for rubber buffer, left	644 34 023	356 A - B
5804ar	angle support for rubber buffer, right	644 34 024	356 A - B
5805	rear shock absorber, „Koni“, red, adjustable	356 34 155	356 pre A
5805a	rear shock absorber, „Koni“, red, adjustable	644 333 131 00	356 A - C
5805ab	hexagon bolt and nut for rear shock absorber		356 pre A
5805c	rubber grommet for rear shock absorber, above, 2 required		356 A - C
5806	bearing housing for rear axle, left	644 34 011	356 A - B
5806a	bearing housing for rear axle, rechts	644 34 012	356 A - B
5807	spacer for rear wheel bearing	644 331 231 00	all 356
5808	rear wheel bearing	900 052 006 00	all 356
5808a	fasteing screw for bearing cover, 4 required per side, alternative part	999 074 006 01	356 - B
5808b	oil deflector for rear brake drum	356 34 031	356 A T2
5809	O-ring for bearing cover, only for drum brake	356 34 144	356 - B
5810	shim for bearing, 0,1mm, as required	356 344 10	356 - B
5811	washer between bearing and spacer	356 34 402	all 356
5812	gasket between bearing and spacer, oval ring	356 34 142	all 356
5812a	spacer	356 34 401	356 - B
5813	oil seal	644 34 192	356 - B
5814	groove pin for bearing housing	N 012 801 1	all 356
5815	castellated nut for rear axle, zinc plated	644 332 271 00	all 356
5815a	splint pin for castellated nut	900 021 025 00	all 356
5816	axle boot, solide original type	644 34 191	all 356
5816a	hose strap for axle boot, 2 required per side	999 512 103/104 02	all 356
5817	axle boot, split version for repair purpose, with hardware	644 34 191 1	all 356
5818	rear axle seal kit, only for drum brakes, 2 required per car	CLP 34 411	all 356
5820	screw set for radius arm, 42 pieces, zinc plated		all 356
5821	cover for radius arm hub, with hole	644 333 151 01	356 - B
5822	rubber bushing for raduis arm hub, inner or outer	644 333 131 00	all 356
5824	rubber bushing for radius arm hub, outer	644 333 131 01	356 BT6/C

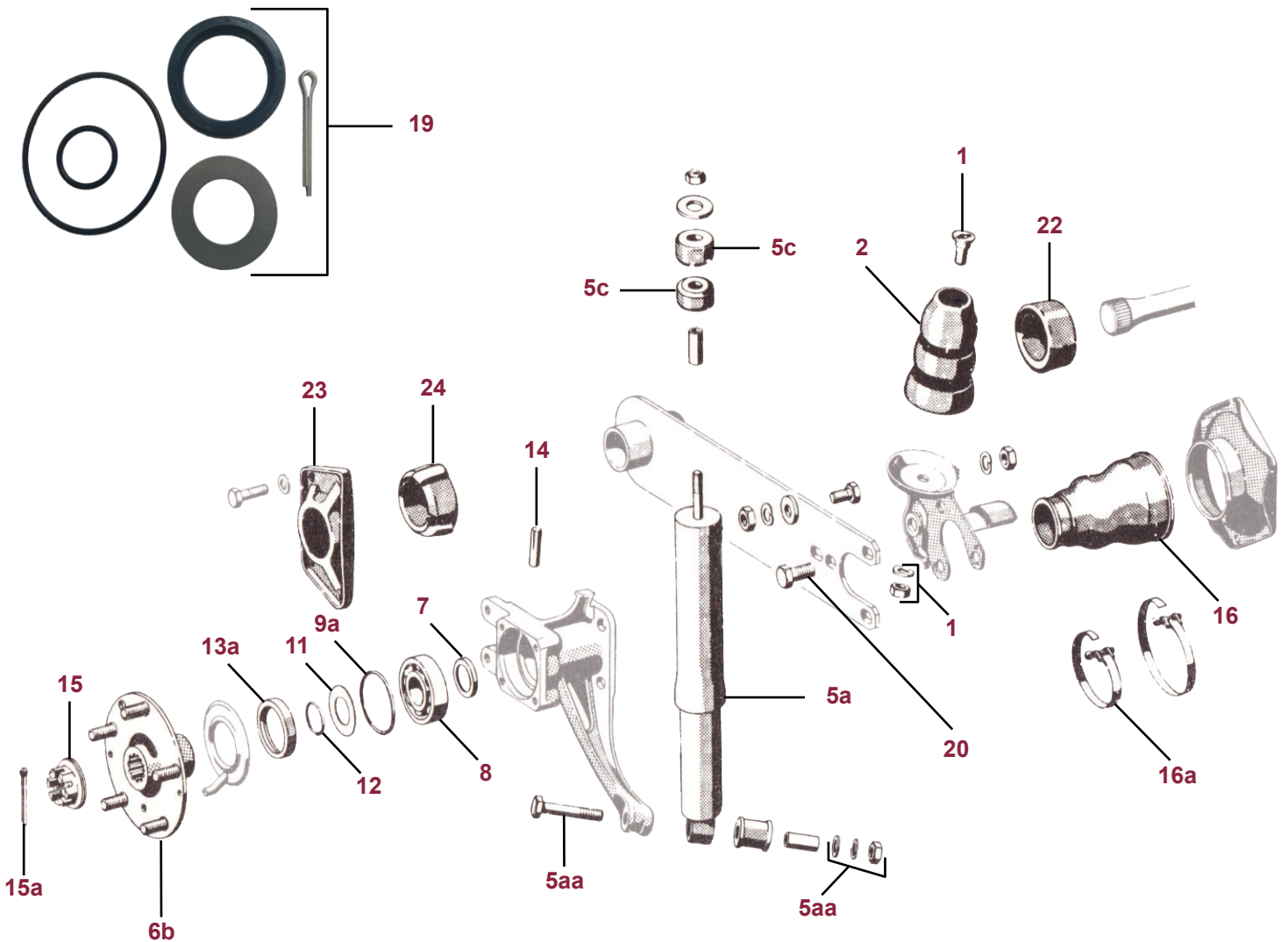


# rear axle 356 C

## disc brakes

*Classic parts*

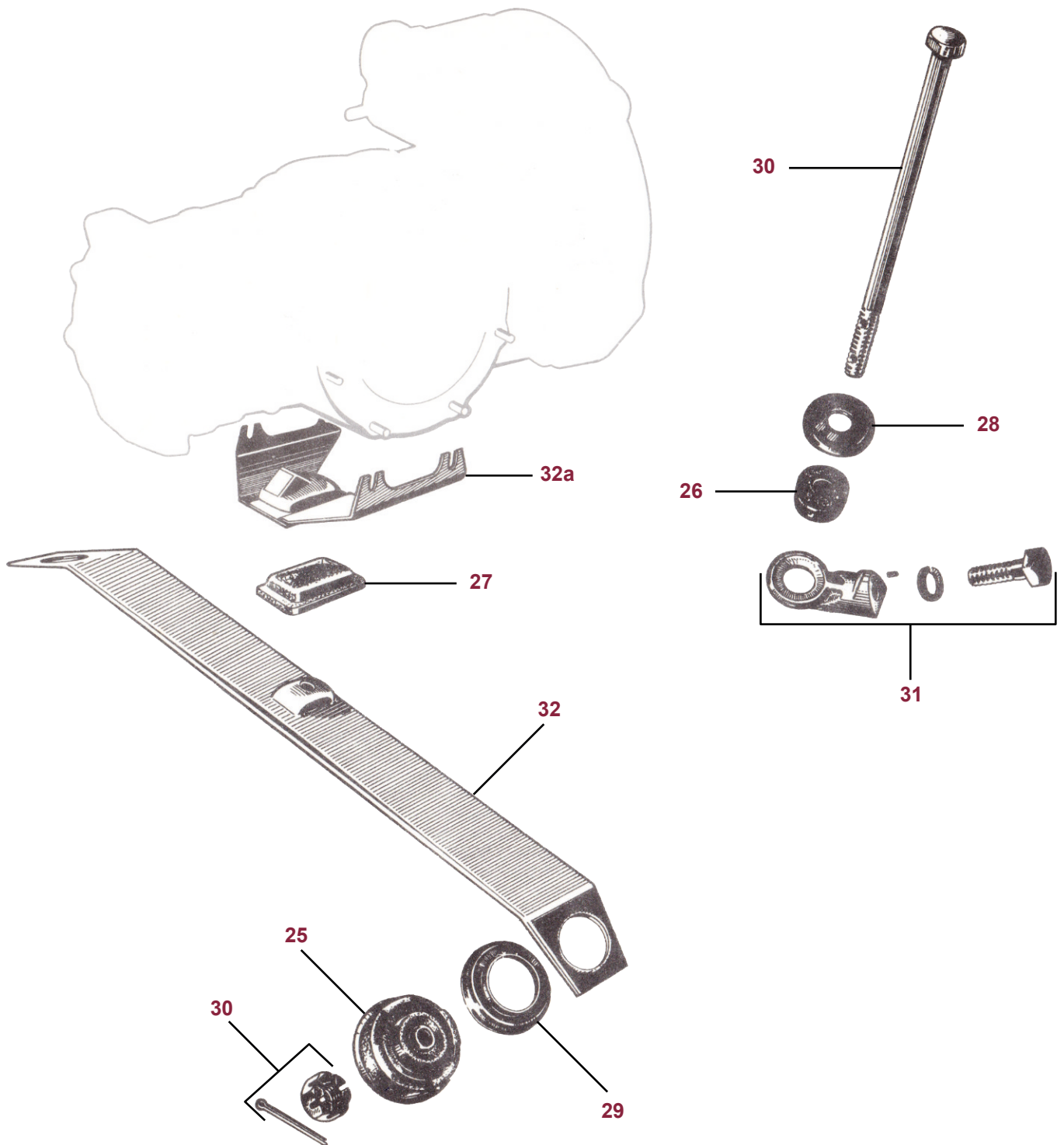
5801	special bolt and nut for rear buffer, zinc plated	695 333 513 00	356 C
5802	rubber buffer	695 333 311 00	356 C
5805a	rear shock absorber, „Koni“, red, adjustable	644 333 131 00	356 A - C
5805aa	screw for rear shock absorber	900 082 011 02	356 C
5805c	rubber grommet for rear shock absorber, above, 2 required		356 A - C
5806b	rear axle hub, with wheel studs	695 331 903 00	356 C
5807	spacer for rear wheel bearing	644 331 231 00	all 356
5808	rear wheel bearing	900 052 006 00	all 356
5809a	O-ring for bearing cover, only for disc brake	999 701 092 50	356 C
5811	washer between bearing and spacer	356 34 402	all 356
5812	gasket between bearing and spacer, oval ring	356 34 142	all 356
5813a	oil seal	999 113 038 50	356 C
5814	groove pin for bearing housing	N 012 801 1	all 356
5815	castellated nut for rear axle, zinc plated	644 332 271 00	all 356
5815a	splint pin for castellated nut	900 021 025 00	all 356
5816	axle boot, solide original type	644 34 191	all 356
5816a	hose strap for axle boot, 2 required per side	999 512 103/104 02	all 356
5817	axle boot, split version for repair purpose, with hardware	644 34 191 1	all 356
5819	rear axle seal kit, only for disc brakes, 2 required per car	CLP 34 402	356 C
5820	screw set for radius arm, 42 pieces, zinc plated		all 356
5822	rubber bushing for raduis arm hub, inner or outer	644 333 131 00	all 356
5823	cover for radius arm hub, without hole	695 333 151 01	356 C
5824	rubber bushing for radius arm hub, outer	644 333 131 01	356 BT6/C



# rear axle compensating spring

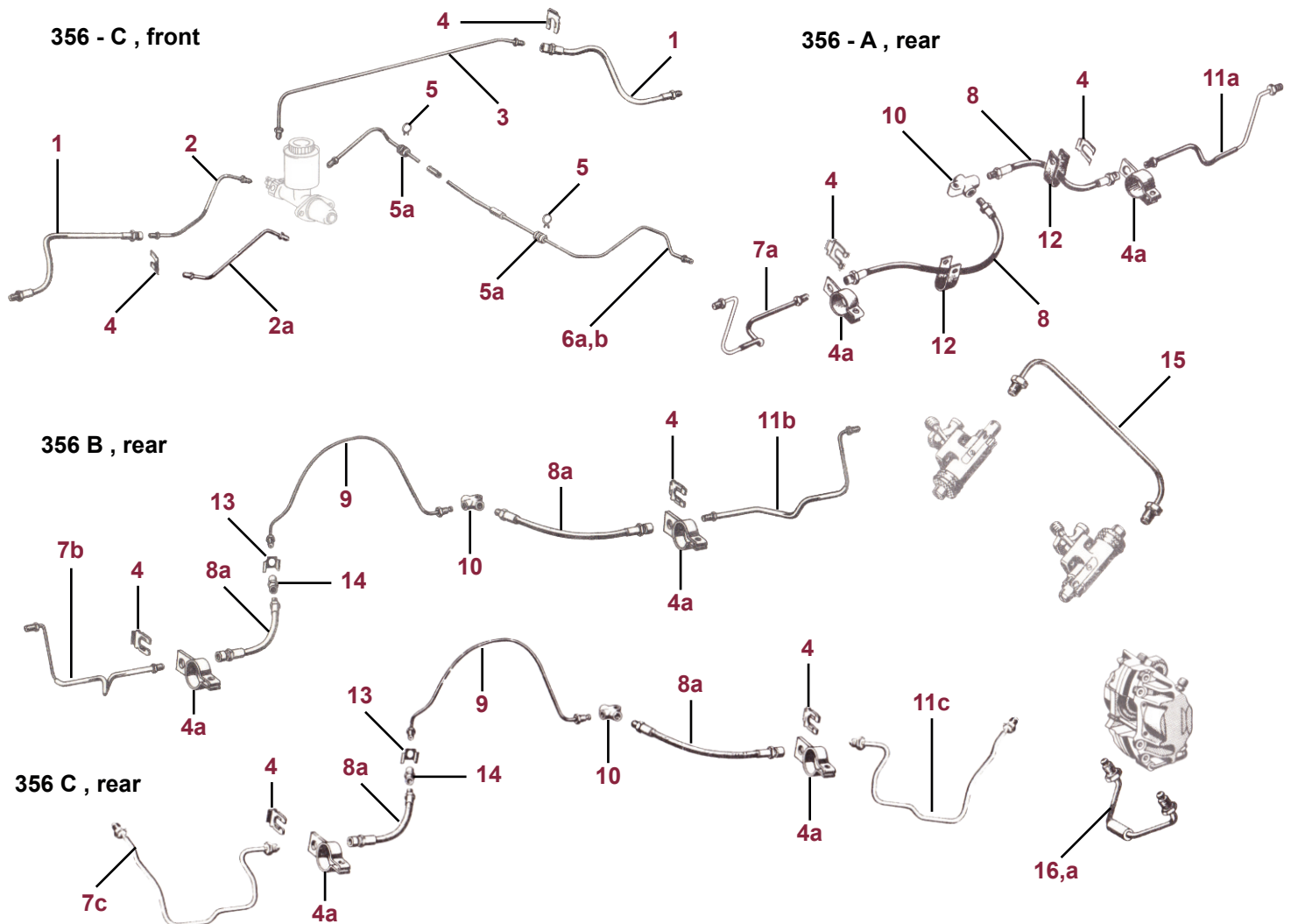
5825	elastic bearing for compensating spring, below, 2 required	695 333 207 00	Super 90, Carrera
5826	upper rubber joint for compensating spring, 2 required	695 333 235 00	Super 90, Carrera
5827	rubber mount for compensating spring	695 333 221 00	Super 90, Carrera
5828	upper plate for rubber joint, 2 required	695 333 233 00	Super 90, Carrera
5829	centering plate for elastic bearing, 2 required	695 333 205 00	Super 90, Carrera
5830	tiebolt, complete with hardware, zinc plated, 2 required	695 333 241 01	Super 90, Carrera
5831	supporting plate, with hardware, left or right, zinc plated	695 333 231 00	Super 90, Carrera
5832	compensating spring	695 333 021 00	Super 90, Carrera
5832a	spring support on early gearbox	695 333 025 00	Carrera

The compensating spring was available as an option for all 356 models.





5901	brake hose, front, left or right	644 42 311	all 356
5901a	brake hose, front, left or right	695 351 681 90	Carrera 2 GS, GT
5902	brake line, front left	644 42 313	356 - B T6
5902a	brake line, front left	695 355 313 00	356 C
5903	brake line, front right	644 42 314	all 356
5904	braket for brake hose, zinc plated, 4 required	356 42 121	all 356
5904a	clip for brake hose on rear axle tube, 2 required	644 351 651 00	all 356
5905	clamping clip for rubber grommet, 2 required	644 025 681 00	all 356
5905a	rubber grommet for center brake line, 2 required	914 355 651 00	all 356
5906a	center brake line	356 42 023	356 - A
5906b	center brake line, with rubber coating	695 352 602 01	356 B/C
5907a	brake line, rear left, with rubber coating	644 42 305	356 A
5907b	brake line, rear left, with rubber coating	695 352 605 00	356 B
5907c	brake line, rear left, with rubber coating	695 355 605 00	356 C
5908	brake hose, rear	356 42 028	356 - A
5908a	brake hose, rear	695 352 631 00	356 B/C
5909	brake line over gearbox	695 352 601 00	356 B/C
5910	distribution joint	914 355 667 00	all 356
5911a	brake line, rear right, with rubber coating	644 42 306	356 A
5911b	brake line, rear right, with rubber coating	695 352 606 00	356 B
5911c	brake line, rear right, with rubber coating	695 355 606 00	356 C
5912	suspension strap, 100 mm	999 706 009 80	356 A
5913	retaining spring for left rear brake hose, zinc plated	914 355 663 00	356 B/C
5914	connecting piece for left brake hose, zinc plated		356 B/C
5915	connecting line between wheel cylinders	356 42 184	356 A - B
5916	connecting line for brake caliper, front	901 351 925 10	356 C
5916a	connecting line for brake caliper, rear	901 352 939 10	356 C
5917	brake hose set, steel braided, front and rear, with TÜV certification		356 A
5918	brake hose set, steel braided, front and rear, with TÜV certification		356 B/C

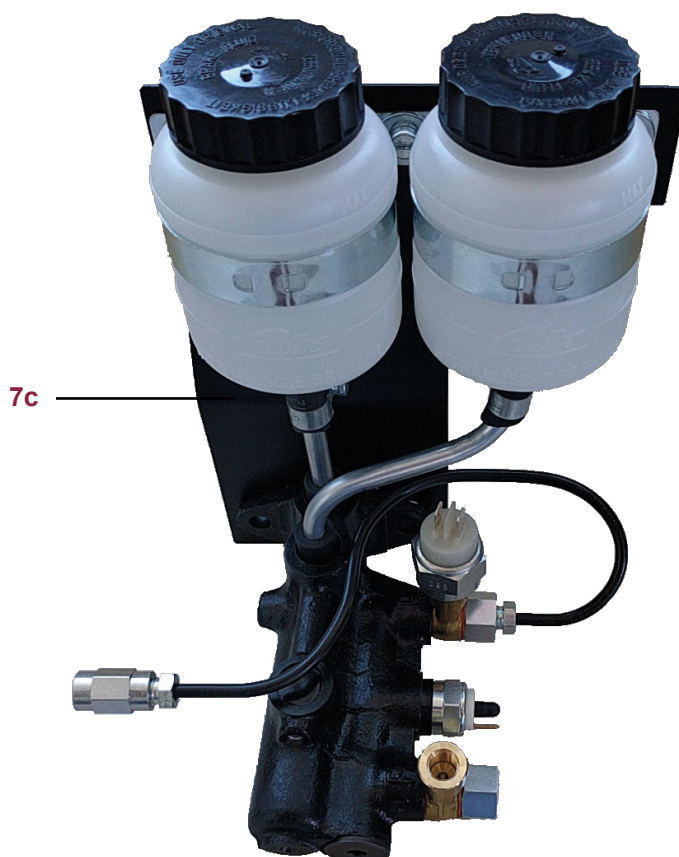


# brake system

## 356 - 356 B

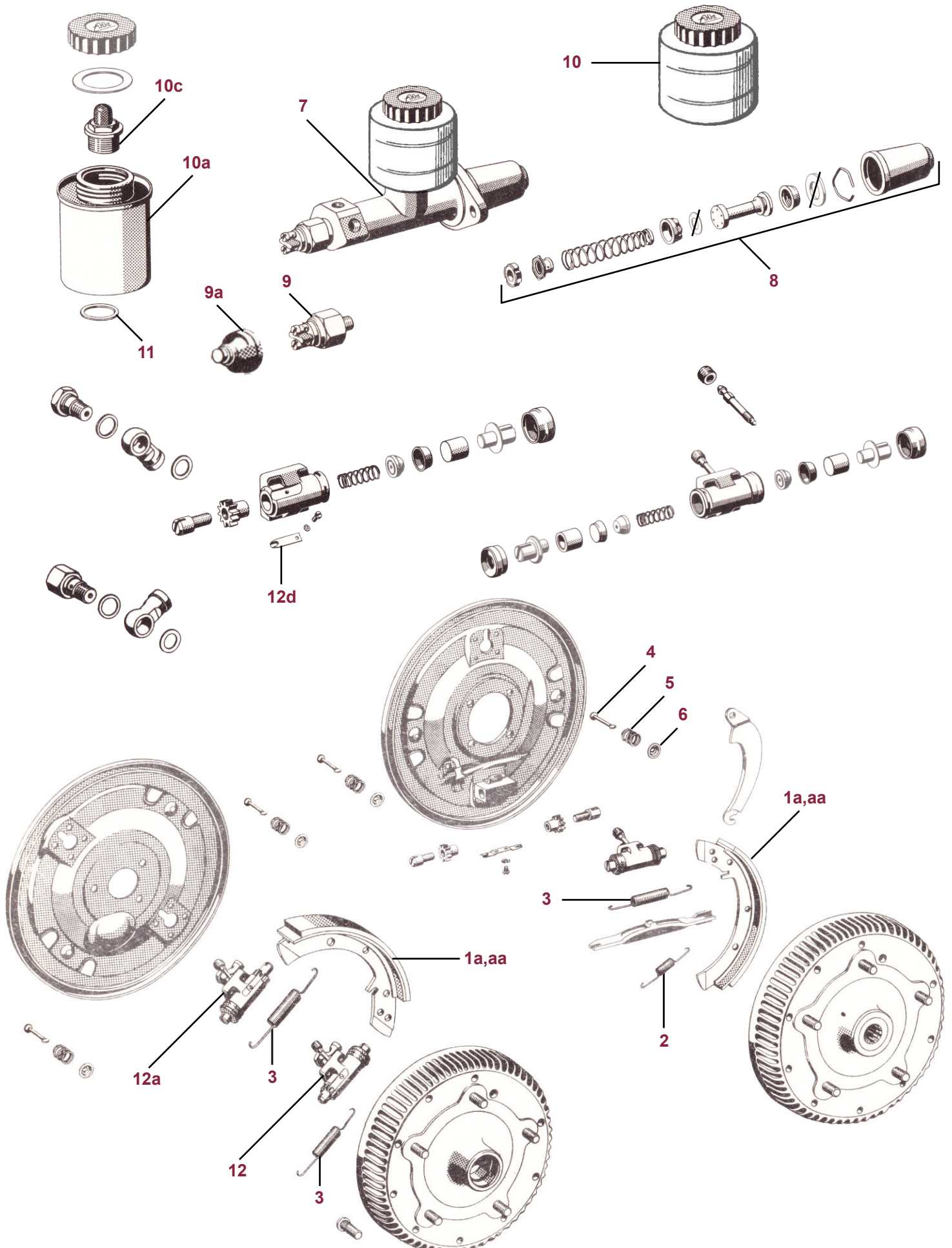
*Classic parts*

6001	brake shoe with lining, 60 mm, aluminium RS 60/61 Spyder, 280 mm diameter	695 351 033 10	356 B T5 GT and RSK
6001a	brake shoe with lining, 40 mm, 280 mm diameter	695 351 033 01	356 - B
6001aa	brake shoe with lining, 40 mm, machined to required brake drum diameter, wear limit 282,50 mm diameter	695 351 033 51	356 - B
6001c	brake shoe with lining, 60 mm, steel version, machined to required brake drum diameter, in exchange, wear limit 281 mm	695 351 035 XX	356 A GT, 550
6001d	brake shoe with lining, 60 mm, alu version, machined to required brake drum diameter, in exchange, wear limit 281 mm		356 B T5 GT Abarth and 718 Syder
6002	return spring, small, for brake shoe, 4 required	356 42 172	356 - B
6003	return spring, large, for brake shoe, 6 required	356 42 168	356 - B
6004	holding pin for brake shoe, 8 required	356 42 169	356 - B
6004a	holding pin for GT brake shoe, 60 mm, 8 required		356 A, 550 Spyder
6005	spring for brake shoe, 8 required	644 42 208	356 - B
6006	spring seat for brake shoe, 8 required	356 42 170	356 - B
6007	brake master cylinder, with reservoir and switch, OEM, „ATE“	356 42 020	356 - B
6007b	brake master cylinder for 356 B Carrera 2, only for annular brakes	695 351 501 90	356 B Carrera 2
6007c	dual brake master cylinder kit, complete and ready to use	CLP 355 012 02	356 A - B
6008	repair kit for brake master cylinder	695 351 911 00	356 - B
6009	stoplight switch	644 613 401 00	356 - B
6009a	rubber cap for stoplight switch		356 - B
6010	reservoir for brake master cylinder, plastic	CLP 42 091	356 - B
6010a	reservoir for brake master cylinder, aluminium	356 42 091	356 - B
6010b	reservoir for brake master cylinder and clutch		356 pre A, Spyder
6010c	threaded nipple with strainer	356 42 412	356 - B
6011	copper gasket for reservoir		356 - B
6012	wheel cylinder, front, lower left or upper right, complete, OEM, „ATE“	695 351 512 00	356 - B
6012a	wheel cylinder, front, lower right or upper left, complete, OEM, „ATE“	695 351 511 00	356 - B
6012b	intermediate plate for front wheel cylinder, aluminium, 60 mm GT brake, 4 req.	644 42 127	356 A/B GT
6012c	spacer for front wheel cylinder, 60 mm GT brake, 4 required	550 42 336	356 A/B GT
6012d	leaf spring for front wheel cylinder		356 - B
6012e	wheel cylinder, front, lower left or upper right, without banjo bolt and banjo ring, reproduction	CLP 351 512 00	356 - B
6012f	wheel cylinder, front, lower right or upper left, without banjo bolt and banjo ring, reproduction	CLP 351 511 00	356 - B



# brake system 356 - 356 B

*Classic parts*





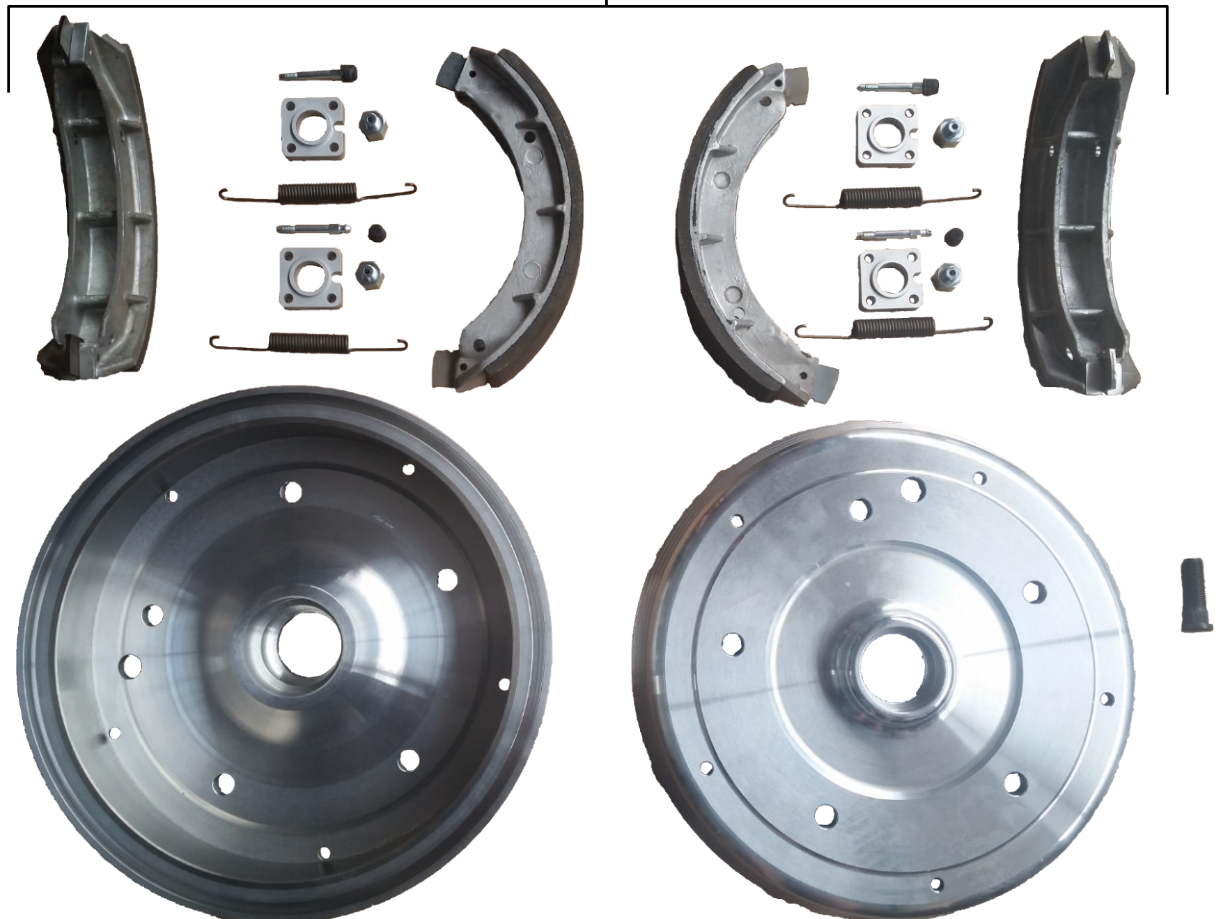
# brake system

## 356 - 356 B

*Classic parts*

6013	wheel cylinder, rear, left or right, OEM, „ATE“	644 352 513 01	356 - B
6013a	leaf spring for rear backing plate, 2 required	356 42 174	356 - B
6013aa	oval head screw for leaf spring		356 - B
6013b	wheel cylinder, rear, left or right, reproduction	CLP 352 513 01	356 - B
6014	repair kit for wheel cylinder, 8 required	644 351 912 01	356 - B
6015	wheel cylinder spring, 8 required	695 351 518 00	356 - B
6017	wheel cylinder piston, 8 required	CLP 351 521 00	356 - B
6018	adjusting screw	356 42 114	356 - B
6019	adjusting nut	356 42 173	356 - B
6020	dust cap	901 351 927 10	356 - B
6021	bleeder with dust cap	695 351 524 00	356 - B
6021a	bleeder with dust cap, long version for GT-brake	356 42 169	356 A/B GT
6022	banjo bolt for front lower wheel cylinder	999 135 002 02	356 - B
6023	banjo ring, front lower, left or right	999 215 027 02	356 - B
6024	copper gasket for banjo ring, 10x16 mm	N 013 806 2	356 - B
6025	banjo bolt for front or rear wheel cylinder	901 355 531 00	356 - B
6026	banjo ring	914 355 531 00	356 - B
6027	copper gasket for banjo ring, 10x16 mm	900 123 004 00	356 - B
6028	copper gasket for banjo ring, 12x16 mm	900 123 005 20	356 - B
6029	wheel stud, standard	356 34 132	356 - B
6031	brake drum, front, with wheel studs, OEM	695 341 061 01	356 B
6031a	brake drum, 60 mm, GT version, only for export or racing	644 42 045	356 A/B GT
6031aa	airchannel with screen for vented backing plate, specify if A or B backing plate	CLP 351 011/012 10	356 A/B GT
6031b	brake drum, front, with wheel studs, OEM	356 41 023	356 - A
6032	brake drum, rear, with wheel studs, OEM	695 331 061 01	356 B
6032a	brake drum, rear, with wheel studs, OEM	644 331 063 00	356 - A
6033	GT brake system, 60 mm, with aluminium brake shoes and complete hardware	644 42 045	356 A/B GT
6034	wheel stud for GT brake system	904 341 671 00	356 A/B GT, 718
6035	brake drum pair, 60 mm, front, left and right	718 341 061/062 02	718 Spyder

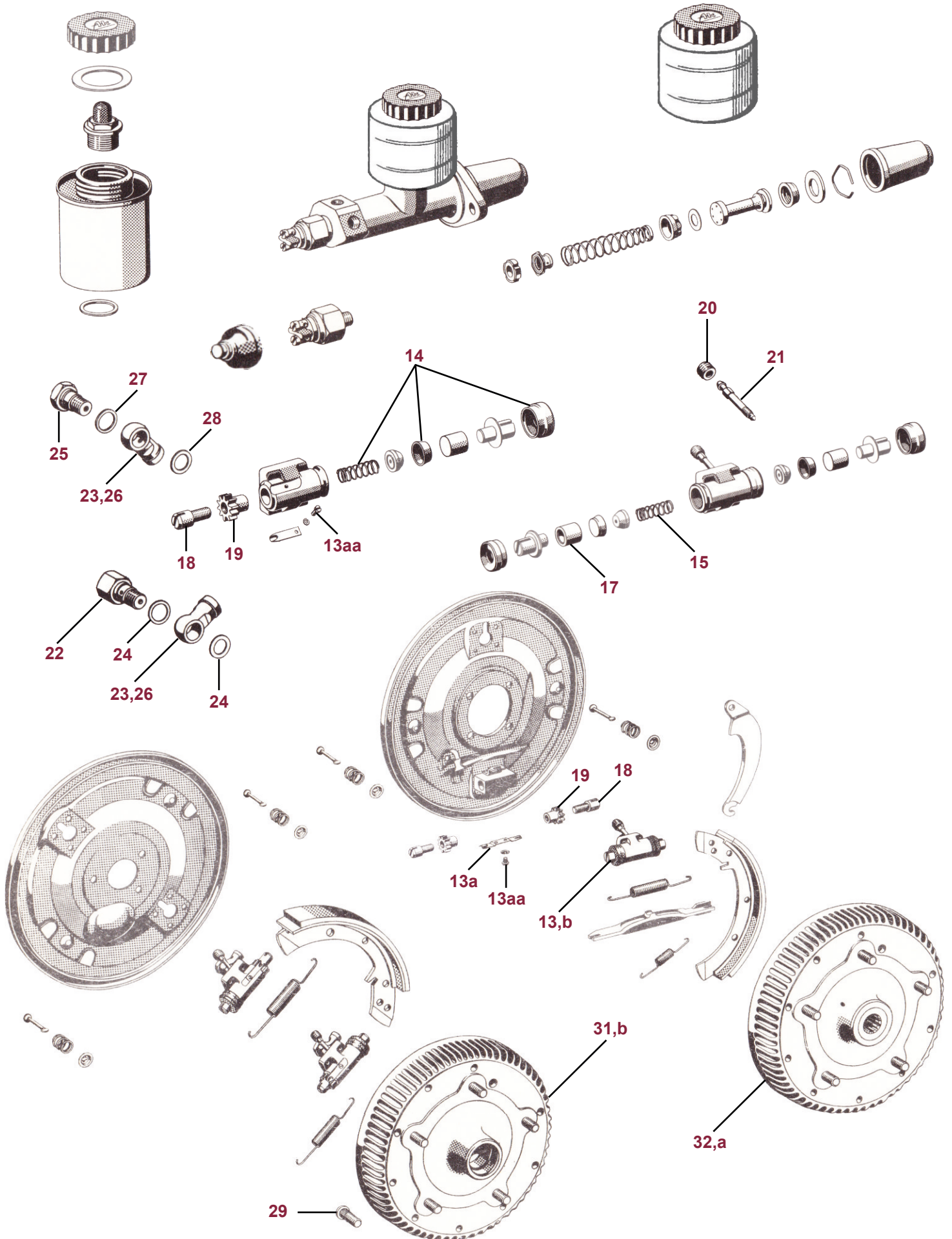
33



# brake system

## 356 - 356 B

*Classic parts*

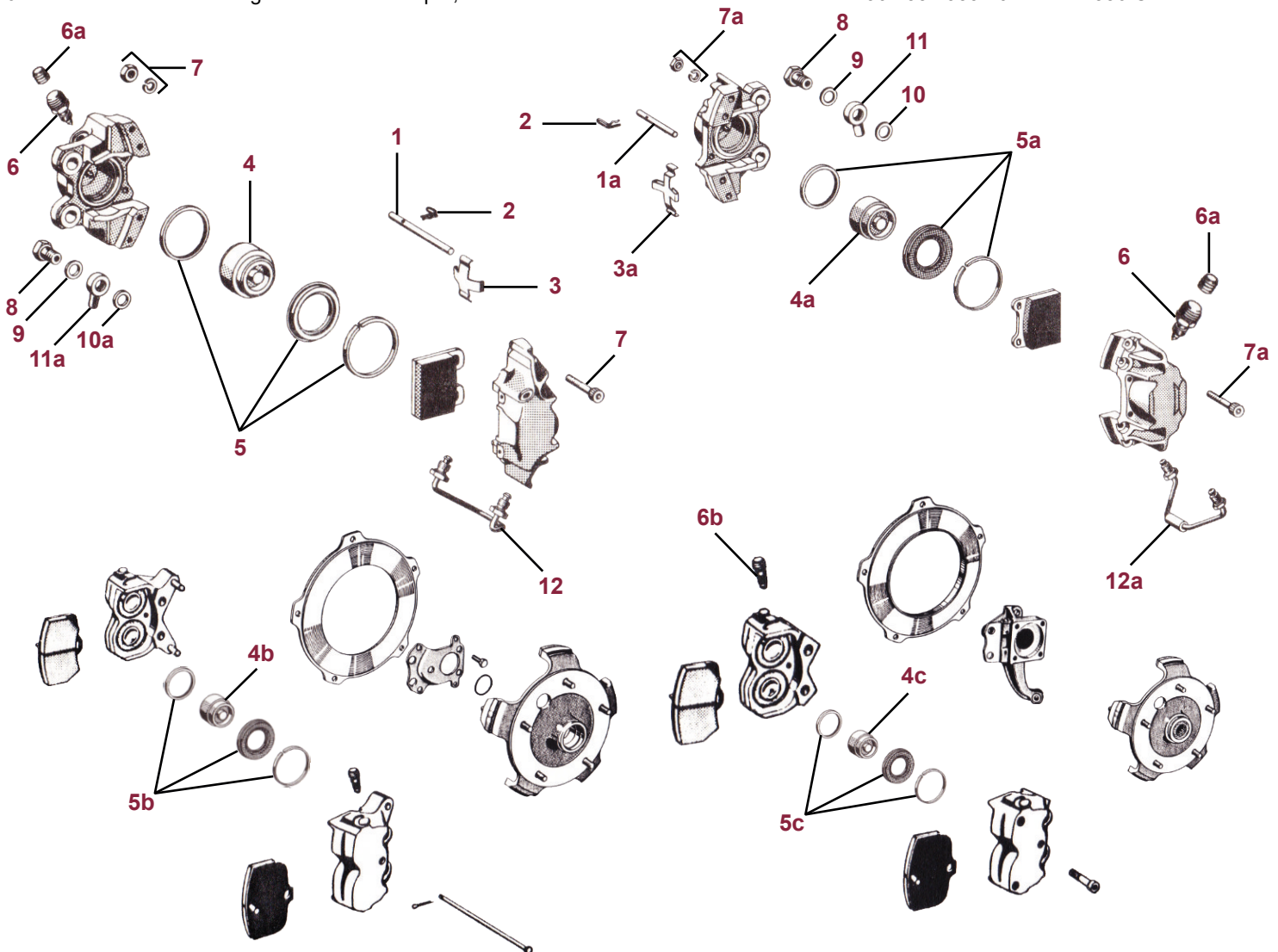


# brake system

## 356 C and Carrera 2

*Classic parts*

6101	retaining pin, front	901 351 913 14	356 C
6101a	retaining pin, rear	901 352 938 11	356 C
6102	safety clip	901 351 955 10	356 C
6103	expanding spring, front	901 351 916 12	356 C
6103a	expanding spring, rear	901 352 936 10	356 C
6104	caliper piston, front, 48 mm	CLP 351 097 00	356 C
6104a	caliper piston, rear, 35 mm	CLP 352 099 00	356 C
6104b	caliper piston, front, annular brake	695 351 065 90	356 B Carrera 2
6104c	caliper piston, rear, annular brake	693 352 065 90	356 B Carrera 2
6105	caliper repair kit, front, without piston	901 351 964 11	356 C
6105a	caliper repair kit, rear, without piston	901 352 964 11	356 C
6105b	repair set for annular brake, front, with cap, gasket and locking ring, 12 pieces, set for 1 caliper	695 351 067 91	356 B Carrera 2
6105c	repair set for annular brake, rear, with cap, gasket and locking ring, 12 pieces, set for 1 caliper	CLP 351 097 00	356 B Carrera 2
6106	bleeder valve with dust cap, front or rear	695 351 641 90	356C
6106a	dust cap		356 C
6106b	bleeder valve with dust cap, front or rear, annular brake	695 351 067 91	356 B Carrera 2
6107	tie bolt for caliper, front, 4 required per caliper	900 067 058 01	356 C
6107a	tie bolt for caliper, rear, 4 required per caliper	900 067 059 01	356 C
6108	banjo bolt	901 355 531 00	356 C
6109	copper gasket between bolt and ring, front or rear, 4 required	900 123 005 20	356 C
6110	copper gasket between ring and caliper, rear, 2 required	900 123 004 20	356 C
6110a	copper gasket between ring and caliper, front, 2 required	901 351 956 10	356 C
6111	banjo ring, rear	914 355 531 00	356 C
6111a	banjo ring, front	695 351 532 00	356 C
6112	connecting line for brake caliper, front	901 351 925 10	356 C
6112a	connecting line for brake caliper, rear	901 352 939 10	356 C



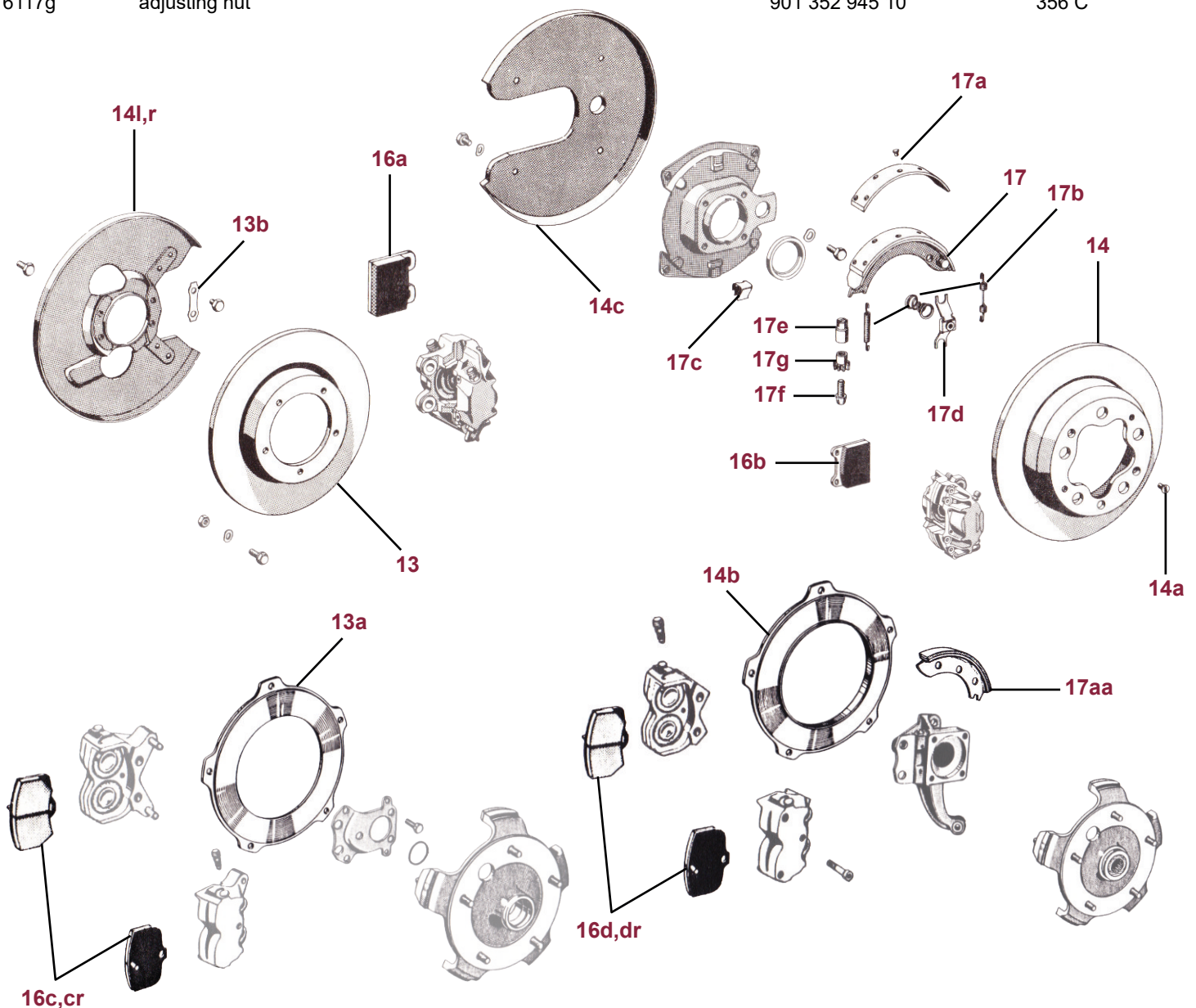


# brake system

## 356 C and Carrera 2

*Classic parts*

6113	brake disc, front	901 351 401 10	356 C
6113a	brake disc, annular brake, front	695 341 613 90	356 B Carrera 2
6113b	locking plate, front, 2 required per side	695 351 811 00	356 C
6114	brake disc, rear	901 352 401 11	356 C
6114a	screw for rear brake disc, 2 required per disc	900 269 047 01	356 C
6114b	brake disc, annular brake, rear	695 331 613 90	356 B Carrera 2
6114c	protecting sheet for rear brake disc	695 352 801 10	356 C
6114l	protecting sheet for front brake disc, left	695 351 081 10	356 C
6114r	protecting sheet for front brake disc, right	695 351 082 10	356 C
6116a	brake pad set, front	901 351 912 10	356 C
6116b	brake pad set, rear	901 352 915 13	356 C
6116c	brake pad set for annular brake, front	695 351 067 91	356 B Carrera 2
6116cr	brake pad set for annular brake, front, only for racing		356 B Carrera 2
6116d	brake pad set for annular brake, rear	695 352 067 91	356 B Carrera 2
6116dr	brake pad set for annular brake, rear, only for racing		356 B Carrera 2
6117	hand brake shoe, complete with lining, 4 required per car	901 352 097 11	356 C
6117a	brake pad set for hand brake, complete with rivets	901 352 906 11	356 C
6117aa	hand brake shoe for annular brake, in exchange, 4 required per car	695 352 075 90	356 B Carrera 2
6117b	spring set for hand brake, 6 pieces	901 352 953/932/954 10	356 C
6117c	retaining spring for brake shoe, 4 required	901 352 941 10	356 C
6117d	expanding band spring for brake shoe, 4 required	911 352 090 00	356 C
6117e	supporting bushing	901 352 944 10	356 C
6117f	adjusting screw	901 352 943 10	356 C
6117g	adjusting nut	901 352 945 10	356 C



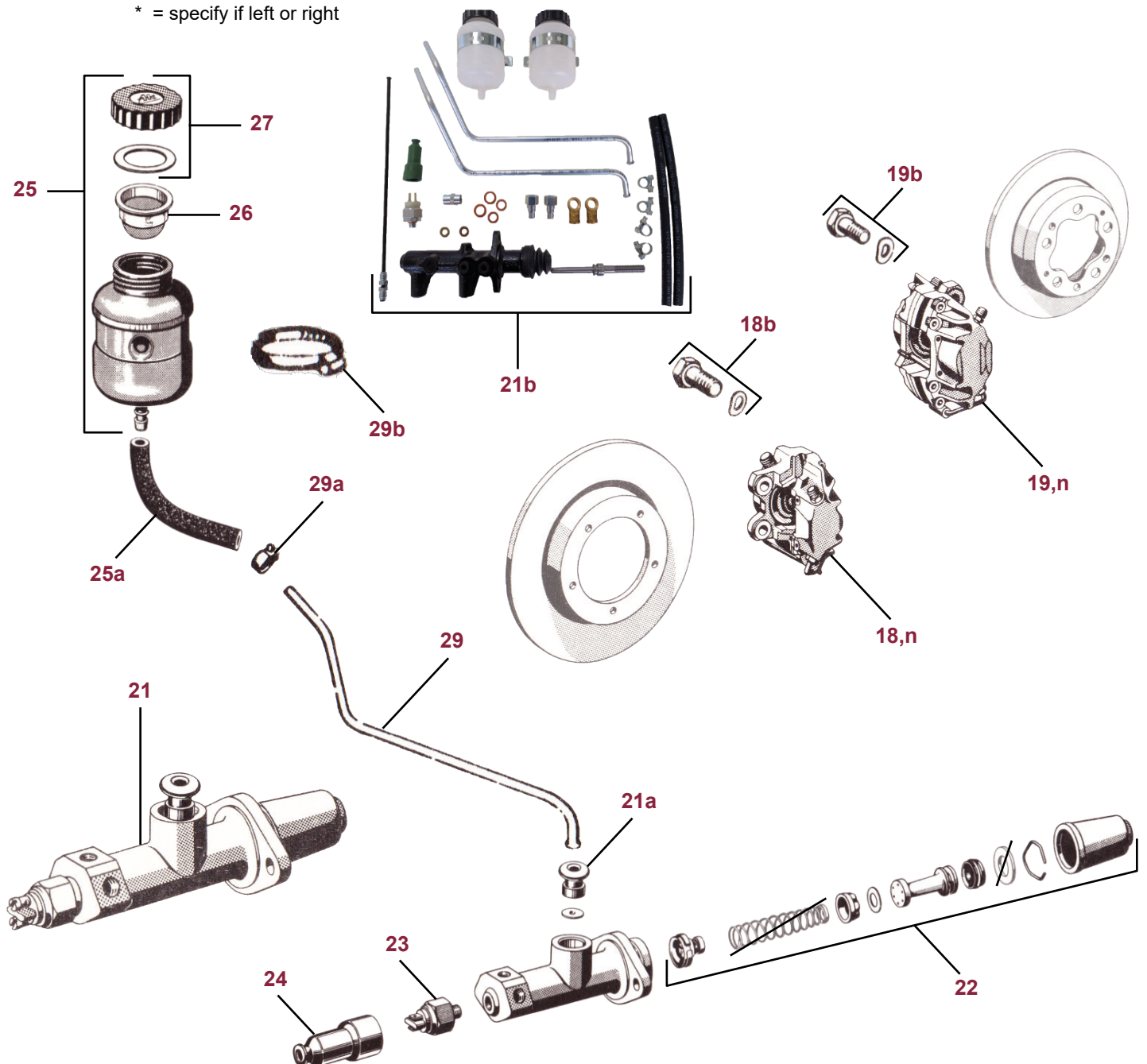
# brake system

## 356 C

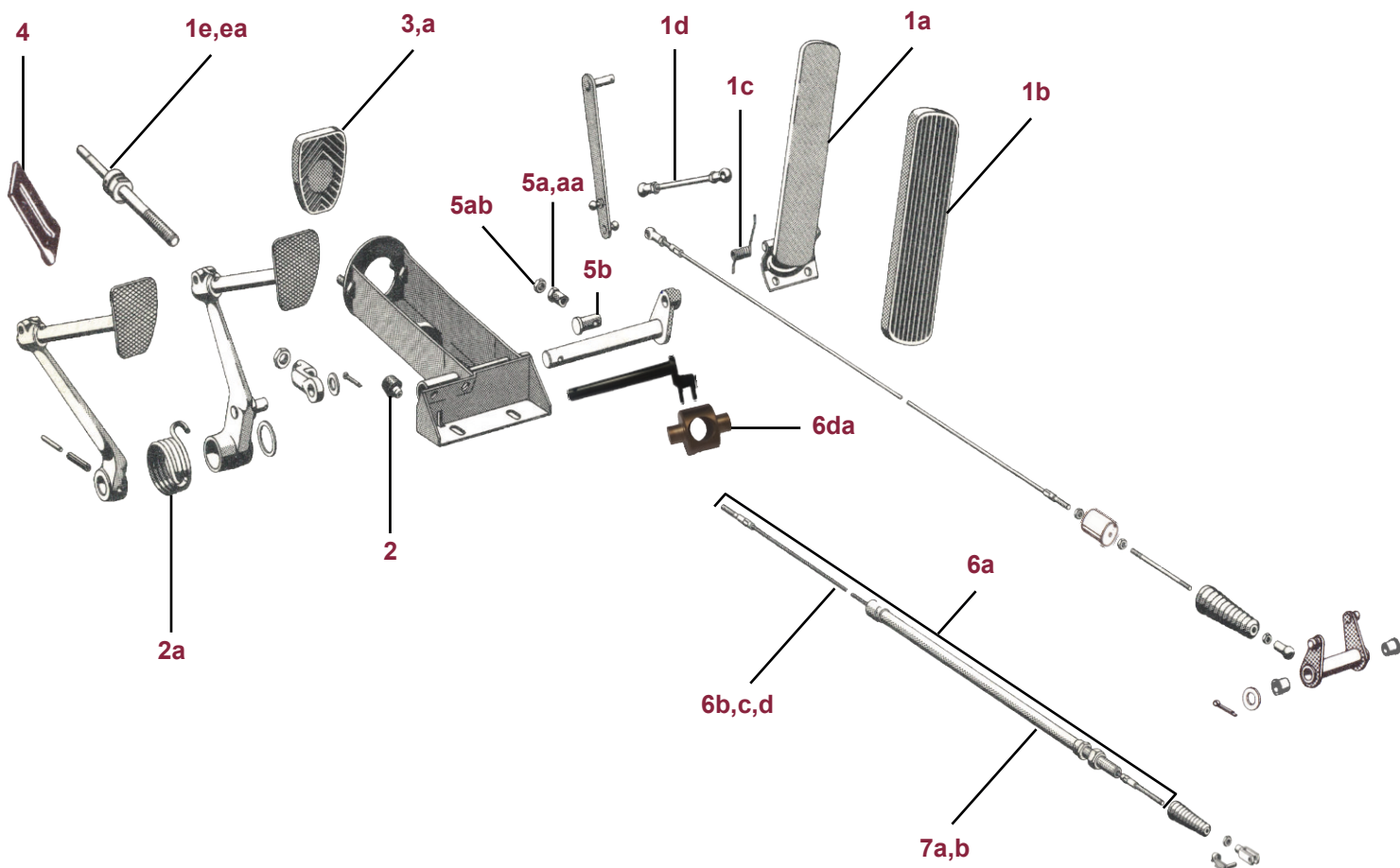
*Classic parts*

6118	caliper „ATE“, front, rebuild, in exchange *	695 351 067 91	356 C
6118b	hexagon screw for front caliper	900 082 006 01	356 C
6118n	caliper, front, reproduction *	CLP 351 965 10	356 C
6119	caliper „ATE“, rear, rebuild, in exchange *	901 352 965 10	356 C
6119b	hexagon screw for rear caliper	900 075 090 01	356 C
6119n	caliper, rear, reproduction *	CLP 352 965 10	356 C
6121	brake master cylinder, complete with switch	695 355 011 00	356 C
6121a	rubber grommet for brake master cylinder	901 355 929 00	356 C
6121b	dual brake master cylinder, complete with all parts	901 355 012 00	356 C
6122	repair kit for brake master cylinder	695 355 930 00	356 C
6123	brake light switch	901 613 401 00	356 C
6124	rubber cap for brake light switch, dark green	901 613 491 00	356 C
6125	reservoir for brake master cylinder	695 355 901/904/902 00	356 C
6125a	hose for reservoir	695 355 903 00	356 C
6126	strainer for reservoir	211 611 381 B	356 C
6127	cap and gasket for reservoir	695 355 902 00	356 C
6129	connection tube between brake master cylinder and reservoir	695 355 643 00	356 C
6129a	clamp for hose		356 C
6129b	clamp for reservoir	999 512 128 02	356 C

\* = specify if left or right

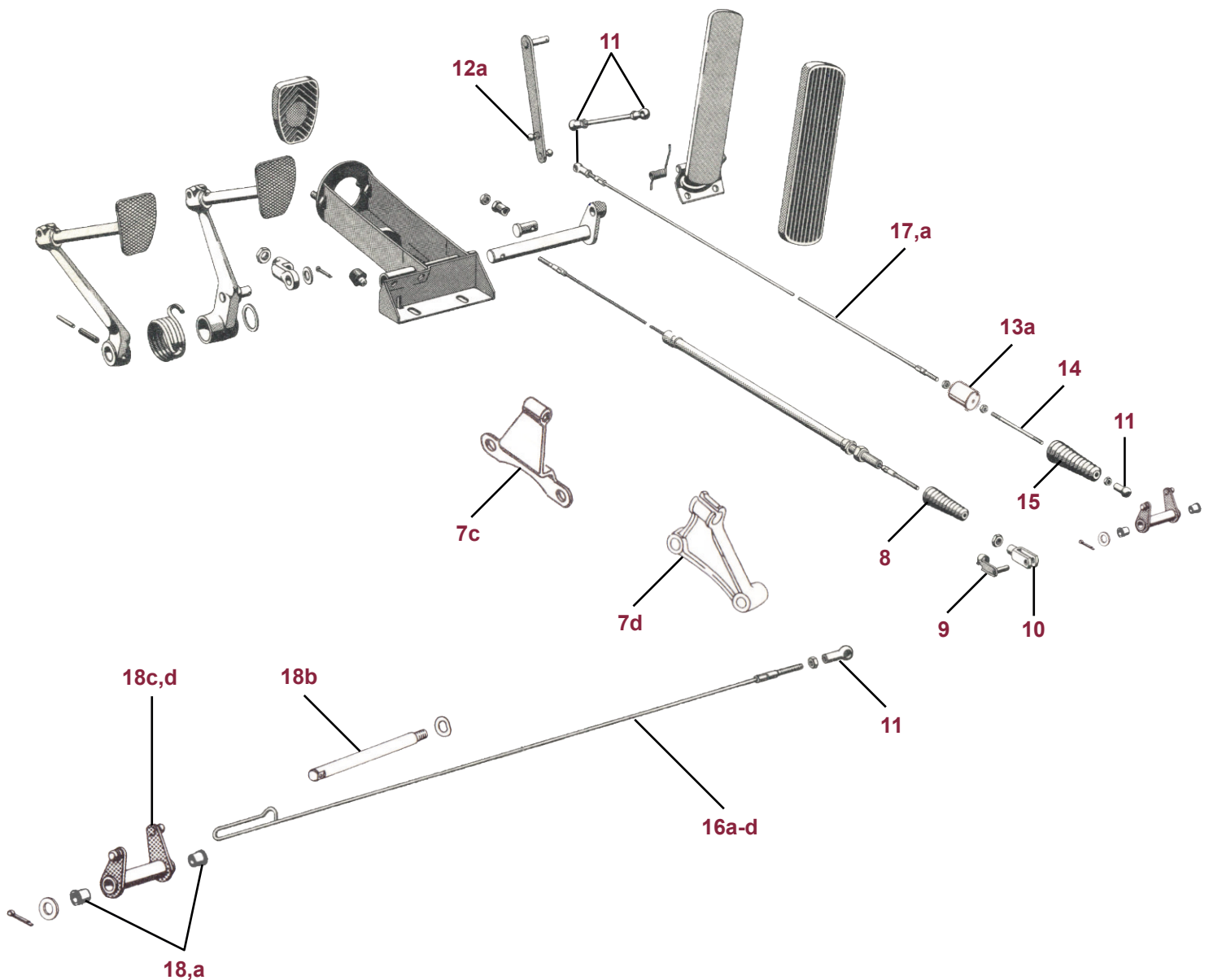


6201a	accelerator pedal, complete	644 23 011	356 A - C
6201b	rubber pad for accelerator pedal	356 23 326	356 A - C
6201c	return spring for accelerator pedal	644 23 131	356 A - C
6201d	pressure rod without ball sockets	CLP 23 134	356 A - C
6201e	push rod for brake master cylinder	356 42 029	all 356
6201ea	push rod for brake master cylinder, only for dual brake system	CLP 42 029	all 356
6202	buffer for pedal	901 423 528 00	356 A - C
6202a	spring for brake pedal	644 23 305	356 A - C
6203	brake or clutch pedal pad	914 423 210 00	356 A - C
6203a	brake or clutch pedal pad	356 23 105	356 pre A
6204	clutch pedal stop	644 551 640 00	all 356
6205a	clutch cable adjusting nut, M 6	644 23 220	356 - early B T6
6205aa	clutch cable adjusting nut, M 7	695 423 407 00	late 356 B T6 - C
6205ab	counter nut, M 7	N 011 007 03	late 356 B T6 - C
6205b	anchor pin for clutch cable up to VIN 120622 or 210692 or 156897	644 23 219	356 A/B
6206a	clutch cable with housing	356 23 058	356 pre A
6206aa	adjusting nut M 6 for clutch cable, up to gearbox no. 25000	356 23 213	early 356 A
6206b	clutch cable, 2057 mm (6mm / 8mm ends)	644 423 208 01	early 356 A
6206ba	adjusting nut M 8 for clutch cable, above gearbox no. 25000	356 23 213.1	late 356 A - early B T6
6206c	clutch cable, 2015 mm (6mm / 6mm ends)	644 423 401 00	late 356 A - early B T6
6206d	clutch cable, 2023 mm (6mm / 7mm ends)	644 423 401 01	late 356 B T6 - C
6206da	clutch cable pivot	695 423 405 00	late 356 B T6 - C
6206e	clutch cable	904 423 401 01	904
6207a	housing for clutch cable, 375 mm	644 23 209	356 A
6207b	housing for clutch cable, 490 mm	695 423 421 01	356 B/C

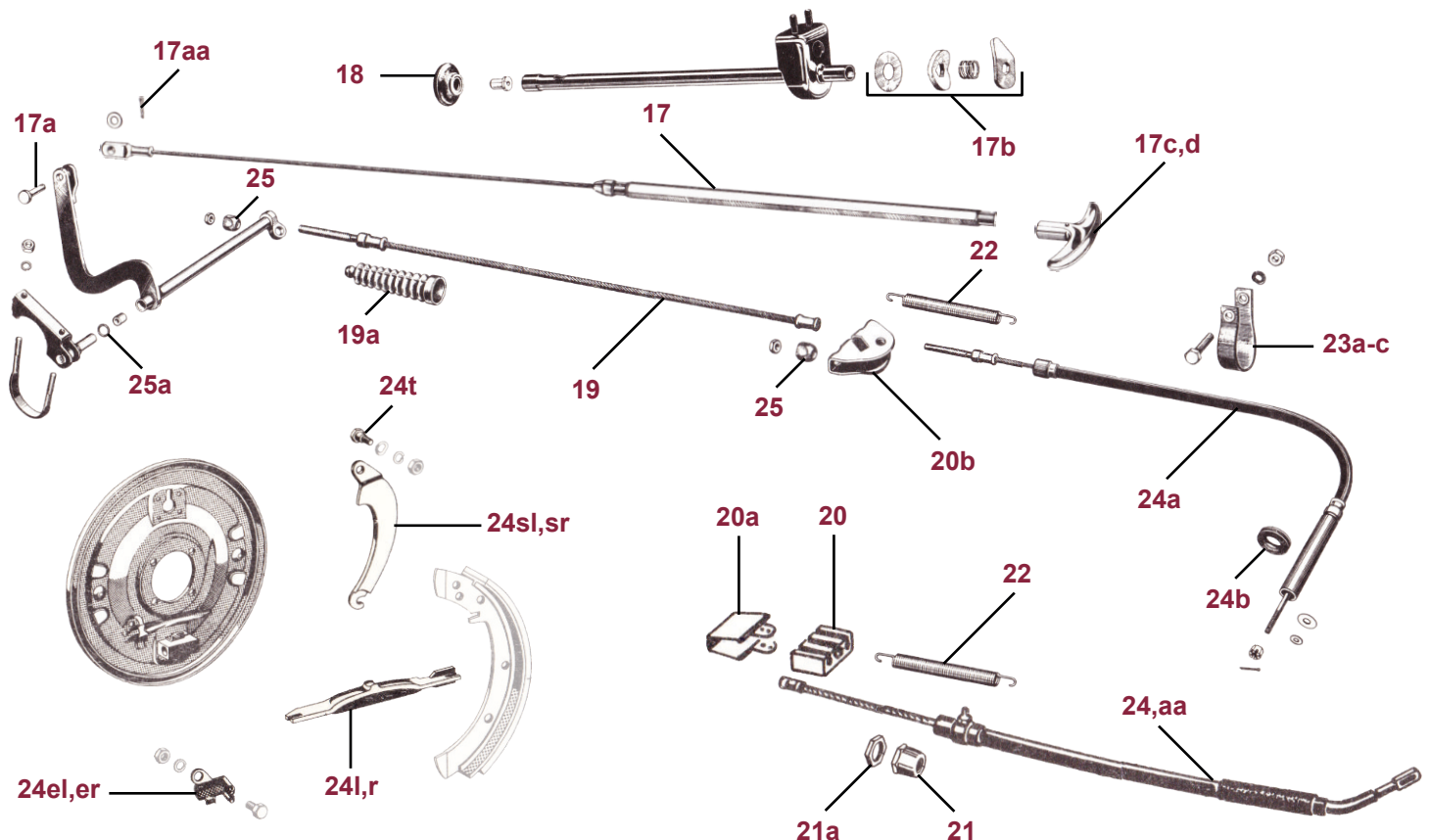




6207c	bracket for clutch cable, type 519, 644, 716	519 23 327	356 - A
6207d	bracket for clutch cable, type 741	644 23 327	356 B/C
6208	boot for end of clutch cable	695 423 922 00	all 356
6209	clevis bolt for clutch cable	CLP 423 003 00	late 356 A - C
6210	clevis for clutch cable	CLP 423 002 00	late 356 A - C
6211	ball socket	900 169 001 02	all 356
6212a	ball pin	CLP 167 022 02	all 356
6213a	accelerator cable connector	695 423 081 02	all 356
6214	accelerator linkage rod	695 423 133 00	all 356
6215	accelerator linkage boot	356 23 204	all 356
6216a	accelerator pull rod, 605 mm	695 423 016 00	early 356 B T5
6216b	accelerator pull rod, 545 mm	695 423 016 01	early 356 B T5
6216c	accelerator pull rod, 520 mm	695 423 016 02	356 - A
			and 356 B T6/C
6216d	accelerator pull rod, 885 mm	695 423 016 10	Carrera
6216e	accelerator cable	904 423 066 00	904
6217	accelerator pull rod, tunnel	CLP 423 014 00	356 B/C
6217a	accelerator pull rod, tunnel	356 23 019	356 - A
6218	bell crank bushing set	914 423 211 00	356 B/C
6218a	bell crank bushing set, bronze	CLP 423 211 00	356 B/C
6218b	bolt for bell crank	914 301 307 00	356 B/C
6218c	bell crank, with bushings, above gearbox no. 35000	695 423 021 01	all 356
6218d	bell crank, without bushings, gearbox no. 11001 - 25000	644 23 014	all 356



6316	hand brake assembly, complete, reproduction		356 pre A
6316a	hand brake cable, front	356 24 052	356 pre A
6317	brake stick with cable, without handle	644 24 025	356 A - C
6317a	bolt for brake stick handle	900 088 001 02	356 A - C
6317aa	split pin for brake stick handle	900 021 001 00	356 A - C
6317b	hand brake lock repair kit, 4 pieces	644 24 228/233/229/231	356 A - C
6317c	handle for hand brake, chrome plated	644 24 215	356 A T1
6317d	handle for hand brake, chrome plated	644 24 215 1	356 A T2 - C
6318	boot for hand brake cable	644 24 216	356 A - C
6319	hand brake cable, front	644 24 208	356 A - C
6319a	rubber boot for front hand brake cable	356 23 204	356 A - C
6319b	front hand brake cable, without H-knob	356 23 026 o. 356 24 052	356 pre A
6320	coupling for hand brake cable	356 24 308	356 A - B
6320a	bow strap for cable coupling, zinc plated	356 24 309	356 A - B
6320b	coupling for hand brake cable	695 424 567 00	356 C
6321	adjusting sleeve for hand brake cable	644 424 575 01	356 - B
6321a	lock nut for adjusting sleeve	644 424 571 00	356 - B
6322	return spring for hand brake cable	644 424 531 00	356 A - C
6323a	suspension strap for rear brake hose, 100 mm	999 706 009 80	356 A
6323b	suspension strap for fuel hose, 185 mm	999 706 005 80	all 356
6323c	suspension strap for hand brake cable, 280 mm	999 706 260 80	all 356
6324	rear hand brake cable, with housing	644 242 38	356 A - B
6324a	rear hand brake cable, with housing	695 424 603 00	356 C
6324aa	rear hand brake cable, with housing	356 24 053	356 pre A
6324b	guide ring for hand brake cable, 2 required	695 424 611 00	356 C
6324c	rear hand brake cable, with housing	695 352 751 90	356 B Carrera 2
6324d	rear hand brake cable	904 424 901 00	904 GTS
6324el	bracket for hand brake cable, rear left	356 42 181	356 - B
6324er	bracket for hand brake cable, rear right	356 42 182	356 - B
6324l	pushbar for hand brake, left	356 42 197	356 - B
6324r	pushbar for hand brake, right	356 42 198	356 - B
6324sl	brake lever, rear left	356 42 147	356 - B
6324sr	brake lever, rear right	356 42 148	356 - B
6324t	anchor pin for brake lever	356 42 207	356 - B
6325	adjusting nut for hand brake cable	356 23 213	all 356
6325a	o-ring for hand brake crank	000 97 310	356 A - C

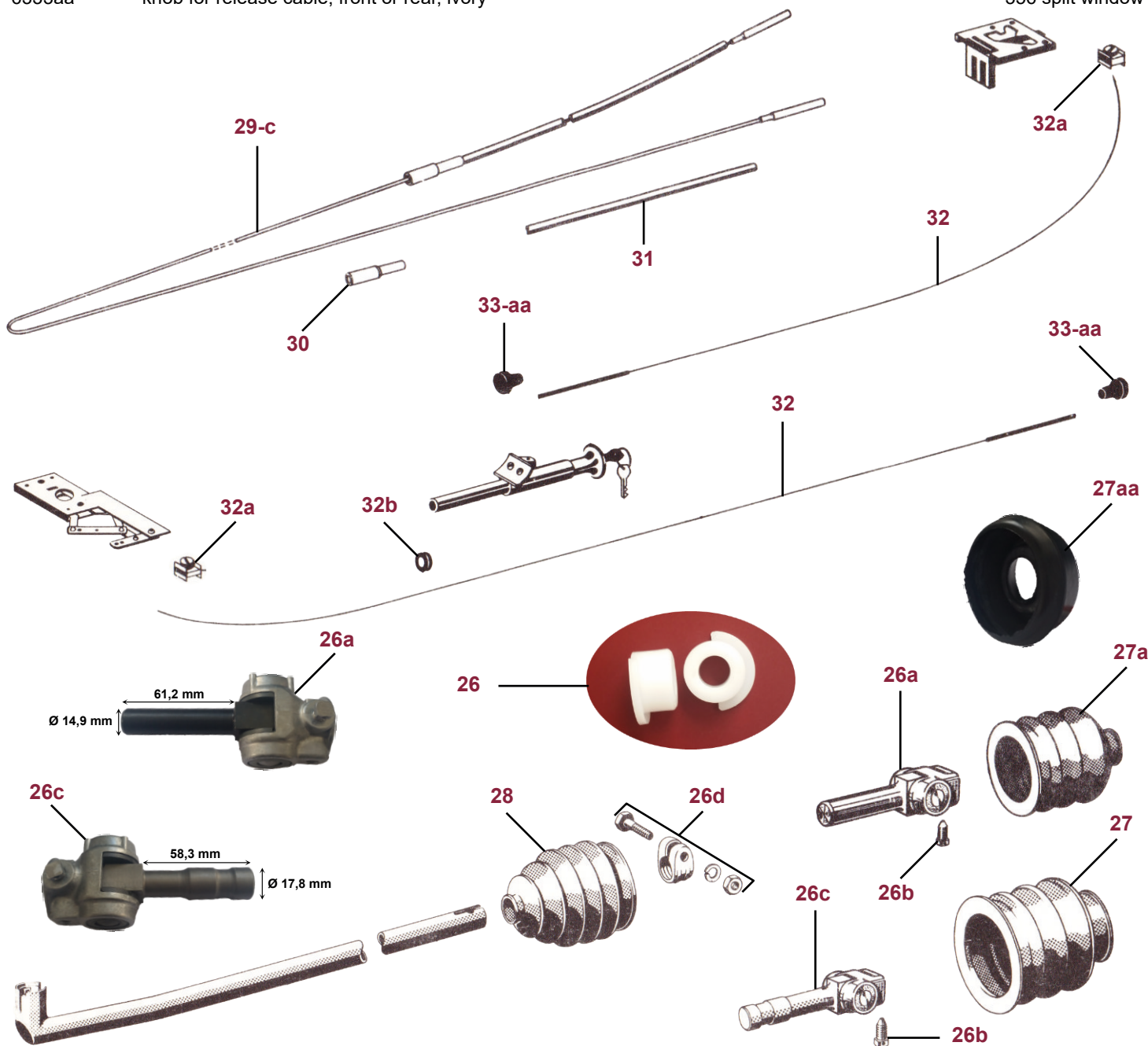


# gear change rod coupling heater & release cable

*Classic parts*

- 6326 repair kit for gear change rod coupling, 2 pieces
- 6326a gear change rod coupling, specify model
- 6326b screw for coupling
- 6326c gear change rod coupling, specify model
- 6326d clip/clamp for gear change rod, with screw
- 6327 boot on end of gear box, outside
- 6327a boot on end of gear box, outside
- 6327aa boot on end of gear box, outside
- 6328 boot on gear change rod, inside
- 6329 heater cable with tan „H“-knob
- 6329a heater cable, 2 required
- 6329b heater cable, 1625 mm
- 6329c heater cable, 1600 mm
- 6330 robber boot for heater cable, 2 required
- 6331 cover for heater cable, 2 required
- 6332 release cable, front or rear, without knob
- 6332a clip for release cable, front or rear
- 6332b grommet for support safety lock
- 6333 knob for release cable, front or rear, black
- 6333a knob for release cable, front or rear, specify colour
- 6333aa knob for release cable, front or rear, ivory

- 695 424 223 00
- 695 424 024 04
- 356 24 377
- 695 424 024 05
- 695 424 215 00
- 695 424 921 02
- 695 424 921 03
- 519 20 555
- 695 424 922 00
- 644 24 415
- 695 424 071 00
- 695 424 071 01
- 356 24 408
- 695 424 711 00
- 644 424 091 01
- 644 424 951 00
- 999 702 027 50
- 644 552 811 00 700
- 644 552 811 00
- 356 B - C
- 356 B T6/C
- 356 B - C
- 356 B T5
- 356 B - C
- 356 B T5
- 356 B T6/C
- 356 A
- 356 B - C
- 356 pre A
- 356 A
- 356 B
- 356 C
- all 356
- all 356
- all 356
- 356 A - C
- 356 B - C
- 356 A
- 356 split window





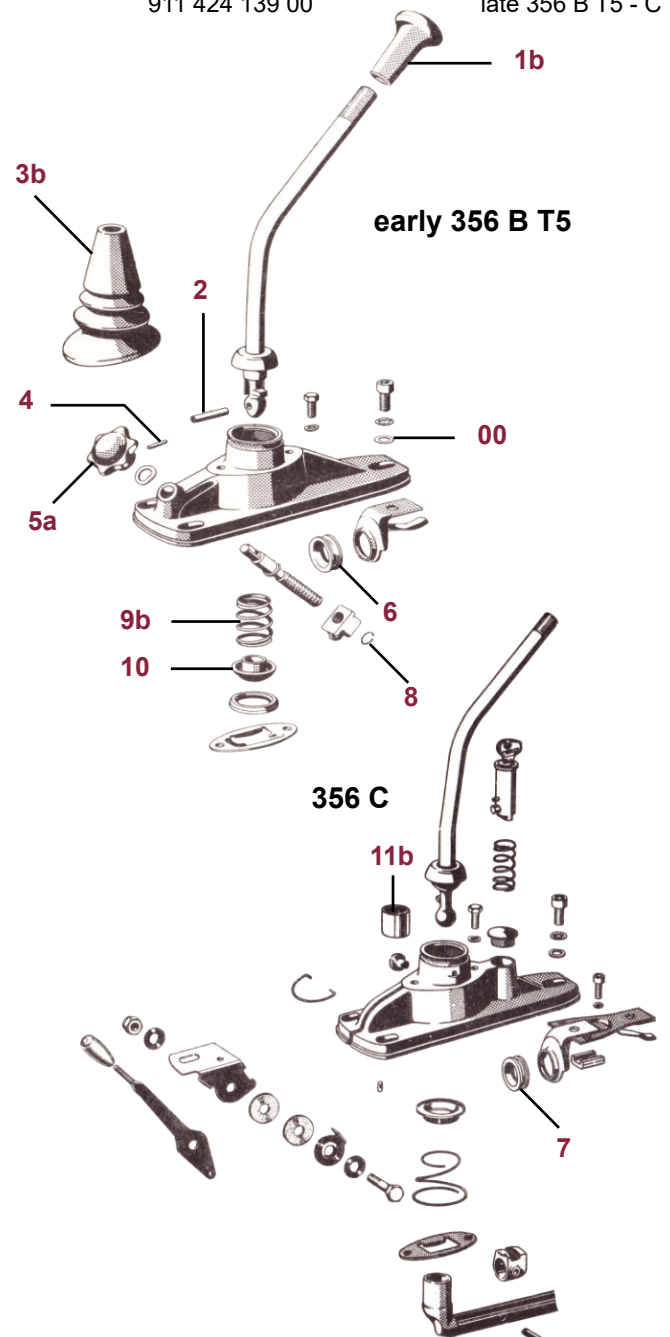
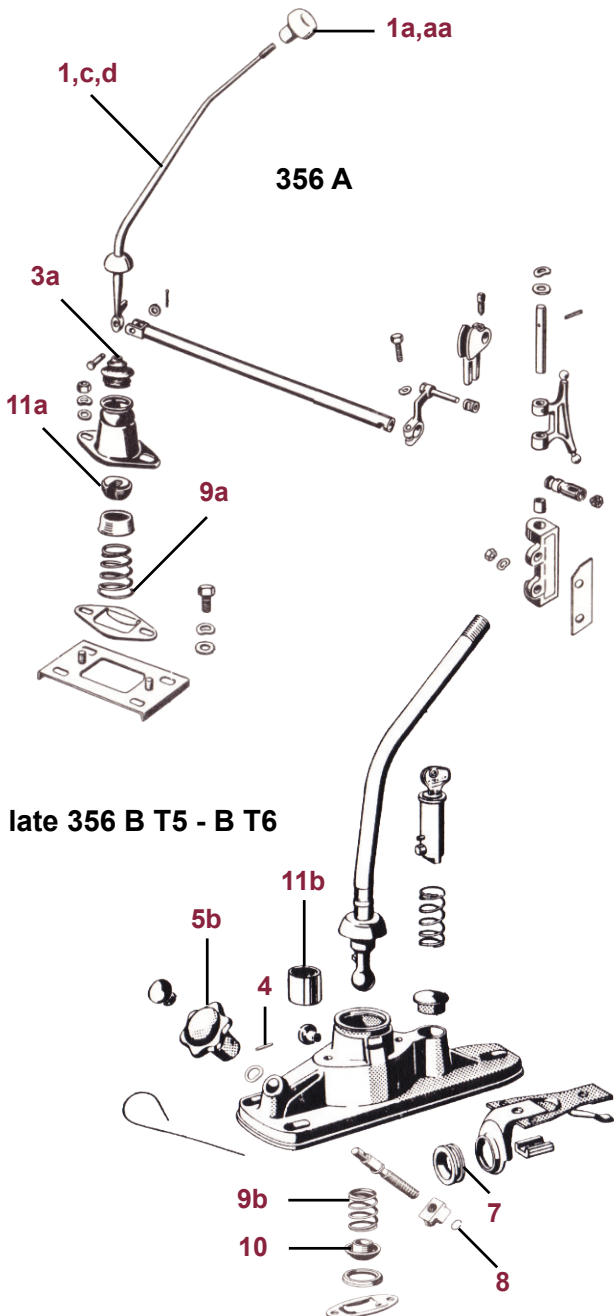
# gear lever gate

*Classic parts*

- 6400 oval washer for shifter base, 3 required
- 6401 gearshift lever
- 6401a knob for gearshift lever, tan
- 6401aa knob for gearshift lever, tan
- 6401b knob for gearshift lever, black
- 6401c gearshift lever
- 6401d gearshift lever
- 6402 roll pin for gearshift lever
- 6403a boot for gearshift lever
- 6403b boot for gearshift lever
- 6404 roll pin
- 6405a heater knob, short
- 6405b heater knob
- 6406 guide ring for gear change rod
- 6407 guide ring for gear change rod
- 6408 spring clip
- 6409a shifter spring
- 6409b shifter spring
- 6410 ball socket
- 6411a plastic locking ball
- 6411b ball socket

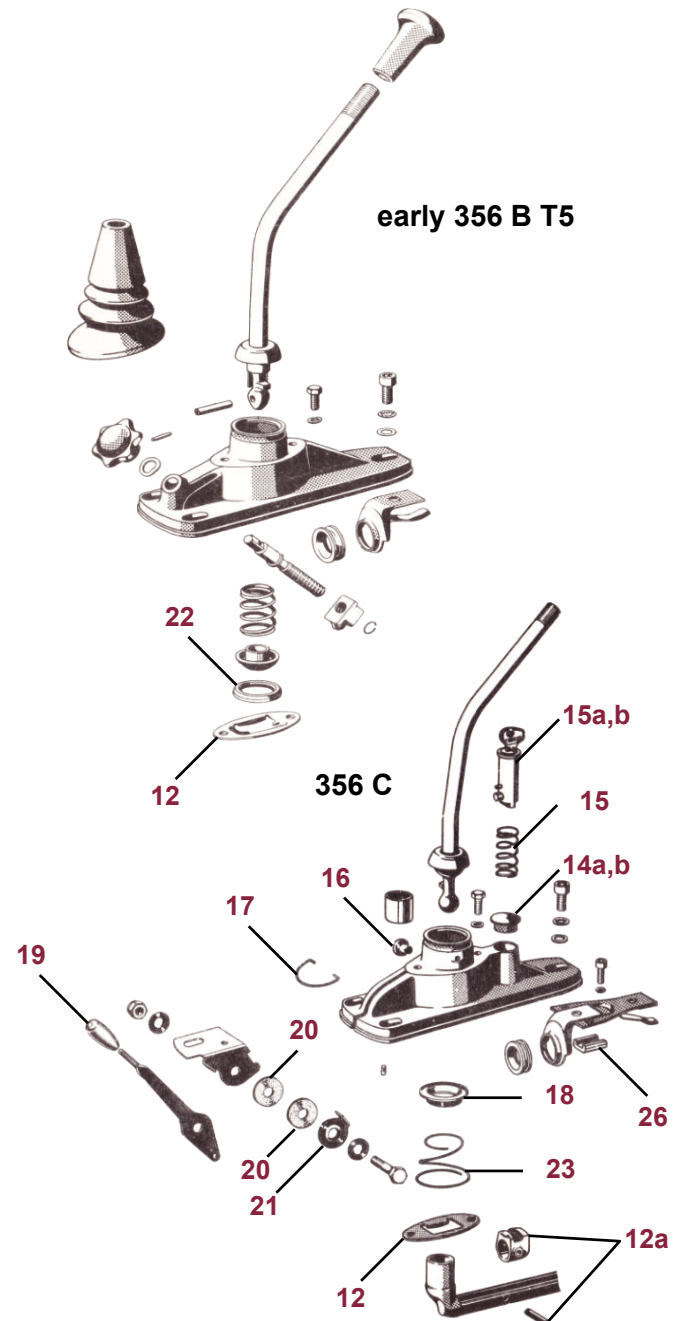
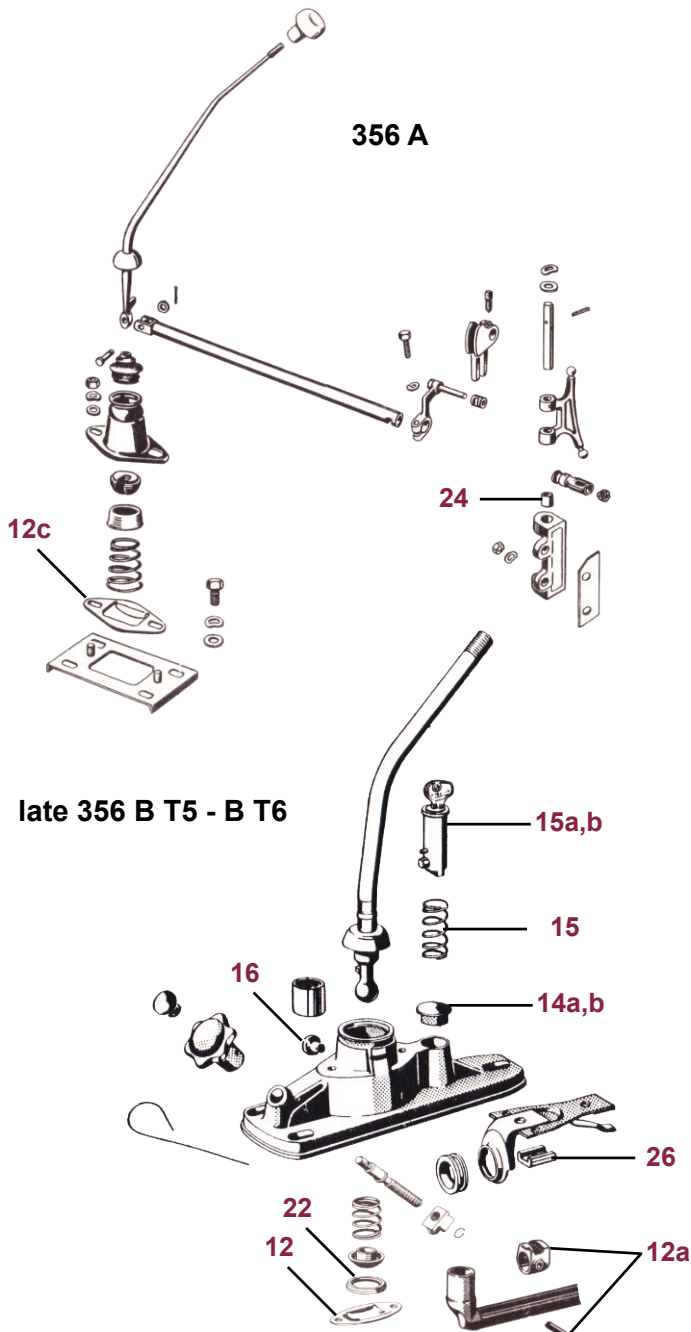
- 695 424 159 00
- 356 24 010
- 644 24 305 500
- 695 424 191 00
- 356 24 115
- 900 197 010 00
- 356 24 306
- 914 424 901 00
- 900 092 001 00
- 644 424 791 00
- 695 424 791 00
- 695 424 211 00
- 695 424 211 01
- 900 116 005 02
- 356 24 127
- 695 424 131 00
- 695 424 133 00
- 356 24 125
- 911 424 139 00

- 356 B/C
- 356 pre A
- 356 A
- 356 pre A
- 356 B/C
- 356 A T1
- 356 A T2
- 356 B T5
- 356 A
- 356 B/C
- late 356 A - B T6
- late 356 A - B T5
- 356 B T6
- 356 B T5
- 356 B T6/C
- 356 B/C
- 356 A
- 356 B
- 356 B
- 356 - A
- late 356 B T5 - C



6412	stop plate
6412a	locking plate for gear lock, with pin
6412b	roll pin for shift lock
6412c	stop plate
6414a	lockout cap for shift lock, early version
6414b	lockout cap for shift lock, late version
6415	lockout spring
6415a	shift lock, with 2 keys, $\varnothing$ 21mm
6415b	shift lock, in exchange
6416	guide pin
6417	spring ring
6418	guide for spring
6419	handle for lever, black
6420	rearing washer, 2 required
6421	plate
6422	cup seat
6423	spring
6424	sliding bushing
6425	shifter linkage bushing
6426	support for guide

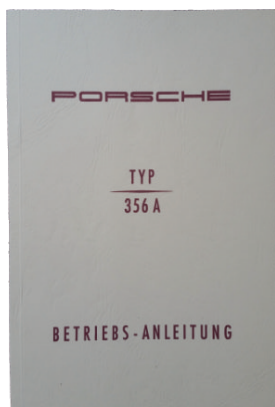
695 424 015 01	356 B/C
695 424 206 01	356 B/C
900 095 022 00	356 B/C
356 24 174	356 A
695 424 251 00	356 B T5
695 424 251 01	356 B T6/C
695 424 231 00	356 B T6/C
695 424 245 01	356 B T6/C
CLP 424 245 01	356 B T6/C
695 424 171 01	356 B T6/C
695 424 173 01	356 B T6/C
695 424 132 00	356 C
695 424 792 00	356 C
911 424 737 00	356 C
911 424 735 04	356 C
695 424 135 00	356 B
914 424 131 00	356 C
644 24 304	356 A
356 24 123	356 pre A
695 424 213 00	356 B/C



6500	spare parts catalogue 1952 - 1955, drivers manual and workshop manual in german language, on USB-stick		356 pre A
6501	spare parts catalogue		356 A, Carrera
6502	spare parts catalogue, and basic catalogue for B T6/C		356 B T5
6503	spare parts catalogue , 1. supplement		356 B T6
6504	spare parts catalogue , 2. supplement		356 C
6505	spare parts catalogue Carrera type 692/3, 3A		1600 GT, Abarth
6506	spare parts catalogue Carrera type 587/1/2		Carrera 2
6507a	workshop manual, reprint in 2 folders, like original		356 A
6508a	workshop manual, reprint in folder, like original		356 B/C
6509	workshop manual		Carrera
6510	Typen, Maße, Toleranzen		356 - 356 C
6511	drivers manual, reprint, in german language		356 A
6511a	drivers manual, reprint, in german language		356 B T5
6512	drivers manual, reprint, in german language		356 B T6
6513	drivers manual, reprint, in german language		356 C
6514	drivers manual, reprint, in german language		356 C Carrera 2
6515a	coloured copy of paint card		356 B
6516	coloured copy of paint card		356 C
6516a	coloured copy of paint card		356 A
6517	toolbag, green, no tools included	644 721 010 00	356 A - B T5
6518	toolbag, grey, no tools included	644 721 010 01	356 B T6
6519	toolbag, black, with 2 closing buckles, no tools included	644 721 010 02 or 644 721 001 90	356 C



10



11



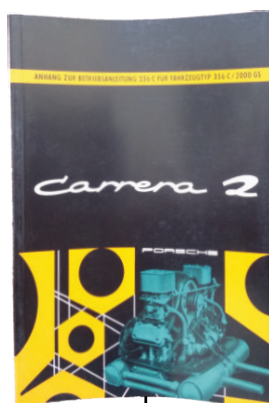
11a



12



13



14



7a



8a



6520c	tool kit, complete with tools, easy reproduction	644 721 001 95	356 C
6520d	generator pulley wrench		Carrera
6520e	generator pulley wrench, black		356 A/B
6520f	generator pulley wrench, zinc plated		356 C, 912
6520g	wheel nut wrench, 19 mm		356 C/SC, 912
6520h	"Messko" tire gauge, chrome version, comes in a red or black leather pouch	644 722 202/203 00	
6520i	tool kit in red canvas bag, perfect reproduction, with „Messko“ tire gauge and hammer, 1950-1953		early 356 pre A
6520j	tool kit in grey vinyl bag, perfect reproduction, with „Messko“ tire gauge, 1954-1955		late 356 pre A
6520k	tool kit, green, perfect reproduction		356 A
6520l	tool kit, blue, perfect reproduction		356 B T5
6520m	tool kit, grey, perfect reproduction		356 B T6
6520n	tool kit, incl. ratchet wrench, perfect reproduction	644 721 001 03	356 C
6520o	jack „Vigot-Bilstein“, with handle	356 72 106 o.	356 A T1
		644 722 010 00	(1956 - 57)
6520p	jack „Bilstein“, with handle	644 722 010 01	356 A T2 - B T5
6520q	jack „Bilstein“, with handle	644 722 010 03	356 B T6/C, 911/912
		644 722 201 00 o.	all 356
6520r	jack top pad „Bilstein“	644 722 010 99	911/912
			all 356
6521	leather key case with embossed „Porsche“ crest, specify colour		550, 718 Spyder
6521a	leather key case with embossed Spyder logo, specify colour		all 356
6521b	leather key case with embossed „Reutter“ logo, red		904
6522	„Porsche 904“ book, editor Heel Verlag, Barth/Albinet/Weigel,		917
6522a	„Porsche 917“ book, editor Heel Verlag, Porsche 917-023		all 356
6523	"A restorers Guide to authenticity", by Dr. B. Johnson, text in english		all 356
6524	„defined, a pictorial guide“, by Dr. B. Johnson, text in english		356 A T2
6525	„Neil's book“, by Neil Goldberg		
6526	leather key case with embossed „Reutter“ logo, specify colour, OEM		all 356
6526a	leather key chain with embossed „Reutter“ logo, specify colour, OEM		all 356



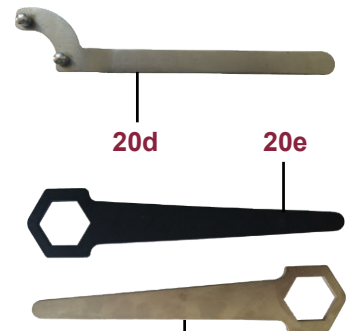
20k



20l



20m



20d

20e

20f



20r

20p

20o

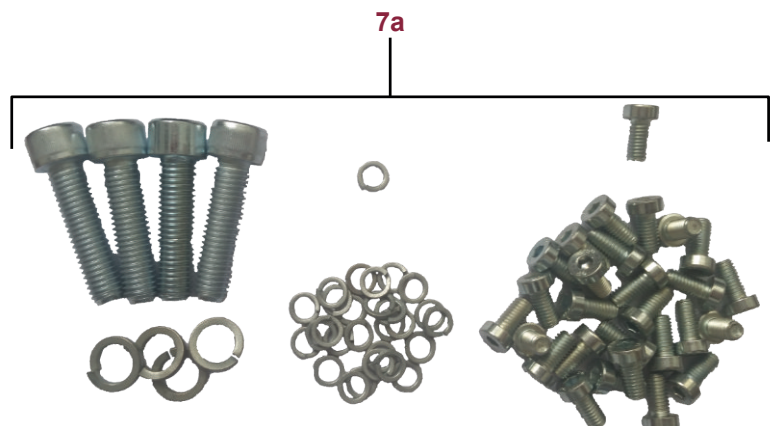
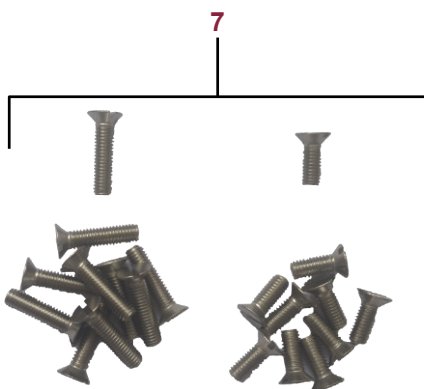
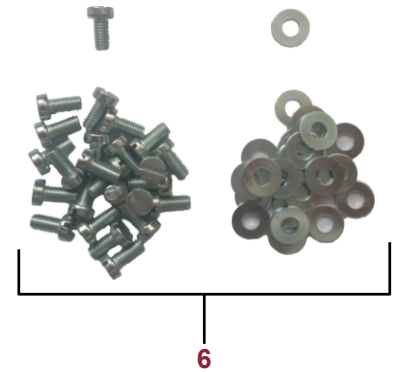
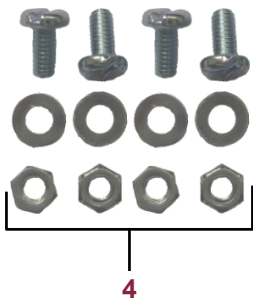
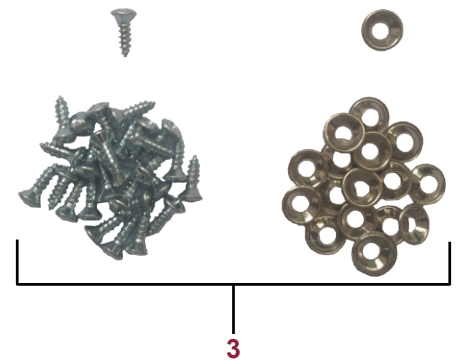
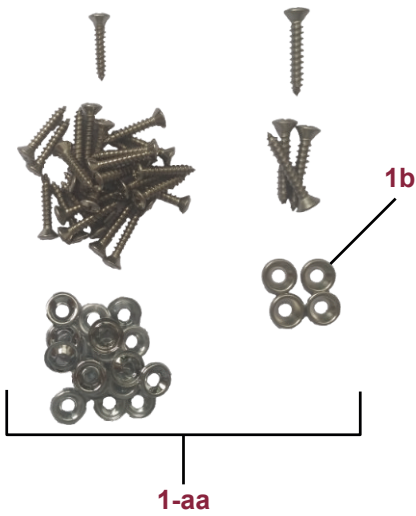


21



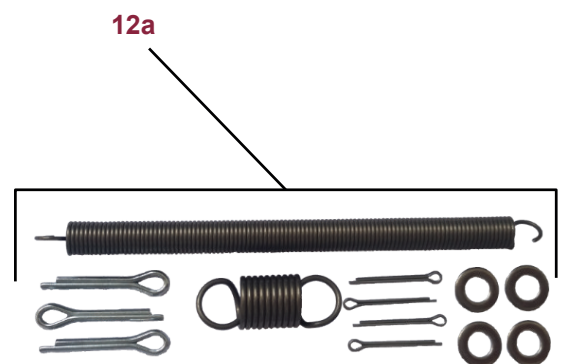
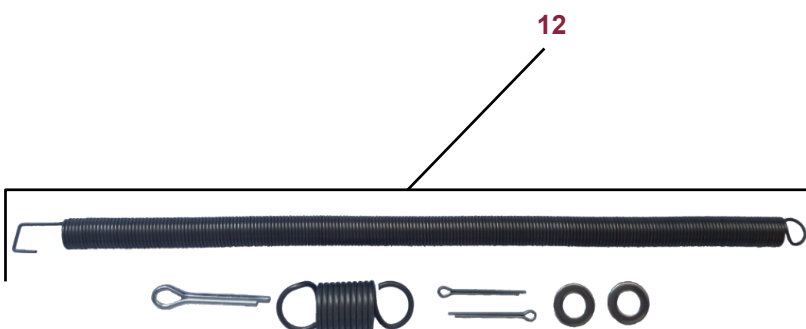
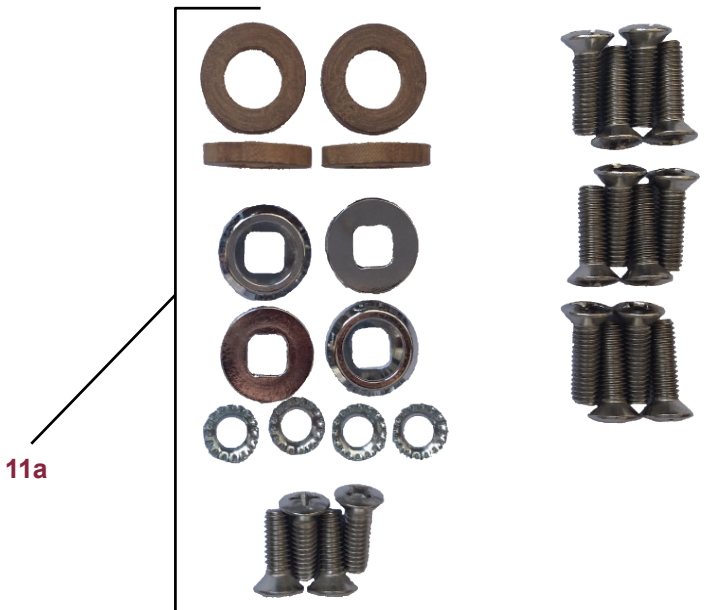
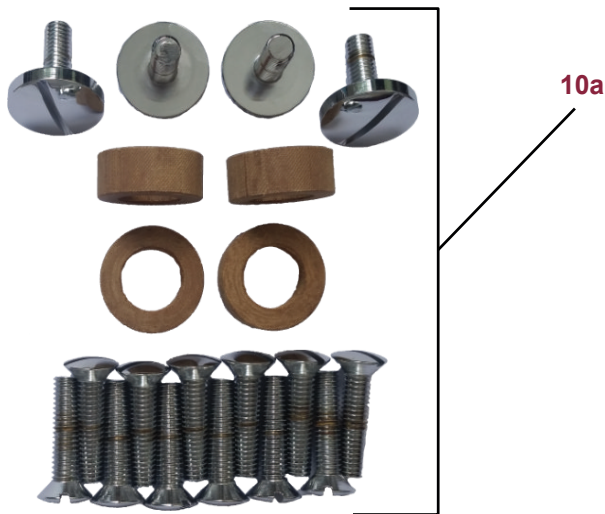
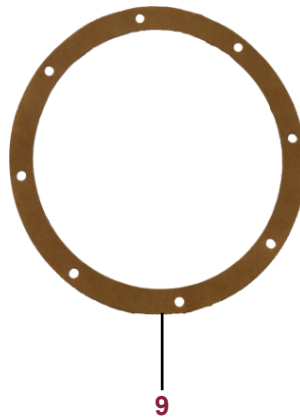
21a

6601	door panel screw set, zinc plated, with washers 64-pieces for both doors, phillips-type	CLP 531 003 00	356 A T2 - C
6601a	door panel screw set, chrome plated, phillips-style DIN 9783, with washers , 64-pieces for both doors	644 531 003 00	356 A T2 - C
6601aa	door panel screw set, chrome plated, slot-style DIN 7973, with washers , 64-pieces for both doors	644 531 003 00	356 - A T1
6601b	chrome washer for door panel screw, 28 required		
6602	screw set for door chrome frame, both sides, stainless steel	CLP 541 005 00	356 A - C Cabrio
6603	hood seal screw set, with washers, 48-pieces	CLP 511 001 00	all 356
6604	screw set for single rear grill, stainless steel	CLP 512 001 00	356 - B T5
6605	screw set for rear grill, for both grilles	CLP 512 002 00	356 B T6/C
6606	engine ducting screw set, 50-pieces, zinc plated	900 014 020 02	all 356
6607	screw set for seat rails, set for one car, zinc plated	CLP 521 007 00	356 - B T5
6607a	screw set for seat rails, 64-pieces, set for one car, zinc plated	CLP 521 008 00	356 B T6/C



- 6708 horn restauration set, for both horns, crest with one hole, without diaphragm gasket
- 6708a horn restauration set, for both horns, crest with two holes, without diaphragm gasket
- 6709 diaphragm gasket, 2 per horn required
- 6710a screw set for seat recliner, 20-pieces, for both seats
- 6711a screw set for seat recliner, 28-pieces, for both seats
- 6711b single screw for seat recliner, chrome plated
- 6712 repair kit for one flapper box, (single flap version), early version
- 6712a repair kit for one flapper box, (double flap version), late version

- CLP 635 003 00 356 A
- CLP 635 001 00 356 B/C
- CLP 701 647 00 356 A - C
- CLP 521 009 99 356 A
- CLP 521 015 00 356 B/C
- 900 148 014 02 356 B/C
- CLP 106 001 00 356 A
- CLP 106 002 00 356B/C





- 6713 screw set for door chrome frame, stainless steel, set for both sides
- 6713a special round head screw for chrome frame, inside the door, 2 required per car
- 6714 screw set for quarter window frame, set for both sides
- 6714a repair kit for quarter windows, set for both sides
- 6714b bolt kit for quarter windows, set for both sides
- 6715 screw set for windshield frame, stainless steel
- 6716 screw set for windshield frame, stainless steel
- 6717 hardware for quarter windows, set for both sides

- CLP 541 004 00 356 B/C Coupe
- 644 542 481 00 o. 356 B/C Coupe
- 900 189 002 02
- CLP 543 001 00 356 A - C
- CLP 543 004 00 356 A - C
- CLP 543 003 00 356 A - C
- CLP 541 040 00 356 A Speedster
- CLP 541 041 00 Convertible D,Roadster
- CLP 543 002 00 356 A - C

